

**TECHNICAL MANUAL**

**ARMY AMMUNITION DATA SHEETS  
SMALL CALIBER AMMUNITION  
FSC 1305**

**DISTRIBUTION STATEMENT A: Approved for public release; distribution is unlimited.**

---

**HEADQUARTERS, DEPARTMENT OF THE ARMY**

**APRIL 1994**

**LIST OF EFFECTIVE PAGES**

INSERT LATEST CHANGED PAGES. DESTROY SUPERSEDED PAGES.

NOTE The portion of the text affected by the changes is indicated by a vertical line in the outer margins of the page. Changes to illustrations are indicated by a vertical line adjacent to the identification number.

Dates of issue for original and changed pages are:

Original . . . . . 0 . . . . . 29 April 1994	Change . . . . . 3 . . . . . 20 November 2000
Change . . . . . 1 . . . . . 30 November 1994	Change . . . . . 4 . . . . . 31 October 2001
Change . . . . . 2 . . . . . 20 December 1996	Change . . . . . 5 . . . . . 6 May 2002

TOTAL NUMBER OF PAGES IN THIS PUBLICATION IS 327, CONSISTING OF THE FOLLOWING:

Page No.	*Change No.	Page No.	*Change No.
Cover.....	0	9-1 thru 9-46.....	0
A .....	5	9-47 and 9-48 .....	2
B.....	3	10-1 thru 10-24.....	0
i .....	5	10-25 and 10-26 .....	2
ii.....	0	11-1 thru 11-22.....	0
iii.....	2	11-23 .....	3
iv thru vi.....	0	11-24 thru 11-32.....	0
1-1 and 1-2.....	0	11-33 and 11-34 .....	2
2-1 thru 2-16 .....	0	12-1 thru 12-8.....	0
2-17 thru 2-22 .....	5	13-1 thru 13-8.....	0
3-1 thru 3-10 .....	0	14-1 thru 14-42.....	0
4-1 thru 4-12 .....	0	15-1 thru 15-12.....	0
5-1 thru 5-24 .....	0	15-13 and 15-14 .....	3
6-1 thru 6-4 .....	0	15-15 and 15-16 .....	4
7-1 thru 7-8 .....	0	16-1 thru 16-10.....	0
8-1 and 8-2.....	0	17-1 thru 17-8.....	0
8-3 thru 8-7 .....	5	18-1 thru 18-16.....	0
8-8 .....	0	18-17 .....	1
8-9 and 8-10.....	5	18-18 .....	0
8-11 thru 8-18 .....	0		

\*Zero in this column indicates an original page

THIS PAGE INTENTIONALLY LEFT BLANK

CHANGE )  
          )  
NO. 5    )

HEADQUARTERS  
DEPARTMENT OF THE ARMY  
WASHINGTON, DC, 6 May 2002

**Army Ammunition Data Sheets  
Small Caliber Ammunition  
FSC 1305**

DISTRIBUTION STATEMENT A - Approved for public release; distribution unlimited.

TM 43-0001-27, 29 April 1994, is changed as follows:

1. File this change sheet in front of the publication for reference purposes.
2. Remove old pages and insert new pages as indicated below.
3. New or changed material is indicated by a vertical bar in the outer margin of the page.
4. Added or revised illustrations are indicated by a vertical bar adjacent to the illustration identification number.

Remove Pages

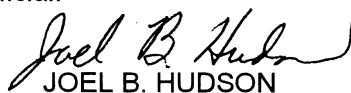
A and B  
i and ii  
None  
8-3 thru 8-10

Insert Pages

A and B  
i and ii  
2-17 thru 2-22  
8-3 thru 8-10

By Order of the Secretary of the Army:

Official:



JOEL B. HUDSON

*Administrative Assistant to the  
Secretary of the Army*

0211909

ERIC K. SHINSEKI  
*General, United States Army  
Chief of Staff*

DISTRIBUTION: To be distributed in accordance with the initial distribution number (IDN) 340847 requirements for TM 43-0001-27.

CHANGE )  
 )  
NO. 4 )

HEADQUARTERS  
DEPARTMENT OF THE ARMY  
WASHINGTON, DC, 31 October 2001

**ARMY AMMUNITION DATA SHEETS**  
for  
**SMALL CALIBER AMMUNITION**  
**(FSC 1305)**

DISTRIBUTION STATEMENT A - Approved for public release; distribution is unlimited.

TM 43-0001-27, 29 April 1994, is changed as follows:

1. File this change sheet in front of the publication for reference purposes.
2. Remove old pages and insert new pages as indicated below.
3. New or changed material is indicated by a vertical bar in the outer margin of the page.

Remove Pages

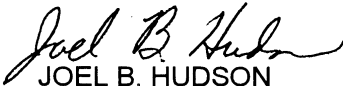
A and B  
15-15 and 15-16

Insert Pages

A and B  
15-15 and 15-16

By Order of the Secretary of the Army:

Official:

  
JOEL B. HUDSON  
*Administrative Assistant to the  
Secretary of the Army*  
0129206

ERIC K. SHINSEKI  
*General, United States Army  
Chief of Staff*

DISTRIBUTION: To be distributed in accordance with the initial distribution number (IDN) 340847 requirements for TM 43-0001-27.

Change )  
 )  
No. 3 )

HEADQUARTERS  
DEPARTMENT OF THE ARMY  
Washington, D.C., 20 November 2000

**ARMY AMMUNITION DATA SHEETS  
FOR  
SMALL CALIBER AMMUNITION  
(FSC 1305)**

DISTRIBUTION STATEMENT A: Approved for public release; distribution is unlimited.

TM 43-0001-27, 29 April 1994, is changed as follows:

1. Remove old pages and insert new pages as indicated below. Changed material is indicated by a vertical bar in the margin of the page. New or changed illustrations are indicated by a black bar adjacent to the identification number.

Remove pages

None  
11-23 and 11-24  
15-13 and 15-14

Insert pages

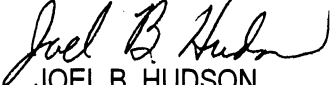
A and B  
11-23 and 11-24  
15-13 and 15-14

File this change sheet in front of the publication for reference purposes.

TM 43-0001-27  
C3

By Order of the Secretary of the Army:

Official:

  
JOEL B. HUDSON  
*Administrative Assistant to the  
Secretary of the Army*

0031903

ERIC K. SHINSEKI  
*General, United States Army  
Chief of Staff*

Distribution:

To be distributed in accordance with IDN 340847, requirements for TM 43-0001-27.

Change )  
 )  
No. 2 )

HEADQUARTERS  
DEPARTMENT OF THE ARMY  
Washington, D.C., 20 December 1996

**ARMY AMMUNITION DATA SHEETS  
FOR  
SMALL CALIBER AMMUNITION  
(FSC 1305)**

DISTRIBUTION STATEMENT A: Approved for public release; distribution is unlimited.

TM 43-0001-27, 29 April 1994, is changed as follows:

1. Remove old pages and insert new pages as indicated below. Changed material is indicated by a vertical bar in the margin of the page. New or changed illustrations are indicated by a black bar adjacent to the identification number.

Remove pages

A and B  
iii and iv  
None  
None  
None

Insert pages

None  
iii and iv  
9-47 and 9-48  
10-25 and 10-26  
11-33 and 11-34

2. File this change sheet in front of the publication for reference purposes.

By Order of the Secretary of the Army:

DENNIS J. REIMER  
General, United States Army  
Chief of Staff

Official: 

JOEL B. HUDSON  
*Administrative Assistant to the  
Secretary of the Army*  
02758

Distribution:

To be distributed in accordance with DA Form 12-34-E, Block 0847, requirements for TM 43-0001-27.



Change )  
          )  
No. 1    )

HEADQUARTERS  
DEPARTMENT OF THE ARMY  
Washington, D.C., 30 November 1994

**ARMY AMMUNITION DATA SHEETS  
FOR  
SMALL CALIBER AMMUNITION  
(FSC 1305)**

TM 43-0001-27, 29 April 1994, is changed as follows:

1. Remove old pages and insert new pages as indicated below. New or changed material is indicated by a vertical bar in the margin of the page. New or changed illustrations are indicated by a black bar adjacent to the identification number.

Remove pages

A and B  
18-17 and 18-18

Insert pages

A and B  
18-17 and 18-18

2. File this change sheet in front of the publication for reference purposes.

By Order of the Secretary of the Army:

GORDON R. SULLIVAN  
General, United States Army  
Chief of Staff

Official:

MILTON H. HAMILTON  
Administrative Assistant to the  
Secretary of the Army

Distribution:

To be distributed in accordance with DA Form 12-34-E, Block 0847, requirements for TM 43-0001-27.

TECHNICAL MANUAL

No. 43-0001-27

HEADQUARTERS  
DEPARTMENT OF THE ARMY  
Washington, DC, 29 April 1994

**ARMY AMMUNITION DATA SHEETS  
SMALL CALIBER AMMUNITION  
FSC 1305**

**REPORTING ERRORS AND RECOMMENDING IMPROVEMENTS**

You can help improve this manual. If you find any mistakes or if you know of a way to improve the procedures, please let us know. Mail your letter or DA Form 2028-2 (Recommended Changes to Equipment Technical Publications) located in the back of this manual directly to Commander, U.S. Army TACOM, Armament Research, Development and Engineering Center, ATTN: AMSTA-AR-WEL-S, Picatinny Arsenal, NJ 07806-5000. You may also send in your recommended changes via electronic mail or by fax. Our e-mail address is LSB@PICA.ARMY.MIL. Our fax number is DSN 880-4633, Commercial (973) 724-4633. A reply will be furnished to you.

	Page
<b>CHAPTER 1. INTRODUCTION</b>	
1-1. Purpose . . . . .	1-1
1-2. Scope . . . . .	1-1
1-3. Key to Abbreviations and Symbols. . . . .	1-1
1-4. Metric Conversion Chart. . . . .	1-2
<b>CHAPTER 2. SHOTGUN CARTRIDGES</b>	
Cartridge, .410, Shotgun, No. M35 . . . . .	2-3
Cartridge, 10 Gage, Shotgun, Blank . . . . .	2-5
Cartridge, 12 Gage, Shotgun, No. 00 . . . . .	2-7
Cartridge, 12 Gage, Shotgun, No. 00, M162. . . . .	2-9
Cartridge, 12 Gage, Shotgun, No. M19. . . . .	2-11
Cartridge, 12 Gage, Shotgun, No. M257. . . . .	2-13
Cartridge, 12 Gage, Shotgun, No. M274. . . . .	2-15
Cartridge, 12 Gage, Shotgun, Non-Lethal: Point Control, M1012. . . . .	2-17
Cartridge, 12 Gage, Shotgun, Non-Lethal: Crowd Dispersal, M1013 . . . . .	2-19
Cartridge, 12 Gage, Shotgun: Breaching, M1030 . . . . .	2-21
<b>CHAPTER 3. CALIBER .22 CARTRIDGES</b>	
Cartridge, Caliber .22, Ball, Long Rifle . . . . .	3-3
Cartridge, Caliber .22, Ball, Long Rifle, M24. . . . .	3-5
Cartridge, Caliber .22, Ball, Hornet, M65 . . . . .	3-7
Cartridge, Caliber .22, Tracer, Long Rifle, M861 . . . . .	3-9
<b>CHAPTER 4. CALIBER .30 CARBINE CARTRIDGES</b>	
Cartridge, Caliber .30, Carbine, Ball, M1 . . . . .	4-3
Cartridge, Caliber .30, Carbine, Grenade, M6. . . . .	4-5
Cartridge, Dummy, Caliber .30, Carbine, M13 . . . . .	4-7
Cartridge, Caliber .30, Carbine, Ball, High Pressure Test, M18 . . . . .	4-9
Cartridge, Caliber .30, Carbine, Tracer, M27 . . . . .	4-11

\*This manual supersedes TM 43-0001-27, 29 June 1981, including all changes.

	Page
CHAPTER 5.	CALIBER .30 RIFLE AND MACHINE GUN CARTRIDGES
	Cartridge, Caliber .30, Ball, High Pressure Test, M1 ..... 5-3
	Cartridge, Caliber .30, Tracer, M11..... 5-5
	Cartridge, Caliber .30, Armor Piercing, M2 ..... 5-7
	Cartridge, Caliber .30, Ball, M2..... 5-9
	Cartridge, Caliber .30, Grenade, M3 ..... 5-11
	Cartridge, Caliber .30, Armor Piercing Incendiary, M14 ..... 5-13
	Cartridge, Caliber .30, Ball, Frangible, M22 ..... 5-15
	Cartridge, Caliber .30, Tracer; M25..... 5-17
	Cartridge, Dummy, Caliber .30, M40..... 5-19
	Cartridge, Caliber .30, Ball, Match, M72 ..... 5-21
	Cartridge, Caliber .30, Blank, M1909 ..... 5-23
CHAPTER 6.	CALIBER .32 CARTRIDGES
	Cartridge, Caliber .32, Ball ..... 6-3
CHAPTER 7.	CALIBER .38 CARTRIDGES
	Cartridge, Caliber .38, Ball ..... 7-3
	Cartridge, Caliber .38, Ball, Special, M41 ..... 7-5
	Cartridge, Caliber .38, Wad Cutter ..... 7-7
CHAPTER 8.	CALIBER .45 CARTRIDGES
	Cartridge, Caliber .45, Wad Cutter..... 8-3
	Cartridge, Caliber .45, Ball, High Pressure Test, M1 ..... 8-5
	Cartridge, Caliber .45, Blank, M9..... 8-7
	Cartridge, Caliber .45, Tracer, M26..... 8-9
	Cartridge, Caliber .45, Line Throwing, M32..... 8-11
	Cartridge, Caliber .45, Ball, M1911 ..... 8-13
	Cartridge, Caliber .45, Ball, Match, M1911 ..... 9-15
	Cartridge, Dummy, Caliber .45, M1921..... 8-17
CHAPTER 9.	CALIBER .50 CARTRIDGES
	Cartridge, Caliber .50, Ball, High Pressure Test, M1 ..... 9-3
	Cartridge, Caliber .50, Blank, M1 ..... 9-5
	Cartridge, Caliber .50, Incendiary, M1..... 9-7
	Cartridge, Caliber .50, Tracer, M1 ..... 9-9
	Cartridge, Caliber .50, Blank, M1A1..... 9-11
	Cartridge, Caliber .50, Ball, M2..... 9-13
	Cartridge, Caliber .50, Ball, Armor Piercing, M2..... 9-15
	Cartridge, Dummy, Caliber .50, M2..... 9-17
	Cartridge, Caliber .50, Ball, Armor Piercing Incendiary, M8 ..... 9-19
	Cartridge, Caliber .50, Tracer M10..... 9-21
	Cartridge, Caliber .50, Tracer; M17..... 9-23
	Cartridge, Caliber .50, Ball, Armor Piercing Incendiary-Tracer, M20 ..... 9-25
	Cartridge, Caliber .50, Incendiary, M23..... 9-27
	Cartridge, Caliber .50, Ball, M33..... 9-29
	Cartridge, Caliber .50, Ball, Spotter-Tracer, M48A1 ..... 9-31
	Cartridge, Caliber .50, Ball, Spotter-Tracer, M48A2 ..... 9-33
	Cartridge, Caliber .50, Ball, Plastic Practice, M858 ..... 9-35
	Cartridge, Caliber .50, Tracer, Plastic Practice, M860 ..... 9-37

	Page
CHAPTER 9.	CALIBER .50 CARTRIDGES - Continued
	Cartridge, Caliber .50, Saboted Light Armor Penetrator (SLAP), M903..... 9-39
	Cartridge, Caliber .50, Saboted Light Armor Penetrator-Tracer (SLAP-T), M962..... 9-41
	Cartridge, Caliber .50, Ball, Practice, T249E2..... 9-43
	Cartridge, Caliber .50, Ball, High Pressure Test, T251..... 9-45
	Cartridge, Caliber .50: Armor Piercing Incendiary (API), MK 211 MOD 0..... 9-47
CHAPTER 10.	5.56MM CARTRIDGES
	Cartridge, 5.56mm, Ball, M193..... 10-3
	Cartridge, 5.56mm, Grenade, M195..... 10-5
	Cartridge, 5.56mm, Tracer, M196..... 10-7
	Cartridge, 5.56mm, High Pressure Test, M197..... 10-9
	Cartridge, Dummy, 5.56mm, M199..... 10-11
	Cartridge, 5.56mm, Blank, M200..... 10-13
	Cartridge, Dummy, 5.56mm, M232..... 10-15
	Cartridge, 5.56mm, Blank, M755..... 10-17
	Cartridge, 5.56mm, Ball, M855..... 10-19
	Cartridge, 5.56mm, Tracer, M856..... 10-21
	Cartridge, 5.56mm, Plastic, Practice, M862..... 10-23
	Cartridge, 5.56mm, Armor Piercing (AP), M995..... 10-25
CHAPTER 11.	7.62MM CARTRIDGES
	Cartridge, 7.62mm, Ball, M59..... 11-3
	Cartridge, 7.62mm, High Pressure Test, M60..... 11-5
	Cartridge, 7.62mm, Armor Piercing, M61..... 11-7
	Cartridge, 7.62mm, Tracer, M62..... 11-9
	Cartridge, 7.62mm, Tracer, M62 (Overhead Fire Mission)..... 11-11
	Cartridge, Dummy, 7.62mm, M63..... 11-13
	Cartridge, 7.62mm, Grenade, M64..... 11-15
	Cartridge, 7.62mm, Ball, M80..... 11-17
	Cartridge, 7.62mm, Ball, M80 (Overhead Fire Application)..... 11-19
	Cartridge, 7.62mm, Blank, M82..... 11-21
	Cartridge, 7.62mm, Ball, Special, M118..... 11-23
	Cartridge, 7.62mm, Frangible, M160..... 11-25
	Cartridge, Dummy, 7.62mm, M172..... 11-27
	Cartridge, 7.62mm, Dim Tracer, M276..... 11-29
	Cartridge, 7.62mm, Match, M852..... 11-31
	Cartridge, 7.62mm: Armor Piercing (AP), M993..... 11-33
CHAPTER 12.	9MM CARTRIDGES
	Cartridge, 9mm, Ball..... 12-3
	Cartridge, 9mm, Ball, NATO, M882..... 12-5
	Cartridge, 9mm, High Pressure Test, M905..... 12-7
CHAPTER 13.	14.5MM CARTRIDGES
	Cartridge, 14.5mm, Trainer-Spotter, M181A1..... 13-3
	Cartridge, 14.5mm, Trainer-Spotter, M182A1..... 13-5
	Cartridge, 14.5mm, Trainer-Spotter, M183A1..... 13-7

CHAPTER 14.	20MM CARTRIDGES	
	Cartridge, Dummy, 20mm, M51A2 .....	14-3
	Cartridge, 20mm, Armor Piercing Incendiary-Tracer, M52E1 .....	14-5
	Cartridge, 20mm, Armor Piercing Incendiary, M53.....	14-7
	Cartridge, 20mm, Ball, High Pressure Test, M54A1 .....	14-9
	Cartridge, 20mm, Target Practice, M55A2 .....	14-11
	Cartridge, 20mm, High Explosive Incendiary, M56A3/M56A4 .....	14-13
	Cartridge, 20mm, Armor Piercing-Tracer, M95 .....	14-15
	Cartridge, 20mm, Incendiary, M96 .....	14-17
	Cartridge, 20mm, High Explosive Incendiary, M97A2 .....	14-19
	Cartridge, 20mm, Target Practice, M99A1 .....	14-21
	Cartridge, 20mm, Target Practice, M204 .....	14-23
	Cartridge, 20mm, Target Practice-Tracer, M206A1.....	14-25
	Cartridge, 20mm, High Explosive Incendiary, M210 .....	14-27
	Cartridge, 20mm, Target Practice-Tracer, M220 .....	14-29
	Cartridge, 20mm, High Explosive Incendiary-Tracer, M242/M242A1 .....	14-31
	Cartridge, 20mm, High Explosive Incendiary-Tracer, Self-Destroying, M246/M246A1 .....	14-33
	Cartridge, Dummy, 20mm, XM254.....	14-35
	Cartridge, 20mm, High Explosive Incendiary-Tracer, M599 Fuze Point-Detonating Self-Destroying M594 .....	14-37
	Cartridge, 20mm, Armor Piercing Incendiary-Tracer, M601 .....	14-39
	Cartridge, 20mm, Multipurpose Trace Self-Destroying, M940 .....	14-41
CHAPTER 15.	25MM CARTRIDGES	
	Cartridge, 25mm, Armor Piercing Discarding Sabot-Tracer, M791 .....	15-3
	Cartridge, 25mm, High Explosive Incendiary-Tracer, M792 With Fuze Point-Detonating Self-Destroying M758 .....	15-5
	Cartridge, 25mm, Target Practice-Tracer, M793.....	15-7
	Cartridge, 25mm, Dummy, M794.....	15-9
	Cartridge, 25.4mm, Decoy, M839 .....	15-11
	Cartridge, 25mm, Target Practice Discarding Sabot-Target, M910 .....	15-13
	Cartridge, 25mm, Armor Piercing Fin Stabilized Discarding Sabot- Tracer, M919.....	15-15
CHAPTER 16.	30MM CARTRIDGES	
	Cartridge, 30mm, Target Practice, M788 .....	16-3
	Cartridge, 30mm, High Explosive Dual Purpose, M789.....	16-5
	Cartridge, 30mm, Dummy, M848.....	16-7
	Cartridge, 30mm, Test, M883 .....	16-9
CHAPTER 17.	POINT-DETONATING FUZES	
	Fuze, Point-Detonating: M505A3 .....	17-3
	Fuze, Point-Detonating, Self-Destroying: M758 .....	17-5
	Fuze, Point-Detonating: M759 (XM714E6).....	17-7

	Page
CHAPTER 18. ACCESSORIES	
General .....	18-1
Accessories for Cartridges, Caliber .50 .....	18-3
Accessories for Cartridges, 5.56mm .....	18-5
Accessories for Cartridges, 7.621m .....	18-7
Accessories for Cartridges, 201nm .....	18-9
Accessories for Cartridges, 25mm .....	18-13
Accessories for Cartridges, 30mm .....	18-15

**THIS PAGE INTENTIONALLY LEFT BLANK**

**CHAPTER 1  
INTRODUCTION**

**1-1. PURPOSE**

This manual is a reference handbook published as an aid in planning, training, familiarization and identification of small arms ammunition, ranging from 22 caliber through 30 millimeter and shotgun ammunition from .410 to 10 gage. This is the Federal Supply Class 1305. Operating instructions are contained in the appropriate weapons manuals.

**1-2. SCOPE**

a. For each item of materiel, there are illustrations and descriptions together with characteristics and related data. Included in the related data are weights, dimensions, performance data, shipping and storage data, type classification, and logistics control code (LCC). Refer to SC 1305/30-IL for weight, dimensions and cube of packing boxes for small arms ammunition.

b. Information concerning supply, operation, and maintenance of the items will be found in the publications referenced for those items. A complete listing of these publications is maintained in DA Pam 310 series indexes.

c. Within this manual, items with the following type classifications are included:

- (1) Standard (STD)
- (2) Contingency (CON)
- (3) Limited Procurement (LP)
- (4) Reclassified obsolete (OBS) for regular Army use, but used by National Guard or Reserve Units.
- (5) Reclassified . OBS for all Army use, but used by Marine Corps, Air Force or Navy.
- (6) Reclassified OBS, no users, but U.S. stocks remain.

d. Items with the following type classification are not included: Reclassified OBS for all U.S. use. No U.S. stocks remain. (Foreign use or stock may remain.)

e. Numerical values, such as weights, dimensions, candlepower, etc., are nominal values, except when

specified as maximum or minimum. Actual items may vary slightly from these values. Allowable limits can be obtained from the drawings indicated in the data sheets.

**1-3. KEY TO ABBREVIATIONS AND SYMBOLS**

A .....	Army
AF .....	Air Force
band.....	bandoleer
belt .....	linked ammo (cloth or metal)
bx .....	box
cal .....	caliber
cm .....	centimeter(s)
comm .....	commercial
ctg .....	cartridge
ctn .....	carton
DODIC .....	Department of Defense Identification Code
DODAC .....	Department of Defense Ammunition Code
ft .....	foot/feet
fps.....	feet per second
g .....	gram(s)
gr .....	grain(s)
GSA .....	General Services Administra- tion
H .....	Height
in.....	inch(es)
L .....	Length
m .....	meter(s)
MBR.....	Meet Ballistic Requirement
MC.....	Marine Corps
mm .....	millimeter(s)
MPa .....	Mega Pascal
mps .....	meters per second
mtl bx .....	metal box
mtl lnd bx .....	metal lined box
N .....	Navy
NATO.....	North Atlantic Treaty Organization
SCG .....	Storage Compatibility Group
psi.....	pounds per square inch
W .....	Width
wdn bx .....	wooden box
wrbnd bx .....	wirebound box
yd .....	yard(s)



**1-4. METRIC CONVERSION CHART**

For approximate conversions to/from metric measures see table 1-1.

**Table 1-1. Metric Conversion Chart**

Approximate Conversions to Metric Measures

Symbol	When You Know	Multiply By	To Find	Symbol
--------	---------------	-------------	---------	--------

**LENGTH**

in.	inches	2.5	centimeters	cm
ft	feet	30	centimeters	cm
yd	yards	0.9	meters	m
mi	miles	1.	kilometers	km

**AREA**

in <sup>2</sup>	square inches	6.5	square centimeters	cm <sup>2</sup>
ft <sup>2</sup>	square feet	0.09	square meters	m <sup>2</sup>
yd <sup>2</sup>	square yards	0.8	square meters	m <sup>2</sup>
mi <sup>2</sup>	square miles	2.6	square kilometers	km <sup>2</sup>
	acres	0.4	hectares	ha

**WEIGHT**

oz	ounces	28	grams	g
lb	pounds	0.45	kilograms	kg
	short tons (2000 lb)	0.9	tonnes	t

**VOLUME**

tsp	teaspoons	5	milliliters	ml
Tbsp	tablespoons	15	milliliters	ml
fl oz	fluid ounces	30	milliliters	ml
c	cups	0.24	liters	l
pt	pints	0.47	liters	l
qt	quarts	0.95	liters	l
gal	gallons	3.8	liters	l
ft <sup>3</sup>	cubic feet	0.03	cubic meters	m <sup>3</sup>
yd <sup>3</sup>	cubic yards	0.70	cubic meters	m <sup>3</sup>

**TEMPERATURE**

Symbol	When You Know	Subtract	Multiply By	To Find	Symbol
°F	Fahrenheit	32	0.55	Celsius	°C

Approximate Conversions from Metric Measures

Symbol	When You Know	Multiply By	To Find	Symbol
--------	---------------	-------------	---------	--------

**LENGTH**

mm	millimeters	0.04	inches	in.
cm	centimeters	0.4	inches	in.
m	meters	3.3	feet	ft
m	meters	1.1	yards	yd
km	kilometers	0.6	miles	mi

**AREA**

cm <sup>2</sup>	square centimeters	0.16	square inches	in <sup>2</sup>
m <sup>2</sup>	square meters	1.2	square yards	yd <sup>2</sup>
km <sup>2</sup>	square kilometers	0.4	square miles	mi <sup>2</sup>
ha	hectares (10,000 m <sup>2</sup> )	2.5	acres	

**WEIGHT**

g	grams	0.035	ounces	oz
kg	kilograms	2.2	pounds	lb
t	tonnes (1000 kg)	1.1	short tons	

**VOLUME**

ml	milliliters	0.03	fluid ounces	fl oz
l	liters	2.1	pints	pt
l	liters	1.06	quarts	qt
l	liters	0.26	gallons	gal
m <sup>3</sup>	cubic meters	35	cubic feet	ft <sup>3</sup>
m <sup>3</sup>	cubic meters	1.3	cubic yards	yd <sup>3</sup>

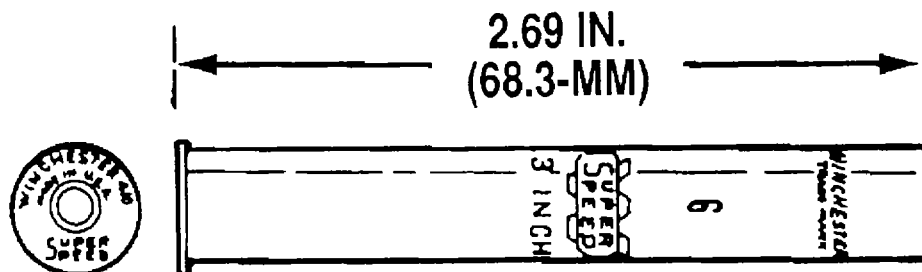
**TEMPERATURE**

Symbol	When You Know	Multiply By	Add	To Find	Symbol
°C	Celsius	1.8	32	Fahrenheit	°F

**CHAPTER 2**  
**SHOTGUN CARTRIDGES**

**THIS PAGE INTENTIONALLY LEFT BLANK**

CARTRIDGE, .410, SHOTGUN, NO. M35



U  
AR 5886

**Type Classification:**

OBS - MSR 11756003.

**Use:**

Rifle/Shotgun, Caliber .22/.410 Bore, Survival, M6. The cartridge is intended for use in survival weapons against small game.

**Description:**

The cartridge case is all aluminum, and is loaded with smokeless powder and No. 6 copper-coated lead shot.

**Tabulated Data:**

DODAC.....1305-A055  
 UNO serial number .....0012  
 UNO proper shipping name .....Cartridges for weapons, inert projectile  
 Weight .....430 gr  
 Length.....2.69 in. (68.3 mm)  
 Tracer .....NA  
 Primer .....Percussion  
 Fuze.....NA

**Explosive:**

Type .....NA  
 Weight.....NA

**Incendiary:**

Type .....NA  
 Weight.....NA

**Propellant:**

Type .....Smokeless powder  
 Weight.....7 gr

**Performance:**

Chamber pressure.....13,000 psi  
 Velocity.....960 fps, 3 ft from muzzle

**Shipping and Storage Data:**

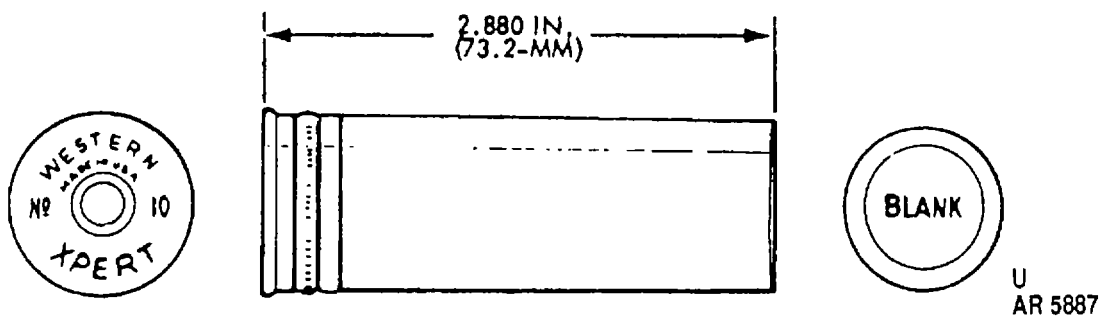
Quantity-distance class/  
 SCG.....1.4S  
 Storage code.....Class V  
 DOT shipping class .....C  
 DOT designation .....SMALL ARMS AMMUNITION  
 Drawing number.....7553403

**References:**

SB 700-20  
 TM 9-1300-206

THIS PAGE INTENTIONALLY LEFT BLANK

**CARTRIDGE, 10 GAGE, SHOTGUN, BLANK**



**Type Classification:**

STD - OTCM 36524.

**Use:**

This is an optional use item for reveille and retreat salutes, and is fired in the 3-inch gun, 75mm gun, 75mm howitzer, or 105mm howitzer.

**Description:**

The cartridge is similar to standard shotgun cartridges but it contains no lead shot. It has a paper cartridge case. The forward closing disc is marked "BLANK."

**Function:**

The cartridge is designed to produce a noise when initiated. It is used as a salute item in large caliber weapons. The blank is inserted either in a prepared cartridge case or in a breech block of the weapon being used.

**Tabulated Data:**

DODAC.....1305-A010  
 UNO serial number .....0014  
 UNO proper shipping  
 name .....Cartridges for  
 weapons, blank  
 Weight .....290 gr

Length.....2.88 in. (73.2 mm)  
 Tracer .....NA  
 Primer.....Percussion  
 Fuze.....NA  
 Explosive:  
 Type .....NA  
 Weight.....NA  
 Incendiary:  
 Type .....NA  
 Weight.....NA  
 Propellant:  
 Type ..... Black powder  
 Weight.....8 g

**Performance:**

Chamber pressure .....NA  
 Velocity.....NA

**Shipping and Storage Data:**

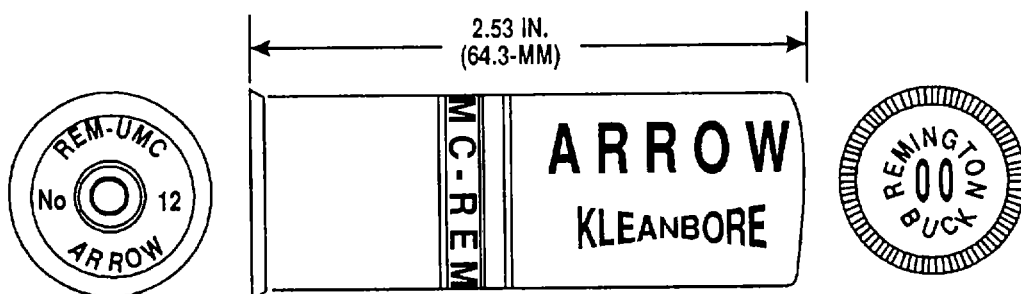
Quantity-distance class/  
 SCG.....1.4S  
 Storage code .....Class V  
 DOT shipping class .....C  
 DOT designation .....SMALL ARMS  
 AMMUNITION  
 Drawing number .....10524632

**References:**

SB 700-20  
 TM 9-1300-206

**THIS PAGE INTENTIONALLY LEFT BLANK**

CARTRIDGE, 12 GAGE, SHOTGUN, NO. 00



U  
AR 5892

**Type Classification:**

STD - OTCM 36841.

**Use:**

Military issue shotgun, 2-3/4 inch chamber. The cartridge is intended for guard and combat use.

**Description:**

The cartridge case is paper, and is loaded with smokeless powder and No. 00 commercial shot.

**Tabulated Data:**

DODAC.....1305-A011  
 UNO serial number .....0012  
 UNO proper shipping name .....Cartridges for weapons, inert projectile  
 Weight .....791 gr  
 Length.....2.53 in. (64.3 mm)  
 Tracer .....NA  
 Primer.....Percussion  
 Fuze.....NA  
 Explosive:  
 Type .....NA

Weight ..... NA  
 Incendiary:  
 Type .....NA  
 Weight..... NA  
 Propellant:  
 Type .....Smokeless powder  
 Weight..... MBR

**Performance:**

Chamber pressure.....11,000 psi  
 Velocity .....1325 fps, 3 ft from muzzle

**Shipping and Storage Data:**

Quantity-distance class/  
 SCG.....1.4S  
 Storage code.....Class V  
 DOT shipping class .....C  
 DOT designation .....SMALL ARMS AMMUNITION  
 Drawing number.....7553929

**References:**

SB 700-20  
 TM 9-1005-303-14  
 TM 9-1300-206

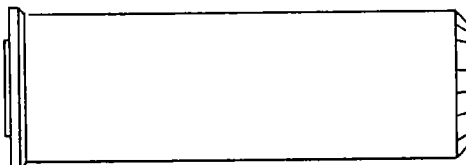
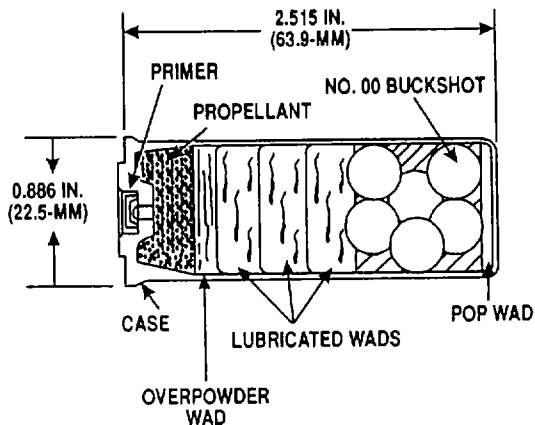


**THIS PAGE INTENTIONALLY LEFT BLANK**





**CARTRIDGE, 12 GAGE, SHOTGUN, NO. M19**



U  
AR 5888

**Type Classification:**

STD - OTCM 36841.

**Use:**

Military issue shotgun, 2-3/4 inch chamber. The cartridge is intended for guard and combat use.

**Description:**

The cartridge case is all brass, and is loaded with smokeless powder and No. 00 commercial shot.

**Tabulated Data:**

DODAC.....1305-A011  
 UNO serial number .....0012  
 UNO proper shipping  
 name .....Cartridges for  
 weapons, inert  
 projectile  
 Weight .....930 gr  
 Length .....2.515 in. (63.9  
 mm)

Tracer .....NA  
 Primer.....Percussion  
 Fuze.....NA  
 Explosive:  
 Type .....NA  
 Weight.....NA  
 Incendiary:  
 Type .....NA  
 Weight.....NA  
 Propellant:  
 Type .....Smokeless powder  
 Weight .....26 gr

**Performance:**

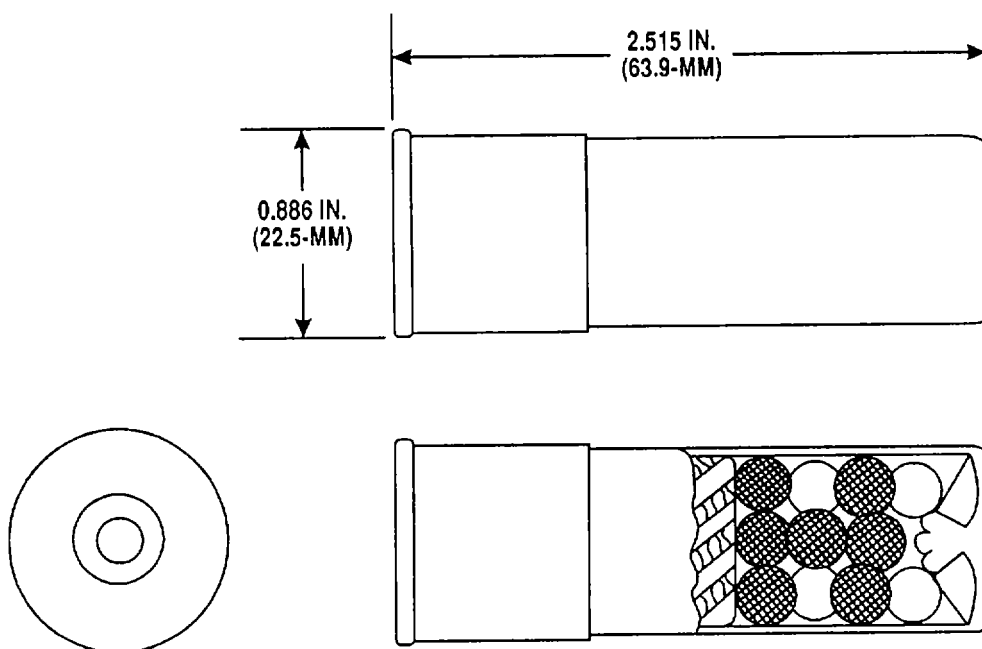
Chamber pressure .....11,000 psi  
 Velocity .....1125 fps, 3 ft from  
 muzzle

**Shipping and Storage Data:**

Quantity-distance class/  
 SCG.....1.4S  
 Storage code ..... Class V



**CARTRIDGE, 12 GAGE, SHOTGUN, NO. M257**



U  
AR 5889

**Type Classification:**

Terminated - MSR 08752013.

**Use:**

Military issue shotgun, 20-inch full choke barrel. The cartridge is intended for guard duty and for riot control weapons.

**Description:**

The cartridge case is plastic, and is loaded with smokeless powder and No. 4 hard lead antimony pellets.

**Tabulated Data:**

DODAC .....1305-A011  
 UNO serial number .....0012  
 UNO proper shipping  
 name .....Cartridges for  
 weapons, inert  
 projectile  
 Weight .....748 gr  
 Length.....2.515 in.

(63.9 mm)  
 Tracer .....NA  
 Primer.....Percussion  
 Fuze.....NA  
 Explosive:  
 Type .....NA  
 Weight.....NA  
 Incendiary:  
 Type .....NA  
 Weight.....NA  
 Propellant:  
 Type .....Smokeless powder  
 Weight.....MBR

**Performance:**

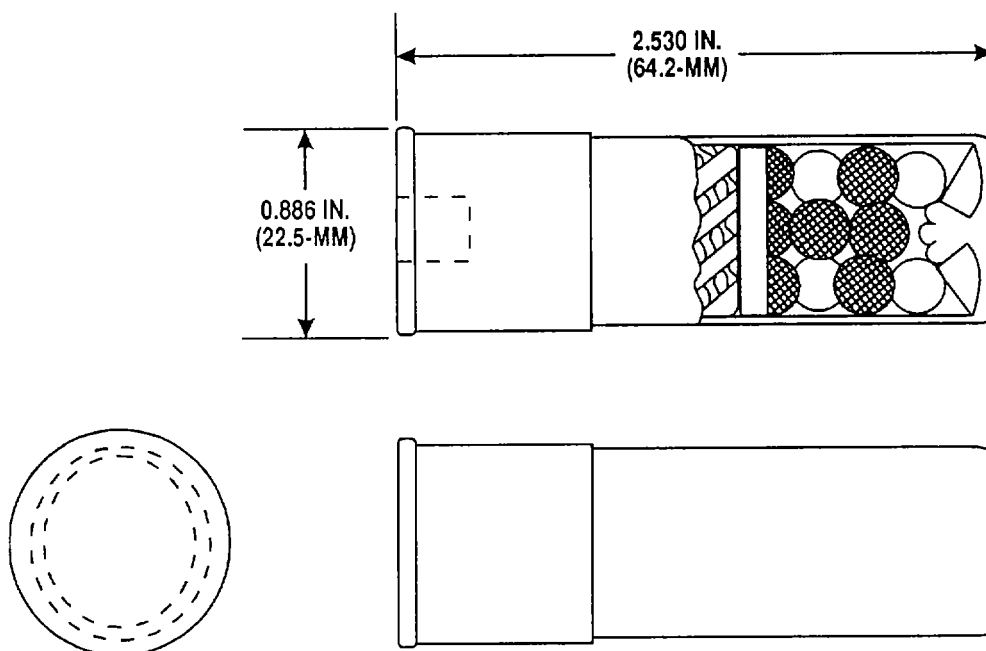
Chamber pressure.....11,000 psi  
 Velocity .....1335 fps, 3 ft from  
 muzzle

**Shipping and Storage Data:**

Quantity-distance class/  
 SCG.....1.4S  
 Storage code.....Class V



**CARTRIDGE, 12 GAGE, SHOTGUN, NO. M274**



U  
AR 5890

**Type Classification:**

OBS - MSR 11756003.

**Use:**

Military issue, riot-type shotgun, 20-inch barrel cylinder bore. The cartridge is intended for use against small game and for riot control weapons.

**Description:**

The cartridge case may be paper or plastic, and is loaded with smokeless powder and No. 4 hard chilled shot.

**Tabulated Data:**

DODAC.....1305-A011  
 UNO serial number .....0012  
 UNO proper shipping  
 name .....Cartridges for  
 weapons, inert  
 projectile

Weight .....740 gr  
 Length.....2.53 in. (64.2 mm)  
 Tracer .....NA  
 Primer.....Percussion  
 Fuze.....NA  
 Explosive:  
 Type .....NA  
 Weight.....NA  
 Incendiary:  
 Type .....NA  
 Weight.....NA  
 Propellant:  
 Type .....Smokeless powder  
 Weight .....MBR

**Performance:**

Chamber pressure .....11,000 psi  
 Velocity .....1255 fps, 3 ft from  
 muzzle

**Shipping and Storage Data:**

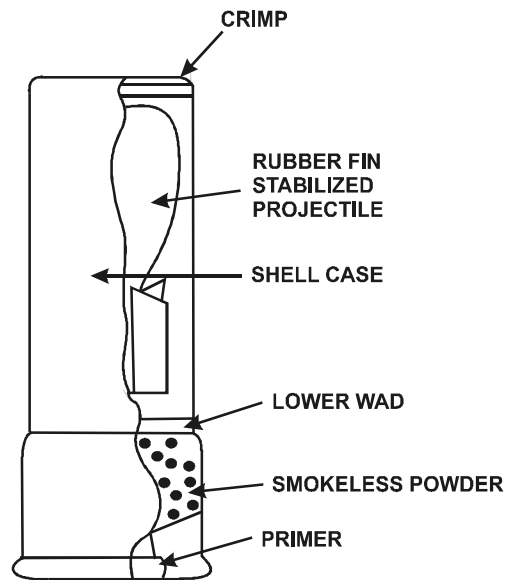
Quantity-distance class/  
 SCG.....1.4S  
 Storage code.....Class V



DOT shipping class ..... C  
DOT designation ..... SMALL ARMS  
  AMMUNITION  
Drawing number ..... 10542495

**References:**

SB 700-20  
TM 9-1005-303-14  
TM 9-1300-206

**CARTRIDGE, 12 GAGE SHOTGUN, NON-LETHAL: POINT CONTROL, M1012**

AR9857

**Type Classification:**

STD - Sep 2000.

**Use:**

This cartridge is used by military forces to protect key facilities or for crowd control using non-lethal force. It gives the soldier the capability to stun or deter an individual by delivering a strong blow to the body without penetrating the body. The M1012 is fired from standard military 12 gage shotguns (Mossberg 500/590 and Winchester 1200). The effective range is 10 to 20 meters.

**Description:**

The M1012 has a clear cylindrical case and is loaded with a rubber fin stabilized projectile.

**Functioning:**

<b>WARNING</b>
----------------

**DO NOT FIRE THE M1012 AT INDIVIDUALS CLOSER THAN 10 METERS. DEATH OR SERIOUS INJURY MAY OCCUR.**

**DO NOT FIRE THE M1012 ABOVE THE SHOULDER OF AN INDIVIDUAL. DEATH OR SERIOUS INJURY MAY OCCUR.**

**DO NOT SKIP FIRE THE M1012 TOWARDS AN INDIVIDUAL. SERIOUS INJURY MAY OCCUR.**

**THE M1012 MUST BE FIRED IN OPEN OR WELL VENTILATED AREAS TO PREVENT TOXIC FUME BUILDUP.**

**ALL PERSONNEL WITHIN 10 METERS OF WEAPON MUST WEAR SINGLE HEARING PROTECTION.**

**DURING TRAINING, DO NOT FIRE THE M1012 AT LIVE TARGETS. THE M1012 CAN BE LETHAL IF IMPROPERLY USED.**

**DURING TRAINING, EYE PROTECTION IS RECOMMENDED TO PROTECT GUNNER FROM PROJECTILE BOUNCE BACK.**

**Tabulated Data:**

Cartridge:  
 NSN ..... 1305-01-470-2405  
 DODAC ..... 1305-AA51  
 Weight ..... 0.54 oz (15.5 g)  
 Length (approx) ..... 2.5 in. (6.35 cm)  
 Diameter ..... 0.75 in. (0.3 cm)  
 Projectiles ..... 1 rubber projectile  
 Shell case ..... Green tipped clear case

Submunition:  
 Caliber ..... 12 gage  
 Length ..... 1.7 in. (4.3 cm)  
 Material ..... Rubber  
 Hardness ..... 75 Durometer "A" scale  
 Weight ..... 0.2 oz (5.8 g)

**Performance:**

Velocity ..... 500 fps (average)  
 Maximum range ..... 955 ft (291 m)  
 Maximum effective range ..... 66 ft (20 m)  
 Minimum safety range ..... 10 m  
 Warranty ..... 4 yrs from date of manufacture

**Temperature Limits:**

Firing:  
 Lower ..... -25°F  
 Upper ..... +125°F

**Shipping and Storage Data:**

Quantity distance class/SCG ..... 1.4S  
 UNO serial number ..... 0012  
 DOT proper shipping name ..... CARTRIDGES, SMALL ARMS  
 Explosive content ..... 0.52 g

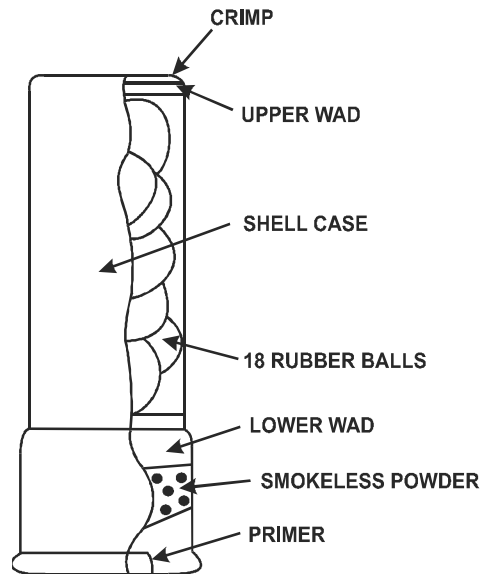
**Packing:**

Packing ..... 160 shells per M2A1 metal container; 2 containers per wirebound box

Packing Box:  
 Weight ..... 33 lb  
 Dimensions ..... 14-1/2 x 12-3/4 x 8-3/8 in.  
 Cube ..... 0.9 cu ft  
 Cartridge drawing number ..... 12982874  
 Packing drawing number ..... 9396206

**References:**

SB -700-20  
 TM 9-1005-303-14  
 TM 9-1305-201-20&P  
 TM 9-1305-201-34

**CARTRIDGE, 12 GAGE SHOTGUN, NON-LETHAL: CROWD DISPERSAL, M1013**

AR9858

**Type Classification:**

STD - Sep 2000.

**Use:**

This cartridge is used by military forces to protect key facilities or for crowd control using non-lethal force. It gives the soldier the capability to stun or deter an individual by delivering a strong blow to the body without penetrating the body. The M1013 is be fired from standard military 12 gage shotguns (Mossberg 500/590 and Winchester 1200). The effective range is 10 to 20 meters.

**Description:**

The M1013 has a clear cylindrical case and is loaded with 18 rubber balls between an upper and lower wad.

**Functioning:**

<b>WARNING</b>
----------------

**DO NOT FIRE THE M1013 AT INDIVIDUALS CLOSER THAN 10 METERS. DEATH OR SERIOUS INJURY MAY OCCUR.**

**DO NOT FIRE THE M1013 ABOVE THE SHOULDER OF AN INDIVIDUAL. DEATH OR SERIOUS INJURY MAY OCCUR.**

**DO NOT SKIP FIRE THE M1013 TOWARDS AN INDIVIDUAL. SERIOUS INJURY MAY OCCUR.**

**THE M1013 MUST BE FIRED IN OPEN OR WELL VENTILATED AREAS TO PREVENT TOXIC FUME BUILDUP.**

**ALL PERSONNEL WITHIN 10 METERS OF WEAPON MUST WEAR SINGLE HEARING PROTECTION.**

**DURING TRAINING, DO NOT FIRE THE M1013 AT LIVE TARGETS. THE M1013 CAN BE LETHAL IF IMPROPERLY USED.**

**DURING TRAINING, EYE PROTECTION IS RECOMMENDED TO PROTECT GUNNER FROM PROJECTILE BOUNCE BACK.**

**Tabulated Data:**

Cartridge:  
 NSN ..... 1305-01-470-2139  
 DODAC ..... 1305-AA52  
 Weight ..... 0.56 oz (16 g)  
 Length (approx) ..... 2.5 in. (6.35 cm)  
 Diameter ..... 0.75 in. (0.3 cm)  
 Projectiles ..... 18 rubber balls  
 Shell case ..... Green tipped clear case

Submunition:  
 Caliber ..... 32  
 Diameter ..... 0.32 in. (0.8 cm)  
 Material ..... PVC Rubber Compound  
 Hardness ..... 75 Durometer "A" scale  
 Weight ..... 0.01 oz (0.25 g) each

**Performance:**

Velocity ..... 900 fps (average)  
 Maximum range ..... 295 ft (90 m)  
 Maximum effective range ..... 66 ft (20 m)  
 Minimum safety range ..... 10 m  
 Warranty ..... 4 yrs from date of manufacture

**Temperature Limits:**

Firing:  
 Lower ..... -25°F  
 Upper ..... +125°F

**Shipping and Storage Data:**

Quantity distance class/SCG ..... 1.4S  
 UNO serial number ..... 0012  
 DOT proper shipping name ..... CARTRIDGES, SMALL ARMS  
 Explosive content ..... 0.50 g

**Packing:**

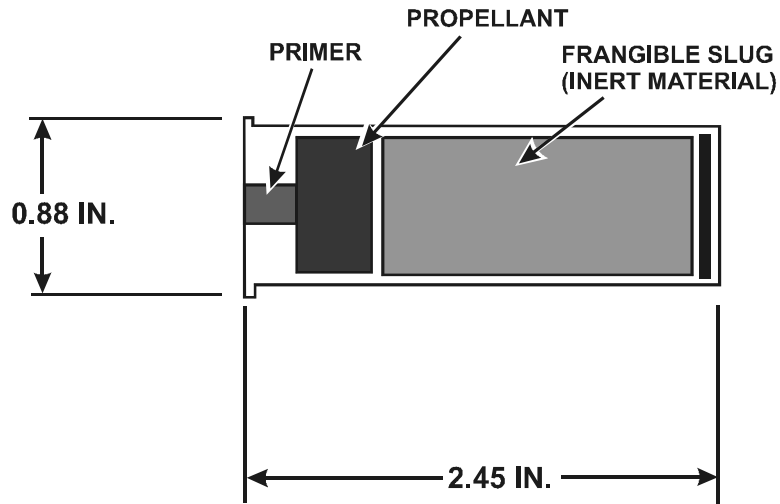
Packing ..... 160 shells per M2A1 metal container; 2 containers per wirebound box

Packing Box:  
 Weight ..... 34 lb  
 Dimensions ..... 14-1/2 x 12-3/4 x 8-3/8 in.  
 Cube ..... 0.9 cu ft  
 Cartridge drawing number ..... 12982875  
 Packing drawing number ..... 9396206

**References:**

SB -700-20  
 TM 9-1005-303-14  
 TM 9-1305-201-20&P  
 TM 9-1305-201-34

**CARTRIDGE, 12 GAGE SHOTGUN: BREACHING, M1030**



**AR9856**

**Type Classification:**

TBD.

**Use:**

This cartridge is used to gain access through light doors and entryways. It is used with a standard shotgun.

**Description:**

The M1030 contains a frangible slug consisting of powdered steel with a wax binder. The cartridge is 2.45 inches long with a diameter of 0.88 inches.

**Functioning:**

When the percussion primer is struck, the propellant is ignited. The propelling gases expel the frangible slug against a target. The slug transmits the force over a specific area, such as a hinge or lock mechanism, without producing significant fragmentation that could injure the gunner.

**Tabulated Data:**

NSN .....	1305-01-475-7440
DODAC .....	1305-AA54
UNO serial number .....	0339
Complete Round:	
Type .....	Breaching
Weight .....	TBD
Length .....	2.45 in.
Diameter .....	0.88 in.
Weapons used with.....	Winchester 1200, Mossberg 590
Projectile:	
Filler material .....	Powdered steel
Ogive .....	Plastic
Color.....	Clear w/brown tip
Weight .....	40 g
Fuze .....	None
Propelling Charge:	
Cartridge case.....	Brass case
Propellant .....	Herco, 23 gr (1.5 g)
Primer .....	Percussion, WIN 209

**Performance:**

Maximum range ..... 175 m  
 Maximum effective range ..... 5 m  
 Muzzle velocity ..... 350 m/s

**Temperature Limits:**

Firing:  
 Lower limit ..... -25°F  
 Upper limit..... +120°F  
 Storage:  
 Lower limit ..... -65°F  
 Upper limit..... +120°F

**Shipping and Storage Data:**

Hazard class/division and SCG..... 1.4C  
 DOT designation ..... CARTRIDGES  
 FOR WEAP-  
 ONS, INERT  
 PROJECTILE  
 Cartridge drawing number ..... 12990872  
 Packing drawing number ..... 9396197

**Packing:**

Packing..... 160 rounds per  
 M2A1 metal con-  
 tainer; 2 contain-  
 ers per wirebound  
 box

\*Packing Box:  
 Weight ..... 53 lb  
 Dimensions..... 14.53 x 12.75 x 8  
 in.  
 Cube ..... 0.85 cu ft

\*See DOD Consolidated Ammunition Catalog for complete packing data including NSNs.

**References:**

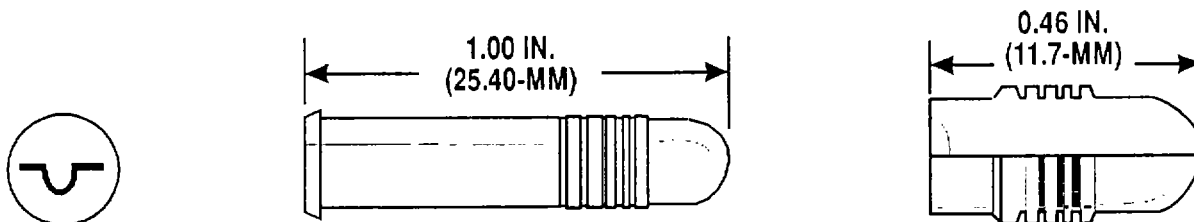
SB 700-20  
 TM 9-1005-303-14  
 TM 9-1305-201-20&P  
 TM 9-1305-201-34

**CHAPTER 3**  
**CALIBER .22 CARTRIDGES**



**THIS PAGE INTENTIONALLY LEFT BLANK**

**CARTRIDGE, CALIBER .22, BALL, LONG RIFLE**



U  
AR 5895

**Type Classification:**

STD - OTCM 36841.

**Use:**

Subcaliber Rifle M2A1; Winchester Models 52 and 75; Remington Models M40X and 513T; Machine Gun Trainers M3 and M4. The cartridge is intended for marksmanship practice and match use.

**Description:**

BALL Cartridge. The cartridge is grade match.

**Tabulated Data:**

DODAC..... 1305-A086  
 UNO serial number ..... 0012  
 UNO proper shipping name ..... Cartridges for weapons, inert projectile  
 Weight ..... 52 gr  
 Length..... 1 in. (25.4 mm)  
 Tracer ..... NA  
 Primer ..... Percussion (Rimfire)  
 Fuze NA  
 Explosive:  
   Type ..... NA  
   Weight ..... NA

Incendiary:

Type ..... NA  
 Weight ..... NA

Propellant:

Type ..... Smokeless powder  
 Weight ..... MBR

**Performance:**

Chamber pressure ..... 24,000 psi  
 Velocity ..... 1100 fps, 15 ft from muzzle

**Shipping and Storage Data:**

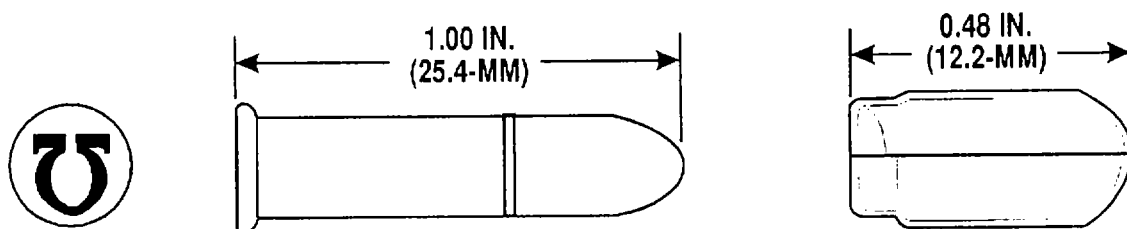
Quantity-distance class/  
   SCG ..... 1.4S  
 Storage code ..... Class V  
 DOT shipping class ..... C  
 DOT designation ..... SMALL ARMS AMMUNITION  
 Drawing number ..... 7553931

**References:**

SB 700-20  
 TM 9-1005-206-14P/4  
 TM 9-1005-226-14  
 TM 9-1300-206

**THIS PAGE INTENTIONALLY LEFT BLANK**

**CARTRIDGE, CALIBER .22, BALL, LONG RIFLE, M24**



**U  
AR 5893**

**Type Classification:**

OBS - MSR 11756003.

**Use:**

Subcaliber Rifle M2A1; Caliber .22 Rifle; Remington Models 40X and M513T; Steven's Model 416-2; Winchester Models 52 and 75; Machine Gun Trainers M3 and M4; pistols for gallery practice and training purposes. The cartridge is intended for use against small game for survival purposes.

**Description:**

BALL Cartridge.

**Tabulated Data:**

DODAC.....	1305-A086
UNO serial number .....	0012
UNO proper shipping name .....	Cartridges for weapons, inert projectile
Weight .....	53 gr
Length.....	1 in. (25.4 mm)
Tracer .....	NA
Primer .....	Percussion (Rimfire)
Fuze.....	NA

**Explosive:**

Type ..... NA  
Weight..... NA

**Incendiary:**

Type ..... NA  
Weight ..... NA

**Propellant:**

Type ..... Smokeless powder  
Weight ..... 2.5 gr

**Projectile:**

Weight ..... 40.5 gr

**Performance:**

Chamber pressure ..... 24,000 psi  
Velocity ..... 1185 fps, 15 ft from muzzle

**Shipping and Storage Data:**

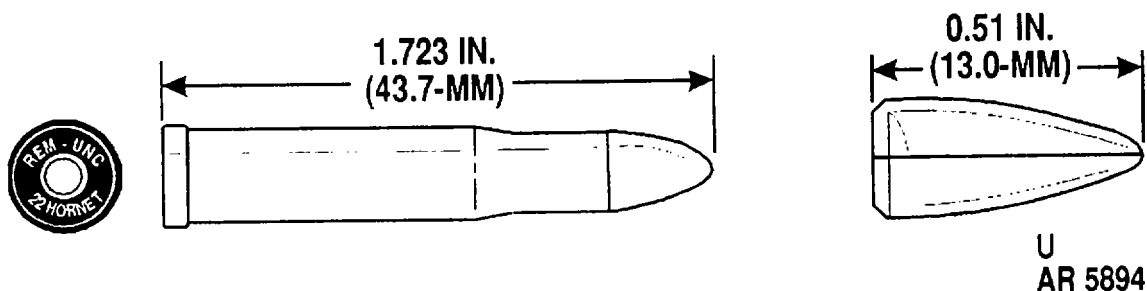
Quantity-distance class/  
SCG ..... 1.4S  
Storage code..... Class V  
DOT shipping class ..... C  
DOT designation ..... SMALL ARMS AMMUNITION  
Drawing number ..... 7640995

**References:**

SB 700-20  
TM 9-1005-206-14P/4  
TM 9-1005-226-14  
TM 9-1300-206

**THIS PAGE INTENTIONALLY LEFT BLANK**

**CARTRIDGE, CALIBER .22, BALL, HORNET, M65**



**Type Classification:**

OBS - MSR 11756003.

**Use:**

Caliber .22 Survival Weapons, M4 and M6. The cartridge is intended for use against small game.

**Description:**

BALL Cartridge.

**Tabulated Data:**

DODAC..... 1305-A088  
 UNO serial number 0012  
 UNO proper shipping name ..... Cartridges for weapons, inert projectile  
 Weight ..... 103 gr  
 Length..... 1.723 in. (43.7 mm)  
 Tracer ..... NA  
 Primer..... Percussion  
 Fuze..... NA  
 Explosive:  
   Type ..... NA  
   Weight..... NA

**Incendiary:**

Type ..... NA  
 Weight ..... NA

**Propellant:**

Type ..... Smokeless powder  
 Weight ..... 12.6 gr

**Performance:**

Chamber pressure ..... 43,000 psi  
 Velocity ..... 2750 fps, 15 ft from muzzle

**Shipping and Storage Data:**

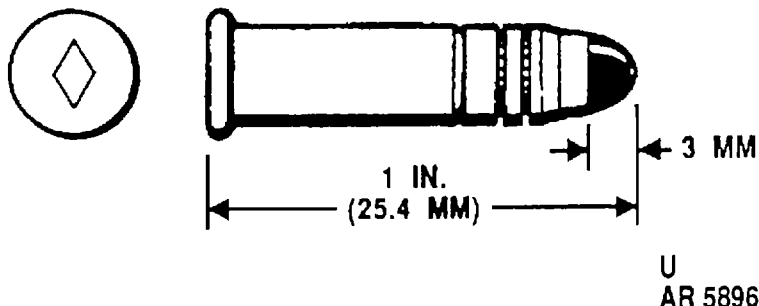
Quantity-distance class/  
   SCG..... 1.4S  
 Storage code..... Class V  
 DOT shipping class ..... C  
 DOT designation ..... SMALL ARMS AMMUNITION  
 Drawing number ..... 7553664

**References:**

SB 700-20  
 TM 9-1005-206-14P/4  
 TM 9-1005-226-14  
 TM 9-1300-206

**THIS PAGE INTENTIONALLY LEFT BLANK**

**CARTRIDGE, CALIBER .22, TRACER, LONG RIFLE, M861**



**Type Classification:**

STD - DA Letter.

**Use:**

Rifle M16A1 when adapted with the M261 Conversion Kit. The M861 cartridge, when fired from the rim-fired adapter M16A1 Rifle mounted on the Brewster Device, will increase the training proficiency in scaled range tank gunnery exercise by providing a visual display for tracking purposes.

**Description:**

TRACER Cartridge. The cartridge M861, .22 Caliber Long Rifle, rimfire with tracer is a commercially produced item, manufactured by Dynamite Nobel AG. The M861 is designed to be fired in the M16A1 rifle when adapted with the M261 Conversion Kit. It can be fired in the automatic or semi-automatic modes. The tracer (red) is visible between 27 and 192 feet in daylight to allow the gunner to observe and sense the impact of the tracer with normal vision and sighting devices when fired on the scaled range. The M861 is identified by a red painted tip.

**Tabulated Data:**

DODAC..... 1305-A090  
 UNO serial number 0012

UNO proper shipping

name .....	Cartridges for weapons, inert projectile
Weight .....	48 gr'
Length.....	1 in. (25.4 mm)
Tracer .....	NA
Primer.....	Percussion (Rimfire)
Fuze.....	NA
Explosive:	
Type .....	NA
Weight.....	NA
Incendiary:	
Type .....	NA
Weight.....	NA
Propellant:	
Type .....	Smokeless powder
Weight.....	2.5 gr

**Performance:**

Chamber pressure .....	24,000 psi
Velocity .....	- 990.75 fps, 302 m/s

**Shipping and Storage Data:**

Quantity-distance class/	
SCG.....	1.4S
Storage code.....	Class V
DOT shipping class - C	
DOT designation .....	SMALL ARMS AMMUNITION
Drawing number .....	9343015

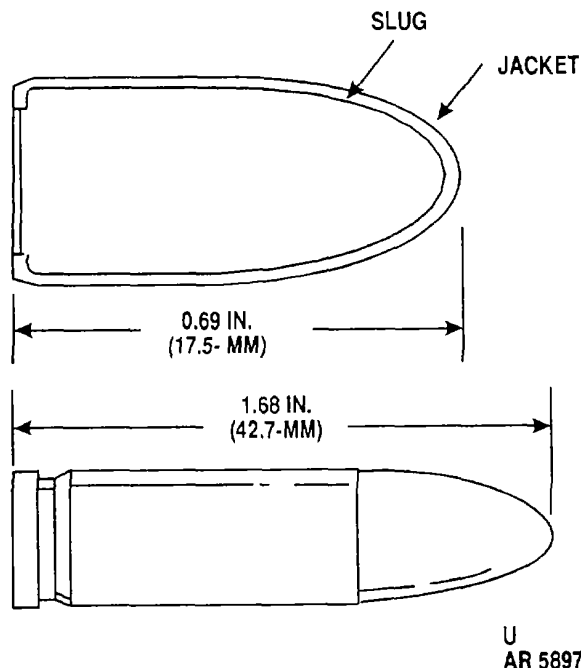


**THIS PAGE INTENTIONALLY LEFT BLANK**

**CHAPTER 4**  
**CALIBER .30 CARBINE CARTRIDGES**

**THIS PAGE INTENTIONALLY LEFT BLANK**

**CARTRIDGE, CALIBER .30, CARBINE, BAI,L, M1**



**Type Classification:**

OBS - MSR 11756003.

**Use:**

Caliber .30, Carbine, MI, M2 or M3. The cartridge is intended for use against personnel and unarmored targets.

**Description:**

BALL Cartridge. The cartridge is identified by the lack of bullet tip color code painting.

**Tabulated Data:**

DODAC..... 1305-A181  
 UNO serial number 0012  
 UNO proper shipping name ..... Cartridges for weapons, inert projectile  
 Weight ..... 196 gr  
 Length..... 1.68 in. (42.7 mm)  
 Tracer ..... NA  
 Primer..... Percussion  
 Fuze..... NA  
 Explosive:  
 Type ..... NA  
 Weight..... NA

**Incendiary:**

Type ..... NA  
 Weight..... NA

**Propellant:**

Type ..... WC 820  
 Weight..... 13 gr

**Projectile:**

Weight..... 111 gr

**Performance:**

Chamber pressure 40,000 psi  
 Velocity..... 1900 fps, 53 ft from muzzle

**Shipping and Storage Data:**

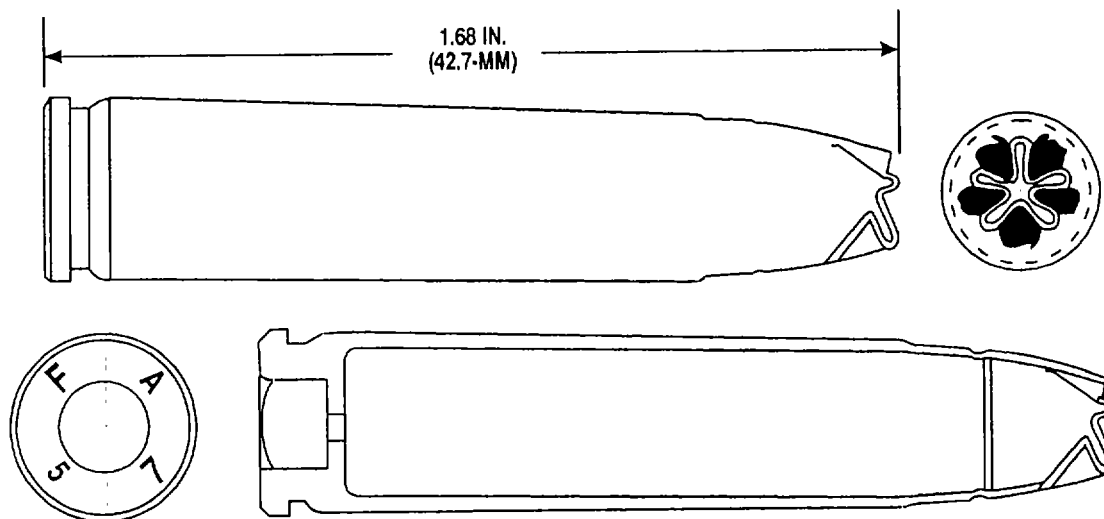
Quantity-distance class/  
 SCG..... 1.4S  
 Storage code..... Class V  
 DOT shipping class - C  
 DOT designation ..... SMALL ARMS AMMUNITION  
 Drawing number..... 6200954

**References:**

SB 700-20  
 TM 9-1300-206

**THIS PAGE INTENTIONALLY LEFT BLANK**

**CARTRIDGE, CALIBER .30, CARBINES, GRENADE, M6**



U  
AR 5898

**Type Classification:**

OBS - MSR 11756003.

**Use:**

Caliber .30, Carbine, M1 or M2. The cartridge is currently used as a blank cartridge. The cartridge provides pressure to project grenades 1by using a grenade projection adapter.

**Description:**

GRENADE Cartridge. The cartridge identified by the rose-petal (rosette-crimp) closure of the cartridge case mouth.

**Tabulated Data:**

DODAC..... 1330-G837  
 UNO serial number .....0014  
 UNO proper shipping name ..... Cartridges for weapons, blank  
 Weight ..... 103 gr  
 Length..... 1.68 in. (42.7 min)  
 Tracer ..... NA  
 Primer ..... Percussion  
 Fuze..... NA  
 Explosive:  
 Type ..... NA  
 Weight..... NA

**Incendiary:**

Type ..... NA  
 Weight ..... NA

**Propellant:**

Type ..... IMR 480) and black powder  
 Weight ..... 21 gr

**Performance:**

Chamber pressure NA  
 Velocity ..... 145 fps, 5 ft from muzzle of projectile grenade

**Shipping and Storage::**

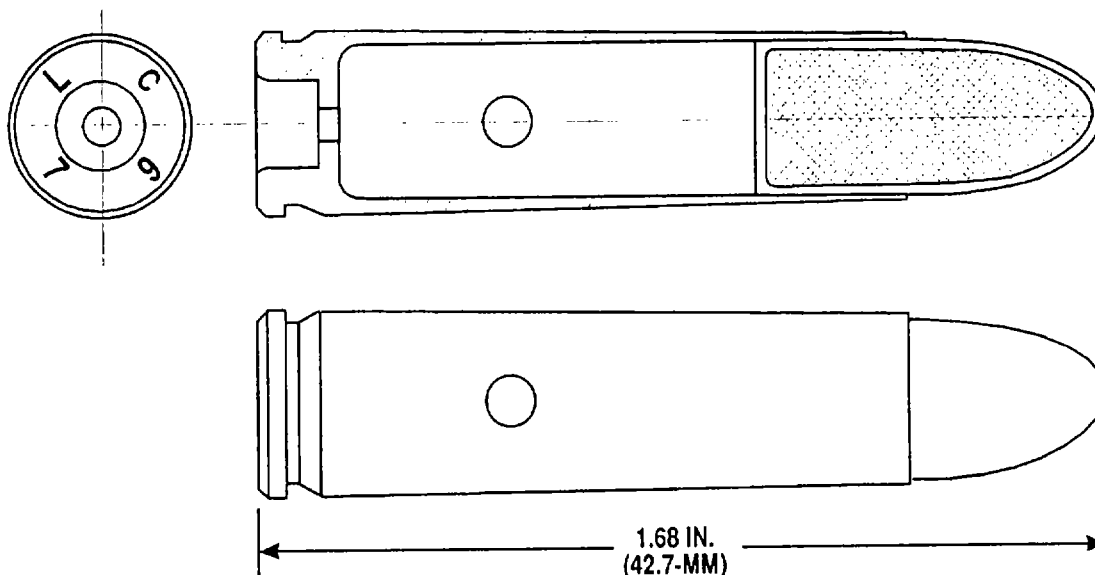
Quantity-distance class/  
 SCG..... 1.4S  
 Storage code..... Class V  
 DO'I' shipping class - C  
 DOT designation ..... SMALL ARMS AMMUNITION  
 Drawing number ..... 6181079

**References:**

SB 700-20  
 TM 9-1300-206

**THIS PAGE INTENTIONALLY LEFT BLANK**

**CARTRIDGE, DUMMY, CALIBER .30, CARBINE, M13**



U  
43 5000

**Type Classification:**

OBS - MSR 11756003.

**Use:**

Caliber .30, Carbine, M1 or M2. The cartridge is completely inert and is used for practice in loading weapons, for simulated firing to detect flinching of personnel when firing, and for inspecting and testing the mechanisms of the weapon.

**Description:**

DUMMY Cartridge. The cartridge is identified by two holes in the cartridge case and the absence of the primer.

**Tabulated Data:**

DODAC.....	1305-A186
UNO serial number .....	0339
UNO proper shipping name .....	Cartridges for weapons, inert projectile
Weight .....	177 gr
Length.....	1.68 in. (42.7 mm)
Tracer .....	NA

Primer.....	NA
Fuze.....	NA
Explosive:	
Type .....	NA
Weight.....	- NA
Incendiary:	
Type .....	NA
Weight.....	NA
Propellant:	
Type .....	NA
Weight.....	NA

**Performance:**

Chamber pressure	NA
Velocity.....	NA

**Shipping and Storage Data:**

Quantity-distance class/SCG.....	NA
Storage code.....	NA
DOT shipping class	NA
DOT designation .....	NONEXPLOSIVE AMMUNITION
Drawing number .....	6177513

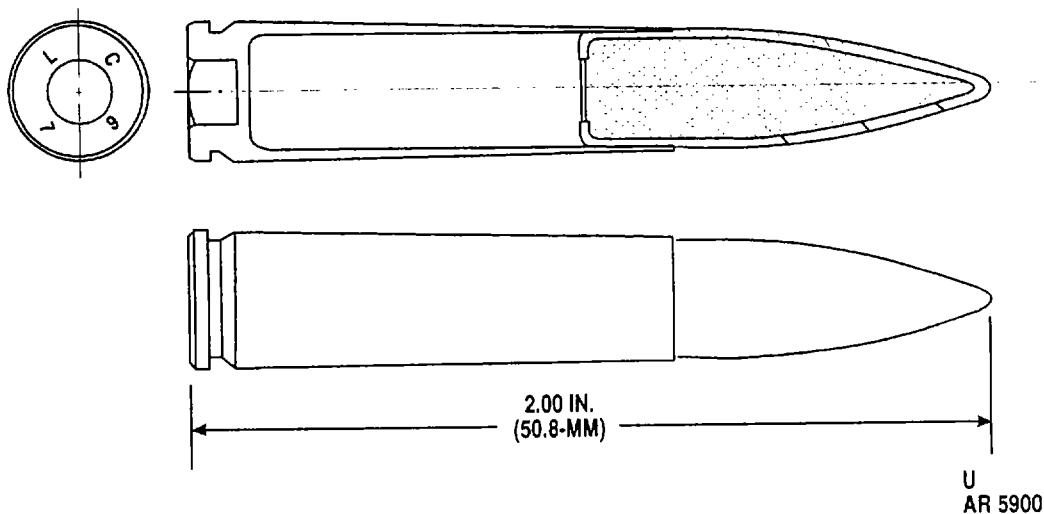
**References:**

SB 700-20
TM 9-1300-206



**THIS PAGE INTENTIONALLY LEFT BLANK**

**CARTRIDGE, CALIBER .30, CARBINE, BALL, HIGH PRESSURE TEST, M18**



**Type Classification:**

STD - OTCM 36841.

**Use:**

Caliber .30, Carbine, M1 and M2. The cartridge is used for proof firing of caliber .30 carbine weapons during manufacture, test, or repair.

**Description:**

BALL Cartridge. The cartridge is identified by the stannic-stained (silvered) cartridge case.

**Tabulated Data:**

DODAC.....1305-A185  
 UNO serial number .....0012  
 UNO proper shipping name ..... Cartridges for weapons, inert projectile  
 Weight .....243 gr  
 Length.....2 in. (50.8 mm)  
 Tracer .....NA  
 Primer.....Percussion  
 Fuze.....NA

**Explosive:**

Type .....NA  
 Weight.....NA

**Incendiary:**

Type .....NA  
 Weight.....NA

**Propellant:**

Type .....HPC 5  
 Weight.....14 gr

**Performance:**

Chamber pressure 47,500 psi  
 Velocity.....NA

**Shipping and Storage Data:**

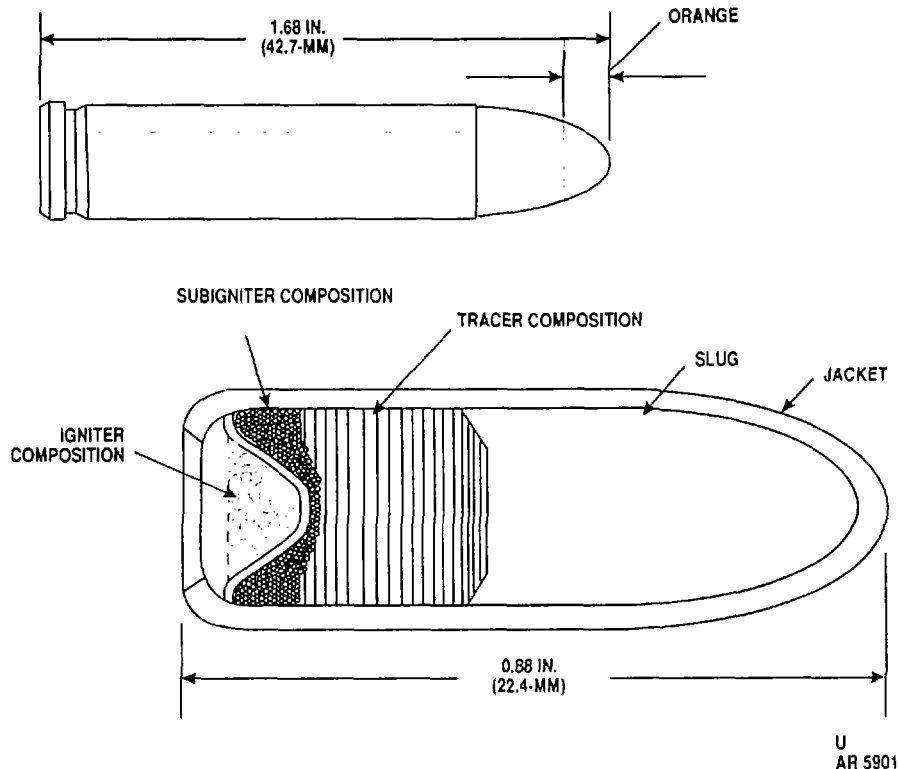
Quantity-distance class/  
 SCG.....1.4S  
 Storage code.....Class V  
 DOT shipping class - C  
 DOT designation ..... SMALL ARMS  
 AMMUNITION  
 Drawing number.....6176267

**References:**

SB 700-20  
 TM 9-1300-206

**THIS PAGE INTENTIONALLY LEFT BLANK**

**CARTRIDGE, CALIBER .30, CARBINE, TRACER, M27**



**Type Classification:**

OBS - MSR 11756003.

**Use:**

Caliber .30, Carbine, M1 and M2.

**Description:**

TRACER Cartridge. The cartridge is identified by an orange bullet tip.

**Function:**

In flight, the bullet exhibits a visible trace of full luminosity from a point not greater than 100 yards from the muzzle of the weapon to a point not less than 400 yards from the muzzle.

**Tabulated Data:**

DODAC.....1305-A183  
 UNO serial number 0012  
 UNO proper shipping name ..... Cartridges for weapons, inert projectile

Weight ..... 191 gr  
 Length..... 1.68 in. (42.7 mm)  
 Tracer ..... NA  
 Primer..... Percussion  
 Fuze..... NA  
 Explosive:  
   Type ..... NA  
   Weight..... NA  
 Incendiary:  
   Type ..... NA  
   Weight..... NA  
 Propellant:  
   Type ..... WC 820  
   Weight..... 13 gr

**Performance:**

Chamber pressure 40,000 psi  
 Velocity..... 1800 fps, 53 ft from muzzle

**Shipping and Storage Data:**

Quantity-distance class/  
 SCG..... 1.4S  
 Storage code..... Class V

DOT shipping class .....C  
DOT designation .....SMALL ARMS  
                                      AMMUNITION  
Drawing number .....76409309

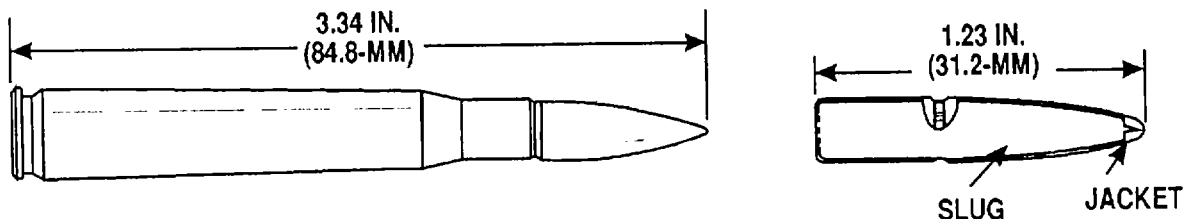
**References:**

SB 700-20  
TM 9-1300-206

**CHAPTER 5**  
**CALIBER .30 RIFLE AND MACHINE GUN CARTRIDGES**

**THIS PAGE INTENTIONALLY LEFT BLANK**

**CARTRIDGE, CALIBER .30, BALL, HIGH PRESSURE TEST; MI**



U  
AR 5903

**Type Classification:**

STD - OTCM 37119.

**Use:**

All caliber .30 weapons except carbines. The cartridge is used to proof test caliber .30 rifles and machine guns during manufacture, test, or repair.

**Description:**

BALL Cartridge. The cartridge is identified by stannic-stained (silvered) cartridge case.

**Tabulated Data:**

DODAC.....	1305-A237
UNO serial number	0012
UNO proper shipping name .....	Cartridges for weapons, inert projectile
Weight .....	432 gr
Length.....	3.34 in. (84.8 mm)
Tracer .....	NA
Primer.....	Percussion
Fuze.....	NA

**Explosive:**

Type ..... NA  
Weight..... NA

**Incendiary:**

Type ..... NA  
Weight..... NA

**Propellant:**

Type ..... IMR 4198  
Weight..... 52 gr

**Performance:**

Chamber pressure 67,500 psi  
Velocity..... - NA

**Shipping and Storage Data:**

Quantity-distance class/ SCG.....	1.4S
Storage code.....	Class V
DOT shipping class .....	C
DOT designation .....	SMALL ARMS AMMUNITION
Drawing number.....	6016308

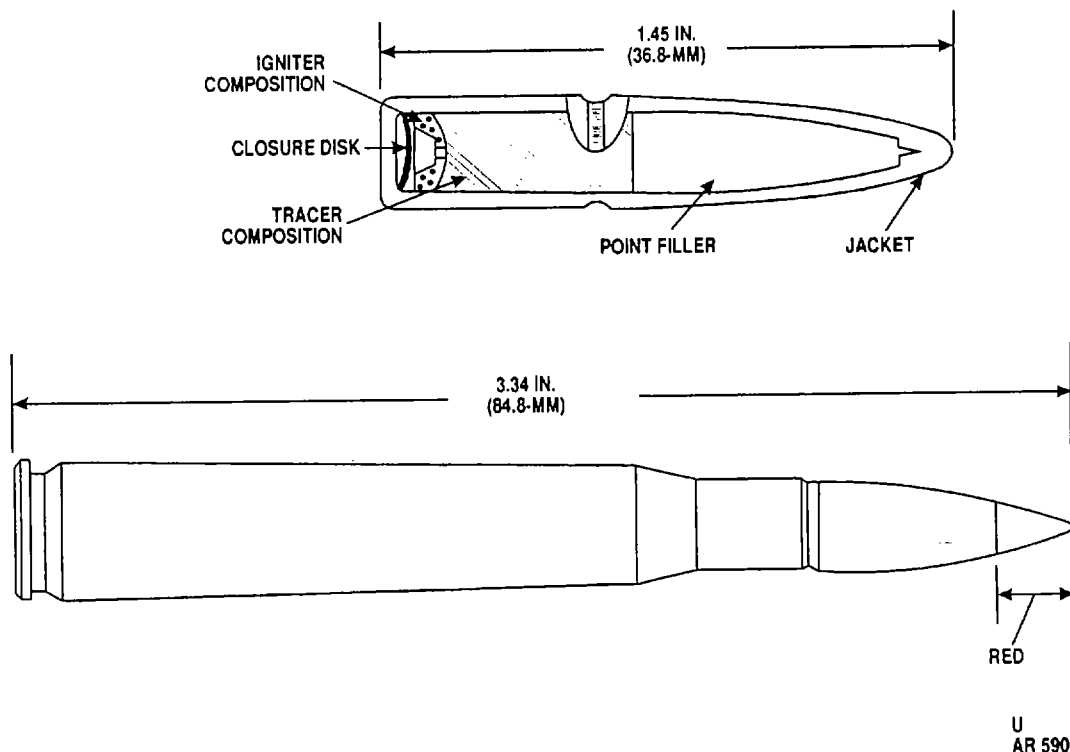
**References:**

SB 700-20  
TM 9-1005-222-12P/1  
TM 9-1300-206



**THIS PAGE INTENTIONALLY LEFT BLANK**

**CARTRIDGE, CALIBER .30, TRACER, M1**



**Type Classification:**

OBS - MSR 11756003.

**Use:**

Machine Guns, Caliber .30, M37, M1919A4 and M1919A6; and Rifle, Caliber .30, M1. The tracer element is intended to permit visible observation of the bullet's in-flight path, or trajectory, to the target.

**Description:**

TRACER Cartridge. The cartridge is identified by a red bullet tip.

**Tabulated Data:**

DODAC..... 1305-A231  
 UNO serial number 0012  
 UNO proper shipping name ..... Cartridges for weapons, inert projectile  
 Weight ..... 399 gr

Length..... 3.34 in. (84.8 mm)  
 Tracer ..... R256  
 Primer..... Percussion  
 Fuze..... NA  
 Explosive:  
   Type ..... NA  
   Weight..... NA  
 Incendiary:  
   Type ..... NA  
   Weight..... NA  
 Propellant:  
   Type ..... IMR 4895  
   Weight..... 50 gr

**Performance:**

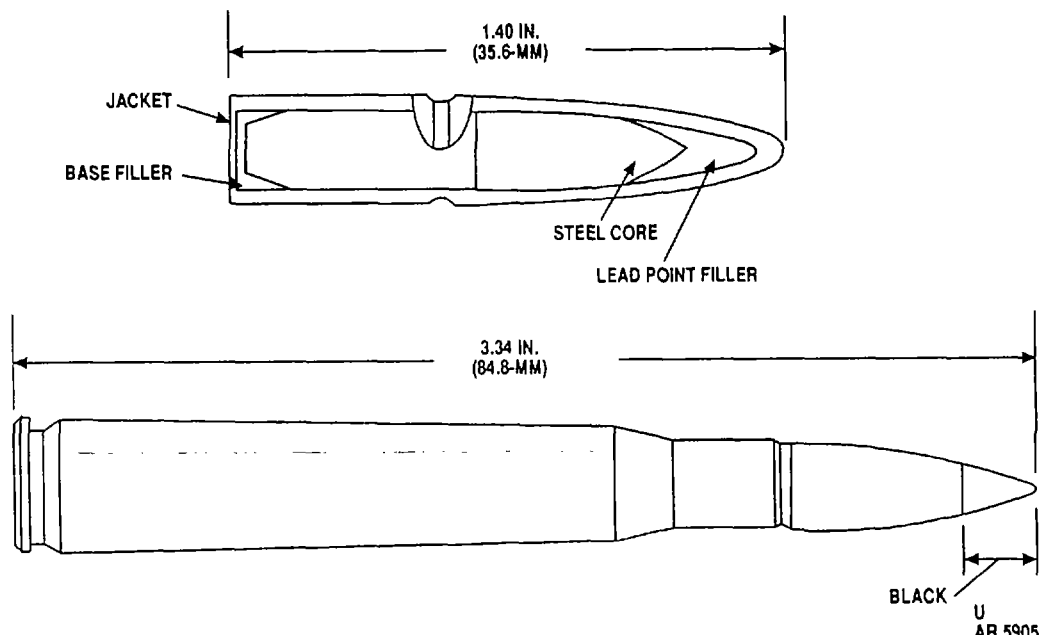
Chamber pressure ..... 52,000 psi  
 Velocity ..... 2665 fps, 78 ft from muzzle

**Shipping and Storage Data:**

Quantity-distance class/  
 SCG..... 1.4S  
 Storage code..... Class V



**CARTRIDGE, CALIBER .30, ARMOR PIERCING, M2**



**Type Classification:**

OBS - MSR 11756003.

**Use:**

Machine Guns, Caliber .30, M37, M1919A4 and M1919A6; and Rifle, Caliber .30, M1.

**Description:**

ARMOR PIERCING Cartridge. The cartridge is identified by a black bullet tip.

**Function:**

Penetration, fired at 7/8-inch thick homogeneous armor plate at 100 yards, will be not less than 0.42 inch.

**Tabulated Data:**

DODAC..... 1305-A202  
 UNO serial number ..... 0012  
 UNO proper shipping name ..... Cartridges for weapons, inert projectile  
 Weight ..... 424 gr  
 Length..... 3.34 in. (84.8 mm)  
 Tracer ..... NA  
 Primer..... Percussion  
 Fuze..... NA

**Explosive:**

Type ..... NA  
 Weight..... NA

**Incendiary:**

Type ..... NA  
 Weight..... NA

**Propellant:**

Type ..... WC 852  
 Weight..... 55 gr

**Projectile:**

Weight..... 165.7 gr

**Performance:**

Chamber pressure ..... 54,000 psi  
 Velocity..... 2715 fps, 78 ft from muzzle

**Shipping and Storage Data:**

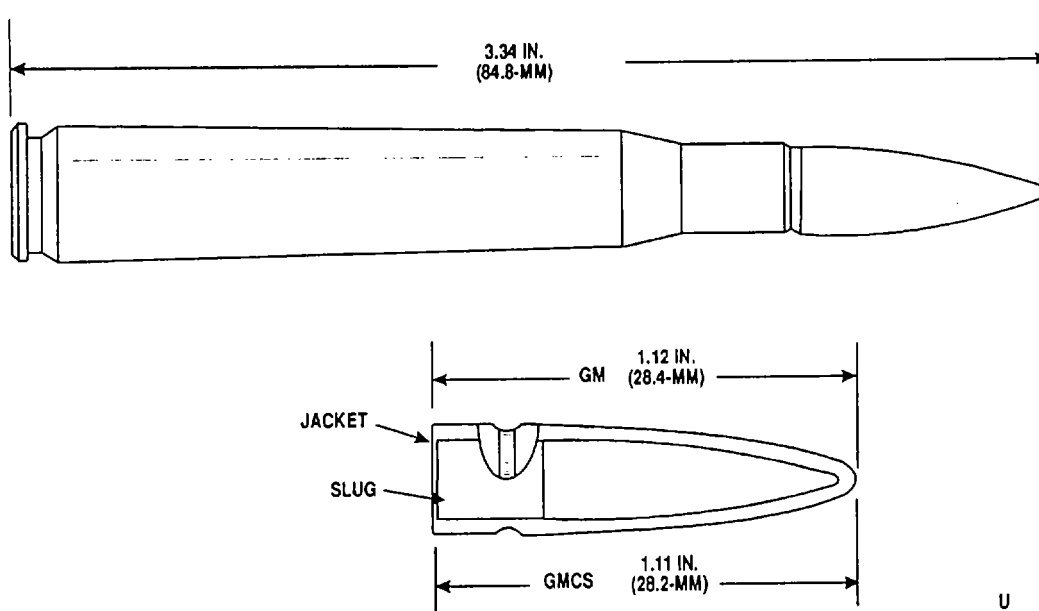
Quantity-distance class/  
 SCG..... 1.4S  
 Storage code..... Class V  
 DOT shipping class ..... C  
 DOT designation ..... SMALL ARMS AMMUNITION  
 Drawing number..... 6138194

**References:**

SB 700-20  
 TM 1005-222-12P/1  
 TM 9-1300-206

**THIS PAGE INTENTIONALLY LEFT BLANK**

**CARTRIDGE, CALIBER .30, BALL, M2**



U  
AR 5904

**Type Classification:**

OBS - MSR 11756003.

**Use:**

Machine Guns, Caliber .30, M37, M1919A4 and M1919A6; and Rifle, Caliber .30, M1. The cartridge is intended for use against personnel or unarmored targets.

**Description:**

BALL Cartridge. The cartridge is identified by a plain bullet tip.

**Tabulated Data:**

DODAC..... 1305-A212  
 UNO serial number ..... 0012  
 UNO proper shipping  
 name ..... Cartridges for  
 weapons, inert  
 projectile  
 Weight ..... 416 gr  
 Length..... 3.34 in. (84.8  
 mm)  
 Tracer ..... NA  
 Primer..... Percussion  
 Fuze..... NA

**Explosive:**

Type ..... NA  
 Weight ..... NA

**Incendiary:**

Type ..... NA  
 Weight ..... NA

**Propellant:**

Type ..... IMR 4895  
 Weight ..... 50 gr

**Performance:**

Chamber pressure..... 50,000 psi  
 Velocity ..... 2740 fps, 78 ft  
 from muzzle

**Shipping and Storage Data:**

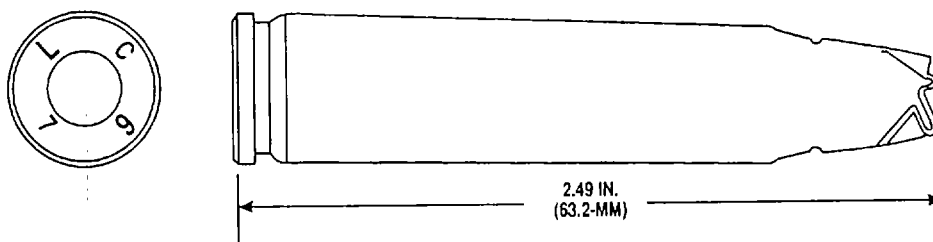
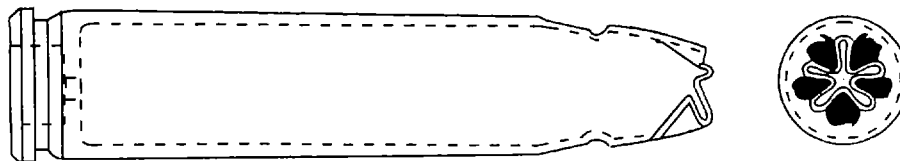
Quantity-distance class/  
 SCG ..... 1.4S  
 Storage code..... Class V  
 DOT shipping class ..... C  
 DOT designation ..... SMALL ARMS  
 AMMUNITION  
 Drawing number ..... 6137544

**References:**

SB 700-20  
 TM 9-1005-222-12P/1  
 TM 9-1300-206

**THIS PAGE INTENTIONALLY LEFT BLANK**

**CARTRIDGE, CALIBER.30, GRENADE, M3**



U  
AR 5906

**Type Classification:**

OBS - MSR 11756003.

**Use:**

Rifle, Caliber .30, M1.

**Description:**

GRENADE Cartridge. The cartridge is identified by a rose-petal (rosette-crimped) closure of the cartridge case mouth.

**Function:**

The cartridge provides the pressure, on functioning, to project rifle grenades when using a grenade projection adapter.

**Tabulated Data:**

DODAC..... 1330-G838  
 UNO serial number ..... 0014  
 UNO proper shipping  
 name ..... Cartridges for  
 weapons, blank

Weight ..... 248 gr  
 Length..... 2.49 in. (63.2 mm)  
 Tracer- ..... NA  
 Primer ..... Percussion  
 Fuze..... NA  
 Explosive:  
     Type ..... NA  
     Weight..... NA  
 Incendiary:  
     Type ..... NA  
     Weight..... NA  
 Propellant:  
     Type ..... IMR 489)5  
     Weight..... 45 gr.

**Performance:**

Chamber pressure..... NA  
 Velocity..... 180 fps, 5.5 ft from  
 muzzle/projected  
 grenade

**Shipping and Storage Data:**

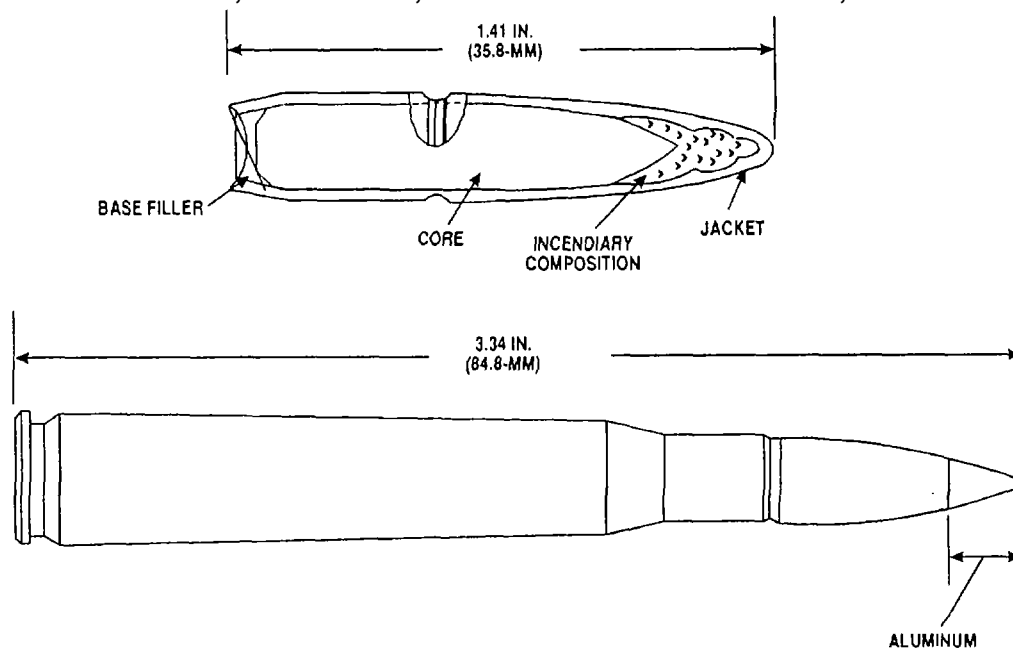
Quantity-distance class/  
 SCG ..... 1.4S  
 Storage code..... Class V



DOT shipping class ..... C  
DOT designation ..... SMALL ARMS  
  AMMUNITION  
Drawing number ..... 6173949

**References:**  
SB 700-20  
TM 9-1005-222-12P/1  
TM 9-1300-206

**CARTRIDGE, CALIBER .30, ARMOR PIERCING INCENDIARY, M14**



U  
AR 5907

**Type Classification:**

OBS - MSR 11756003.

**Use:**

Machine Guns, Caliber .30, M37, M1919A4 and M1919A6; and Rifle, Caliber .30, M1.

**Description:**

ARMOR PIERCING INCENDIARY Cartridge. The cartridge is identified by an aluminum bullet tip.

**FUNCTION:**

Penetration, fired at a 7/8-inch steel plate at 100 yards, will not be less than 0.42 inch. Upon impact with a target, the incendiary composition bursts into flame and will ignite flammable material.

**Tabulated Data:**

DODAC..... 1305-A202  
UNO serial number ..... 0012

UNO proper shipping

name .....	Cartridges for weapons, inert projectile
Weight .....	407 gr
Length.....	3.34 in. (84.8 mm)
Tracer .....	NA
Primer.....	Percussion
Fuze.....	NA
Explosive:	
Type .....	NA
Weight.....	NA
Incendiary:	
Type .....	IM 11
Weight.....	2 gr
Propellant:	
Type .....	WC 852
Weight.....	50 gr

**Performance**

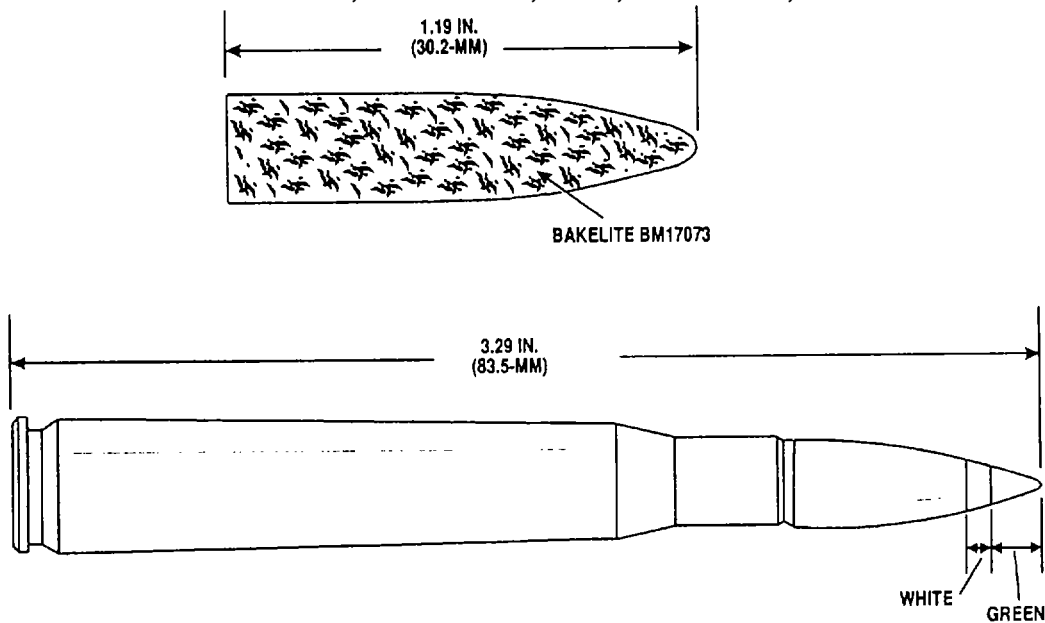
Chamber pressure..... 54,00() psi  
Velocity..... 2780 fps, 78 ft from muzzle

**Shipping and Storage Data:**

Quantity-distance class/  
SCG ..... 1.4S  
Storage code..... Class V



**CARTRIDGE, CALIBER .30, BALL, FRANGIBLE, M22**



U  
AR 5908

**Type Classification:**

OBS - MSR 11756003.

**Use:**

Machine Guns, Caliber .30, M37 and M1919A4; and Rifle, Caliber .30, M1.

**Description:**

BALL Cartridge. The cartridge is identified by a green bullet tip with a white ring to the rear of the green color.

**Function:**

The bullet disintegrates upon striking a hard or armored target, leaving a pencil-like mark to indicate a hit during gunnery practice.

**Tabulated Data:**

DODAC..... 1305-A220  
 UNO serial number .....0012  
 UNO proper shipping name ..... Cartridges for weapons, inert projectile  
 Weight ..... 320 gr  
 Length..... 3.29 in. (83.5 mm)  
 Tracer ..... NA

Primer.....Percussion  
 Fuze.....NA  
 Explosive:  
     Type .....NA  
     Weight.....NA  
 Incendiary:  
     Type .....NA  
     Weight.....NA  
 Propellant:  
     Type .....SR 4759  
     Weight..... 11 gr

**Performance:**

Chamber pressure.....NA  
 Velocity..... 1320 fps, 53 ft from muzzle

**Shipping and Storage Data:**

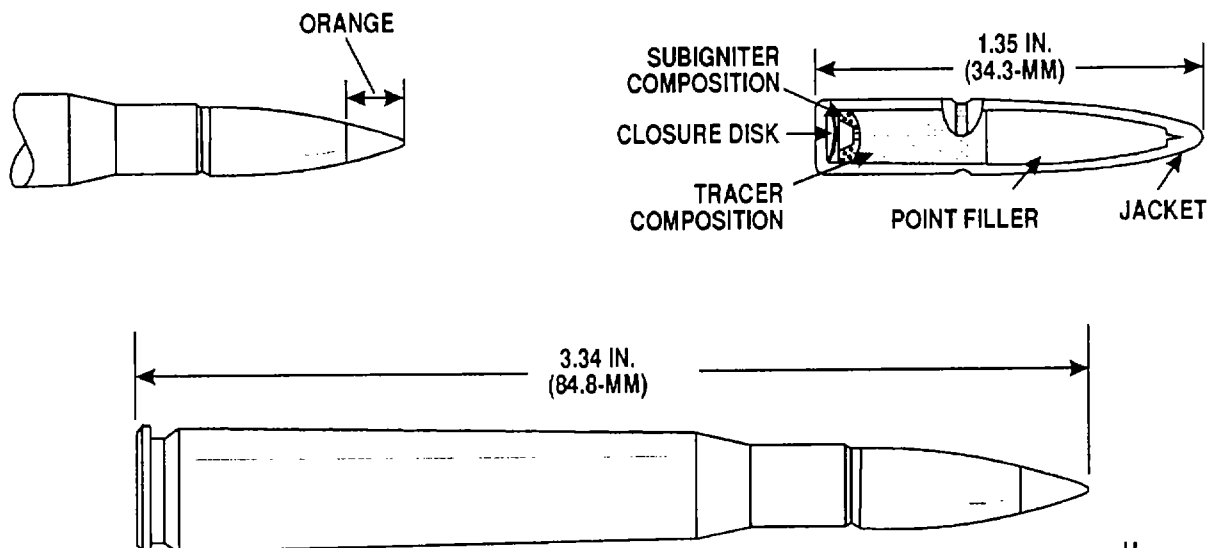
Quantity-distance class/  
     SCG ..... 1.4S  
 Storage code..... Class V  
 DOT shipping class ..... C  
 DOT designation ..... SMALL ARMS AMMUNITION  
 Drawing number..... 7640951

**References:**

SB 700-20  
 TM 9-1300-206

**THIS PAGE INTENTIONALLY LEFT BLANK**

**CARTRIDGE, CALIBER .30, TRACER, M25**



U  
AR 5909

**Type Classification:**

OBS - MSR 11756003.

Use:

Machine Guns, Caliber .30, M37, M1917A1, M1919A4, and M1919A6; and Rifle, Caliber .30, M1. The cartridge is intended for use against personnel and unarmored targets.

**Description:**

TRACER Cartridge. The cartridge is identified by an orange bullet tip.

**Function:**

In flight, the bullet exhibits a trace of full luminosity from a point not greater than 75 yards from the muzzle of the weapon to a point not less than 900 yards from the muzzle.

**Tabulated Data:**

DODAC.....1305-A230  
 UNO serial number .....0012  
 UNO proper shipping name ..... Cartridges for weapons, inert projectile  
 Weight .....401 gr  
 Length.....3.34 in. (84.8 mm)  
 Tracer .....R321  
 Primer.....Percussion  
 Fuze.....NA

Explosive:

Type ..... NA  
 Weight ..... NA

Incendiary:

Type ..... NA  
 Weight ..... NA

Propellant:

Type ..... WC 852  
 Weight ..... 50 gr

Projectile:

Weight ..... 145.5 gr

Performance:

Chamber pressure..... 50,000 psi  
 Velocity ..... 2665 fps, 78 ft from muzzle

**Shipping and Storage Data:**

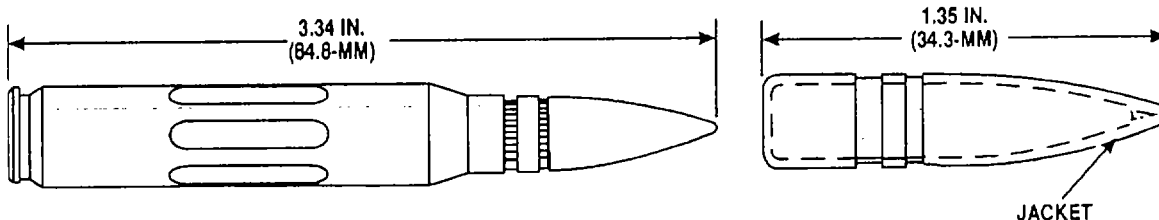
Quantity-distance class/  
 SCG ..... 1.4S  
 Storage code..... Class V  
 DOT shipping class ..... C  
 DOT designation ..... SMALL ARMS  
 ..... AMMUNITION  
 Drawing number ..... 7640667 (brass case);  
 7553949 (steel case)

**References:**

SB 700-20  
 TM 9-1005-222-12P/1  
 TM 9-1300-206

**THIS PAGE INTENTIONALLY LEFT BLANK**

**CARTRIDGE, DUMMY, CALIBER .30, M40**



U  
AR 5910

**Type Classification:**

STD - OTCM 37119.

**Use:**

All caliber .30 weapons except carbine. The cartridge is inert, and is used for practice in loading weapons, for simulated firing to detect flinching of personnel when firing, and for inspecting and testing the mechanisms of small arms weapons.

**Description:**

DUMMY Cartridge. The cartridge is identified by six 1-inch longitudinal corrugations (flutings) in the cartridge case. In addition, there is no primer.

**Tabulated Data:**

DODAC..... 1305-A226  
 Weight ..... 268 gr  
 Length..... 3.34 in. (84.8 mm)  
 Tracer ..... NA  
 Primer..... NA  
 Fuze..... NA

**Explosive:**

Type ..... NA

Weight ..... NA  
 Incendiary:  
 Type ..... NA  
 Weight ..... NA  
 Propellant:  
 Type ..... NA  
 Weight ..... NA

**Performance:**

Chamber pressure..... NA  
 Velocity ..... NA  
 Shipping and Storage Data:

Quantity-distance class/  
 SCG ..... NA  
 Storage code..... NA  
 DOT shipping class ..... NA  
 DOT designation ..... NONEXPLOSIVE  
 AMMUNITION  
 Drawing number ..... 7553591

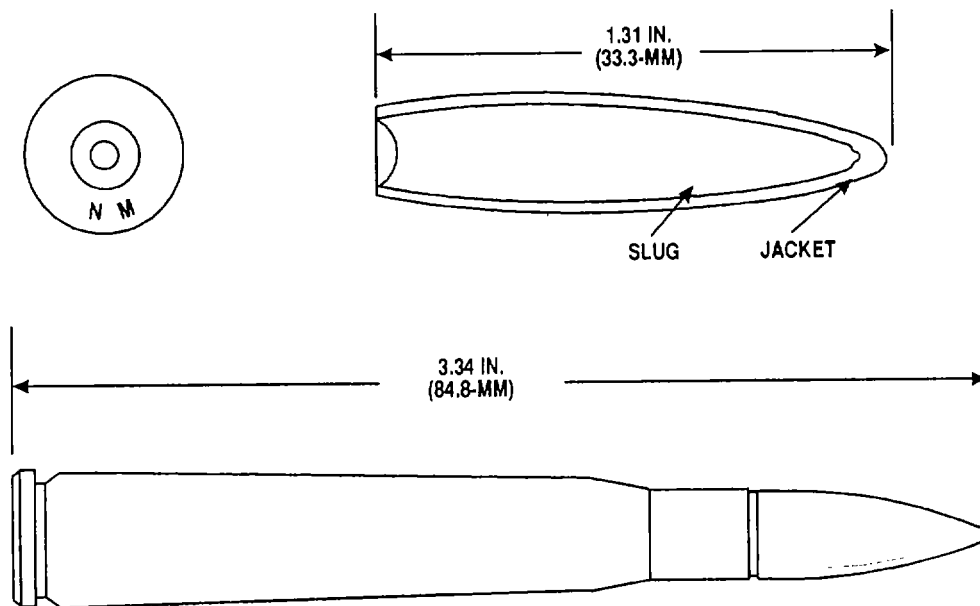
**References:**

SB 700-20  
 TM 9-1005-222-12P/1  
 TM 9-1300-206



**THIS PAGE INTENTIONALLY LEFT BLANK**

**CARTRIDGE, CALIBER .30, BALL, MATCH, M72**



**Type Classification:**

STD - OTCM 37119.

**Use:**

Rifle, Caliber .30, M1; and Rifle, Caliber .30, National Match. The cartridge is designed to be fired only in weapons designated as competition rifles.

**Description:**

BALL Cartridge. The cartridge is identified by head stampings on the base of the cartridge case with either the initials NM (National Match) or the word MATCH. The primer is uncrimped, the bullet has no crimped cannelure, and the case is not crimped to the bullet.

**Tabulated Data:**

DODAC.....	1305-A247
UNO serial number .....	0012
UNO proper shipping name.....	Cartridges for weapons, inert projectile
Weight .....	425 gr
Length.....	3.34 in. (84.8 mm)
Tracer .....	NA
Primer.....	Percussion

U  
AR 5911

Fuze.....	NA
Explosive:	
Type .....	NA
Weight .....	NA
Incendiary:	
Type.....	NA
Weight .....	NA
Propellant:	
Type.....	IMR 4895
Weight .....	50 gr
Performance:	
Chamber pressure.....	50,000 psi
Velocity .....	2640 fps, 78 ft from muzzle

**Shipping and Storage Data:**

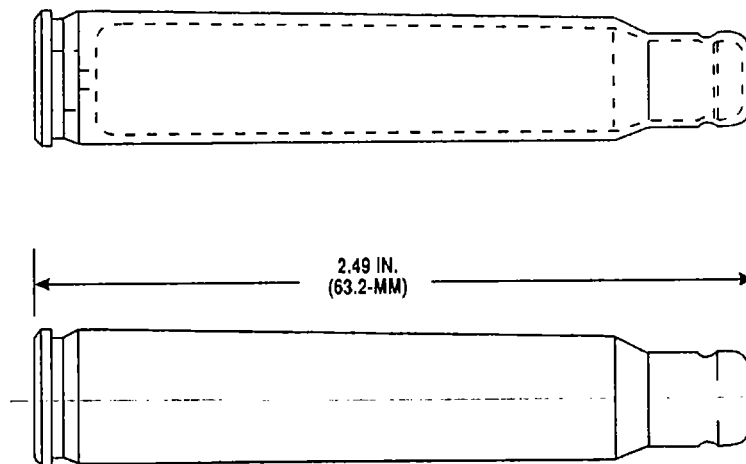
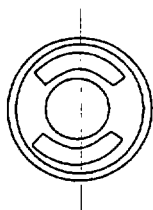
Quantity-distance class/SCG .....	1.4S
Storage code.....	Class V
DOT shipping class .....	C
DOT designation .....	SMALL ARMS AMMUNITION
Drawing number .....	8595432

**References:**

- SB 700-20
- TM 9-1005-222-12P/1
- TM 9-1300-206

**THIS PAGE INTENTIONALLY LEFT BLANK**

**CARTRIDGE, CALIBER .30, BLANK, M1909**



U  
AR 5912

**Type Classification:**

OBS - MSR 11756003.

**Use:**

Machine Guns, Caliber .30, M1919A4 and M1919A6; and Rifle, Caliber .30, M1. The cartridge is used for simulated firing in training or for saluting purposes.

**Description:**

BLANK Cartridge. The cartridge is identified by the absence of a bullet and has a crimped cartridge case mouth.

**Tabulated Data:**

DODAC..... 1305-A222  
 UNO serial number ..... 0014  
 UNO proper shipping name ..... Cartridges for weapons, blank  
 Weight ..... 218 gr  
 Length..... 2.49 in. (63.2 mm)  
 Tracer ..... NA  
 Primer..... Percussion  
 Fuze..... NA

**Explosive:**

Type ..... NA  
 Weight ..... NA

**Incendiary:**

Type ..... NA  
 Weight ..... NA

**Propellant:**

Type ..... SR 4990  
 Weight..... 12 gr

**Performance:**

Chamber pressure..... NA  
 Velocity..... NA

**Shipping and Storage Data:**

Quantity-distance class/  
 SCG ..... 1.4S  
 Storage code..... Class V  
 DOT shipping class ..... C  
 DOT designation ..... SMALL ARMS  
 AMMUNITION  
 Drawing number ..... 6006152

**References:**

SB 700-20  
 TM 9-1005-222-12P/1  
 TM 9-1300-206

**THIS PAGE INTENTIONALLY LEFT BLANK**

**CHAPTER 6**  
**CALIBER .32 CARTRIDGES**

**THIS PAGE INTENTIONALLY LEFT BLANK**



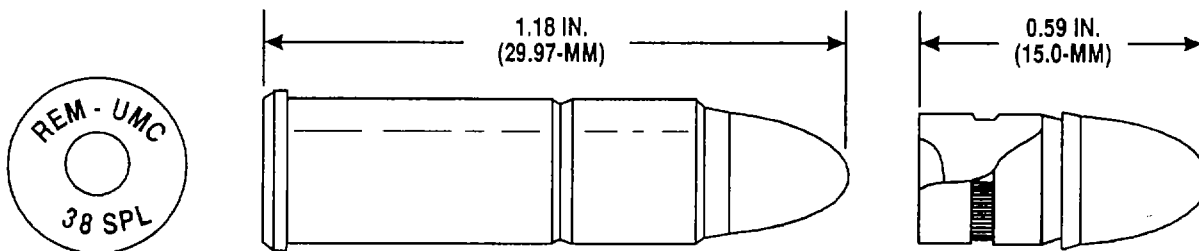


**THIS PAGE INTENTIONALLY LEFT BLANK**

**CHAPTER 7**  
**CALIBER .38 CARTRIDGES**

**THIS PAGE INTENTIONALLY LEFT BLANK**

**CARTRIDGE, CALIBER .38, BALL**



U  
AR 5914

**Type Classification:**

OBS - MSR 11756003.

**Use:**

Caliber .38 weapons. The cartridge is for CONUS-guard or security use in caliber .38 weapons.

**Description:**

BALL Cartridge. The cartridge has an unjacketed lead bullet.

**Tabulated Data:**

DODAC.....	1305-A408
UNO serial number .....	0012
UNO proper shipping name .....	Cartridges for weapons, inert projectile
Weight .....	196 gr
Length.....	1.18 in. (29.97 mm)
Tracer .....	NA
Primer.....	Percussion
Fuze.....	NA
Explosive:	
Type .....	NA

Weight.....	NA
Incendiary:	
Type .....	NA
Weight.....	NA
Propellant:	
Type .....	Smokeless powder
Weight.....	MBR

**Performance:**

Chamber pressure.....	13,000 psi
Velocity.....	725 fps, 15 ft from muzzle

**Shipping and Storage Data:**

Quantity-distance class/SCG .....	1.4S
Storage code.....	Class V
DOT shipping class .....	C
DOT designation .....	SMALL ARMS AMMUNITION
Drawing .number.....	10524005

**References:**

SB 700-20  
 TM 9-1005-206-14&P-1  
 TM 9-1005-206-14P/3  
 TM 9-1300-206

**THIS PAGE INTENTIONALLY**

**CARTRIDGE, CALIBER .38, BALL, SPECIAL, M41**

**Type Classification:**

OBS - MSR 08836015.

**Use:**

Revolver. The cartridge is intended for use in personal defense hand guns.

**Description:**

BALL Cartridge. The cartridge has a jacketed bullet.

**Tabulated Data:**

DODAC.....	1305-A400
UNO serial number .....	0012
UNO proper shipping name .....	Cartridges for weapons, insert projectile
Weight .....	203 gr
Length.....	1.55 in. (39.4 mm)
Tracer .....	NA
Primer.....	Percussion
Fuze.....	NA
Explosive:	
Type .....	NA
Weight.....	NA
Incendiary:	

Type .....	NA
Weight.....	NA
Propellant:	
Type .....	SR 7325
Weight.....	4.8 gr

**Performance:**

Chamber pressure.....	16,000 psi
Velocity.....	950 fps, 15 ft from muzzle

**Shipping and Storage Data:**

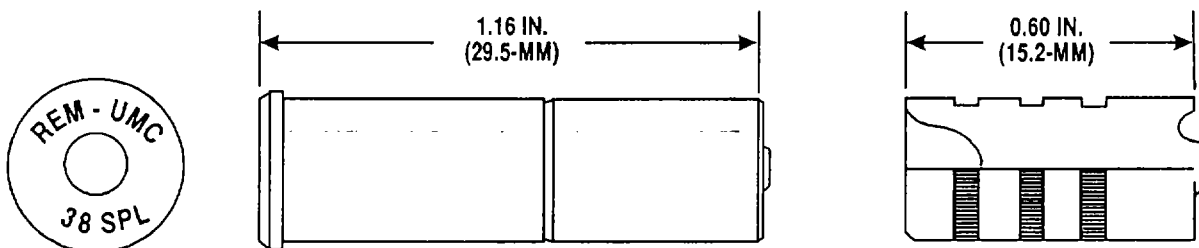
Quantity-distance class/SCG .....	1.4S
Storage code.....	Class V
DOT shipping class .....	C
DOT designation .....	SMALL ARMS AMMUNITION
Drawing number .....	7553580

**References:**

SB 700-20  
 TM 9-1005-206-14&P-1  
 TM 9-1005-206-14P/3  
 TM 9-1300-206

**THIS PAGE INTENTIONALLY LEFT BLANK**

**CARTRIDGE, CALIBER .38, WAD CUTTER**



U  
AR 5915

**Type Classification:**

Commercial.

**Use:**

Revolver, Special, S & W, K-38. The cartridge is used only in pistol competition firing and marksmanship training.

**Description:**

WAD CUTTER Cartridge.

**Function:**

The bullet is designed with a concave forward end to act as a paper punch cutting a clean hole in targets.

**Tabulated Data:**

DODAC..... 1305-A404  
 UNO serial number ..... 0012  
 UNO proper shipping name ..... Cartridges for weapons, inert projectile  
 Weight ..... 220 gr  
 Length ..... 1.16 in. (29.5 mm)  
 Tracer ..... NA  
 Primer..... Percussion  
 Fuze..... NA

Explosive:

Type ..... NA  
 Weight ..... NA  
 Incendiary:  
 Type ..... NA  
 Weight ..... NA  
 Propellant:  
 Type ..... Smokeless powder  
 Weight ..... MBR

**Performance:**

Chamber pressure..... 16,000 psi  
 Velocity ..... 800 fps, 15 ft from muzzle

**Shipping and Storage Data:**

Quantity-distance class/  
 SCG ..... 1.4S  
 Storage code..... Class V  
 DOT shipping class ..... C  
 DOT designation ..... SMALL ARMS AMMUNITION  
 Drawing number ..... 10521459

**References:**

SB 700-20  
 TM 9-1005-206-14&P-1  
 TM 9-1005-206-14P/3  
 TM 9-1300-206

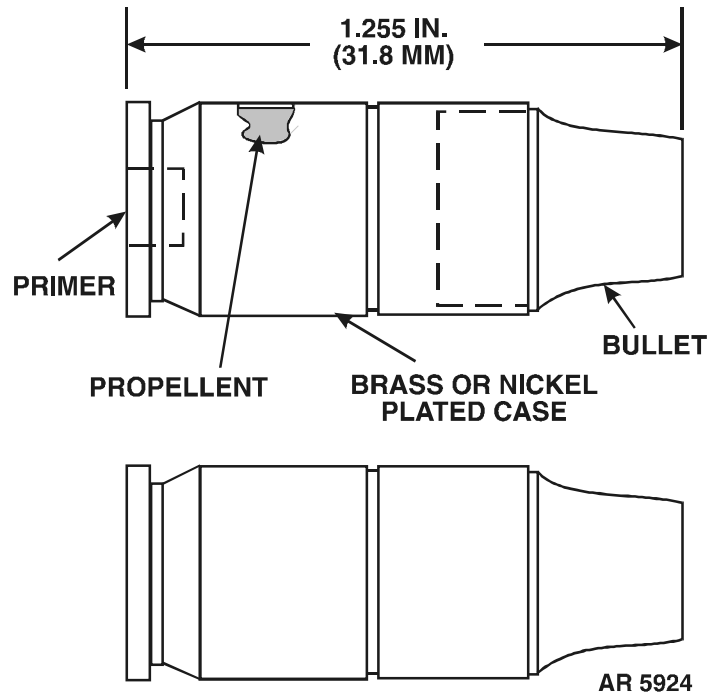


**THIS PAGE INTENTIONALLY LEFT BLANK**

**CHAPTER 8**  
**CALIBER .45 CARTRIDGES**

**THIS PAGE INTENTIONALLY LEFT BLANK**

**CARTRIDGE, CALIBER .45, WAD CUTTER**



**Type Classification:**

OBS - MSR 08836015.

**Use:**

Pistol, Caliber .45, M1911A1; and Pistol, Caliber .45, National Match.

**Description:**

WAD CUTTER Cartridge. The cartridge is identified by the bullet shape which has the general appearance of a truncated cone.

**Function:**

The ogive of the bullet has a sharp shoulder that acts as a hole punch to cut a clean hole in the target.

**Tabulated Data:**

DODAC .....	1305-A482
UNO serial number .....	0012
UNO proper shipping name .....	Cartridges for weapons, inert projectile
Weight .....	330 gr
Length .....	1.255 in. (31.8 mm)
Tracer .....	NA
Primer .....	Percussion
Fuze .....	NA
Explosive:	
Type .....	NA
Weight .....	NA
Incendiary:	
Type .....	NA
Weight .....	NA
Propellant:	
Type .....	Smokeless powder
Weight .....	MBR
Projectile:	
Weight .....	185 gr

**Performance:**

Chamber pressure..... 18,000 psi  
Velocity ..... 765 fps, 15 ft  
from muzzle

**Shipping and Storage Data:**

Quantity-distance class/SCG..... 1.4S  
Storage code ..... Class V  
DOT shipping class ..... C

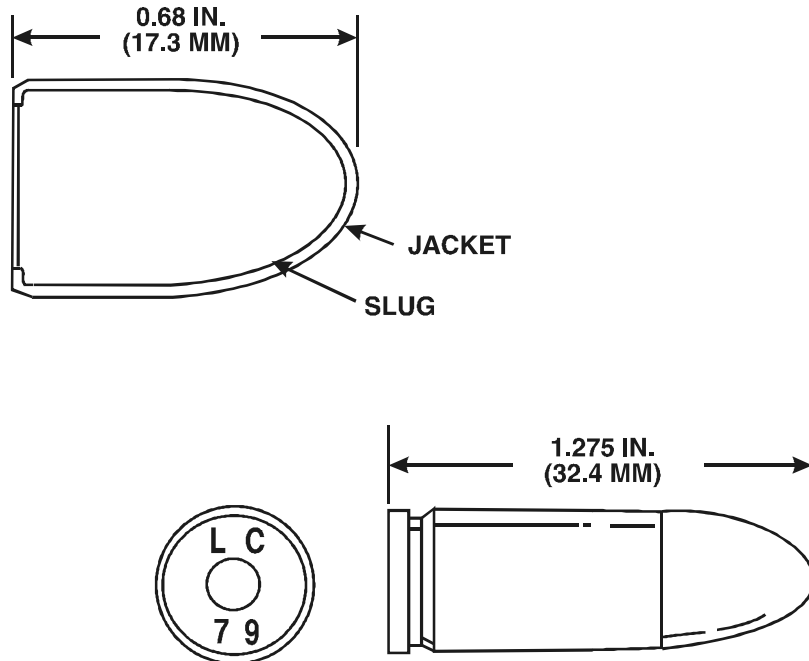
DOT designation..... SMALL ARMS  
AMMUNITION  
Drawing number ..... 10521458

**References:**

SB 700-20  
TM 9-1005-211-12  
AR 385-64  
DA Pam 385-64



**CARTRIDGE, CALIBER .45, BALL, HIGH PRESSURE TEST, M1**



**AR 5921**

**Type Classification:**

STD - OTCM 36841.

**Use:**

Test of all caliber .45 weapons. The cartridge is for proof testing caliber .45 pistols and submachine guns during manufacture, test, or repair.

**Description:**

BALL Cartridge. The cartridge is identified by a stannic-stained (silvered) cartridge case.

**Tabulated Data:**

DODAC ..... 1305-A480  
 UNO serial number ..... 0012  
 UNO proper shipping name ..... Cartridges for weapons, inert projectile

Weight ..... 332 gr  
 Length ..... 1.275 in. (32.4 mm)  
 Tracer ..... NA  
 Primer ..... Percussion  
 Fuze ..... NA  
 Explosive:  
     Type ..... NA  
     Weight ..... NA  
 Incendiary:  
     Type ..... NA  
     Weight ..... NA  
 Propellant:  
     Type ..... SR 7970  
     Weight ..... 7 gr  
 Projectile:  
     Weight ..... 234-236 gr

**Performance:**

Chamber pressure ..... 22,000 psi  
 Velocity ..... NA

**Shipping and Storage Data:**

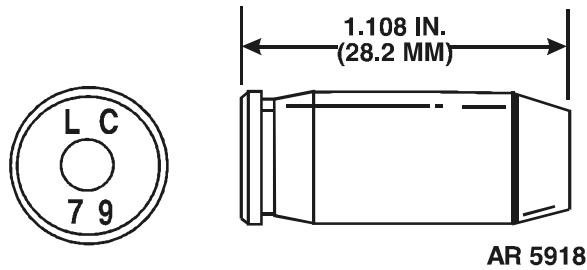
Quantity-distance class/SCG..... 1.4S  
Storage code ..... Class V  
DOT shipping class ..... C  
DOT designation ..... SMALL ARMS  
  AMMUNITION  
Drawing number ..... C6000502

**References:**

SB 700-20  
TM 9-1005-211-12  
TM 9-1005-229-12  
AR 385-64  
DA Pam 385-64



**CARTRIDGE, CALBIER .45, BLANK, M9**



**Type Classification:**

STD - AMCTC 505.

**Use:**

Pistol, Automatic, Caliber .45, M1911A1. The cartridge is used for simulated firing in training maneuvers and for saluting purposes.

**Description:**

BLANK Cartridge. The cartridge is identified by the absence of a bullet and the tapered mouth of the cartridge case.

**Tabulated Data:**

DODAC .....	1305-A476
UNO serial number .....	0014
UNO proper shipping name .....	Cartridges for weapons, blank
Weight .....	104 gr
Length .....	1.108 in. (28.2 mm)
Tracer .....	NA
Primer .....	Percussion
Fuze .....	NA
Explosive:	
Type .....	NA
Weight .....	NA

Incendiary:

Type .....	NA
Weight .....	NA

Propellant:

Type .....	SR 4990
Weight .....	10 gr

Projectile:

Weight .....	NA
--------------	----

**Performance:**

Chamber pressure .....	NA
Velocity .....	NA

**Shipping and Storage Data:**

Quantity-distance class/SCG .....	1.4S
Storage code .....	Class V
DOT shipping class .....	C
DOT designation .....	SMALL ARMS AMMUNITION
Drawing number .....	10523805

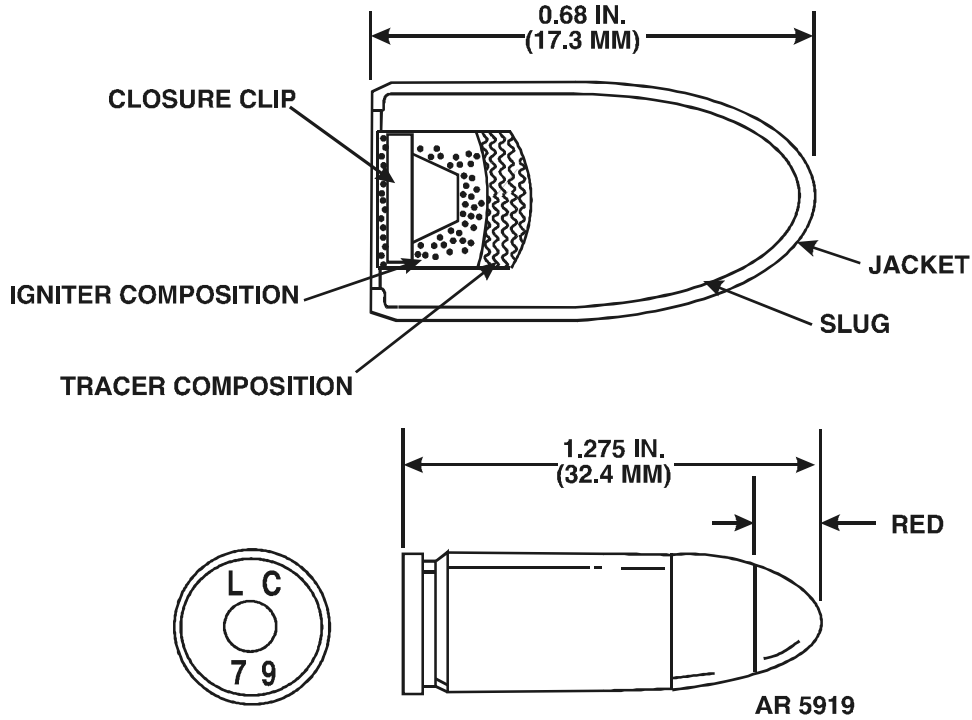
**References:**

- SB 700-20
- TM 9-1005-211-12
- AR 385-64
- DA Pam 385-64



**THIS PAGE INTENTIONALLY LEFT BLANK**

**CARTRIDGE, CALIBER .45, TRACER, M26**



**Type Classification:**

CON - MSR 11756003.

**Use:**

Submachine Gun, Caliber .45, M3A1; and Pistol, Caliber .45, M1911A1. The tracer is intended to permit observation of the bullet's in-flight path or trajectory to the point of impact.

**Description:**

TRACER Cartridge. The cartridge is identified by a red bullet tip.

**Tabulated Data:**

DODAC .....	1305-A479
UNO serial number .....	0012
UNO proper shipping name .....	Cartridges for weapons, inert projectile

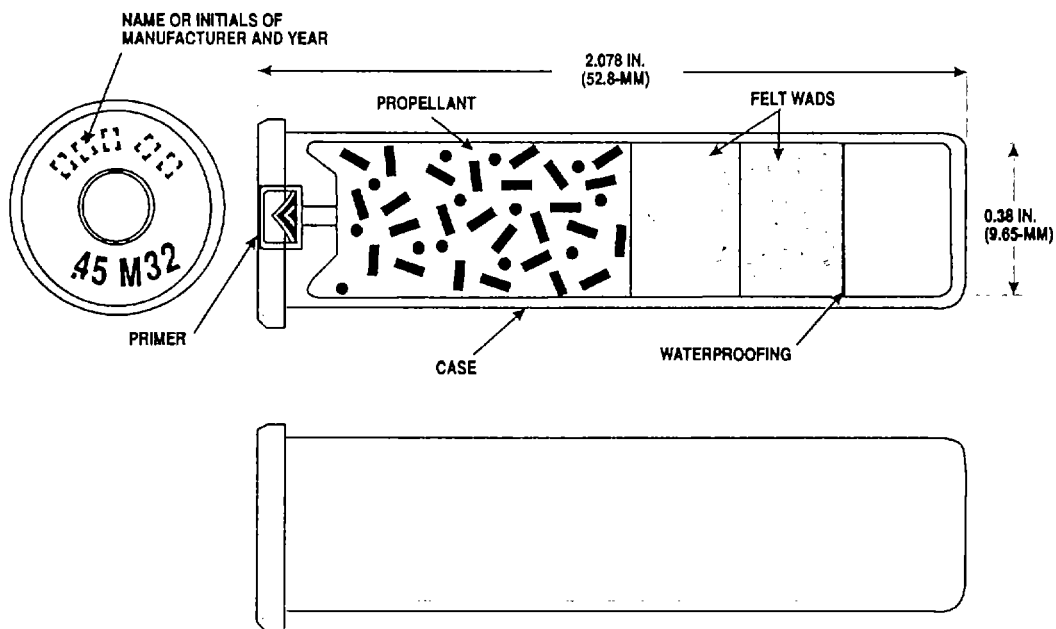
Weight .....	331 gr
Length .....	1.275 in. (32.4 mm)
Tracer .....	R256
Primer.....	Percussion
Fuze .....	NA
Explosive:	
Type .....	NA
Weight .....	NA
Incendiary:	
Type .....	NA
Weight .....	NA
Propellant:	
Type .....	SR 7970
Weight .....	6 gr
Projectile:	
Weight .....	208 gr

**Performance:**

Chamber pressure .....	19,000 psi
Velocity .....	885 fps, 25.5 ft from muzzle



**CARTRIDGE, CALIBER .45, LINE THROWING, M32**



U  
AR 5920

**Type Classification:**

STD A - OTCM 36841.

**Use:**

Line Throwing Gun, Caliber .45/.70.

**Description:**

LINE THROWING Cartridge. The cartridge is composed of a brass case, primer, commercial smokeless powder; and two felt wads coated on both sides with gummed paper. The wads are sealed with red lacquer. The cartridge case mouth is crimped to prevent entry of the line throwing rod.

**Function:**

The line throwing rod is placed in the weapon barrel. Cartridge initiation provides pressure to force the rod out of the barrel and propel the line to the target.

**Tabulated Data:**

DODAC -----1305-A477  
UNO serial number-----0014

UNO proper shipping

name-----	Cartridges for weapons, blank
Weight-----	192 gr
Length-----	2.078 in. (52.8 mm)
Tracer-----	NA
Primer-----	Percussion
Fuze-----	NA
Explosive:	
Type-----	NA
Weight-----	NA
Incendiary:	
Type-----	NA
Weight-----	NA
Propellant:	
Type-----	Smokeless powder
Weight-----	MBR

**Performance:**

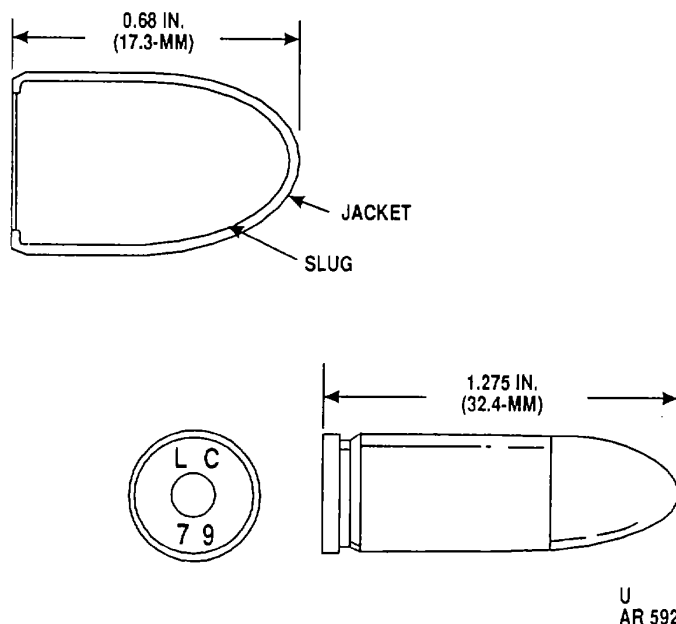
Chamber pressure-----	20,000 psi
Velocity-----	NA

**Shipping and Storage Data:**

Quantity-distance class/ SCG-----	1.4S
Storage code-----	Class V



**CARTRIDGE, CALIBER .45, BALL, M1911**



**Type Classification:**

STD - OTCM 36841.

**Use:**

Submachine Gun, Caliber .45, M3A1; and Pistol, Caliber .45, M1911A1. The cartridge is intended for use against personnel.

**Description:**

BALL Cartridge. The cartridge is identified by the plain bullet tip.

**Tabulated Data:**

DODAC -----1305-A475  
 UNO serial number-----0012  
 UNO proper shipping  
 name -----Cartridges for  
 weapons, inert  
 projectile  
 Weight-----331 gr  
 Length-----1.275 in. (32.4 mm)  
 Tracer-----NA  
 Primer -----Percussion  
 Fuze-----NA

**Explosive:**

Type ----- NA  
 Weight----- NA

**Incendiary:**

Type ----- NA  
 Weight----- NA

**Propellant:**

Type ----- SR 7970  
 Weight----- 5 gr

**Performance:**

Chamber pressure----- 19,000 psi  
 Velocity----- 885 ± 25 fps,  
 25.5 ft from muzzle

**Shipping and Storage Data:**

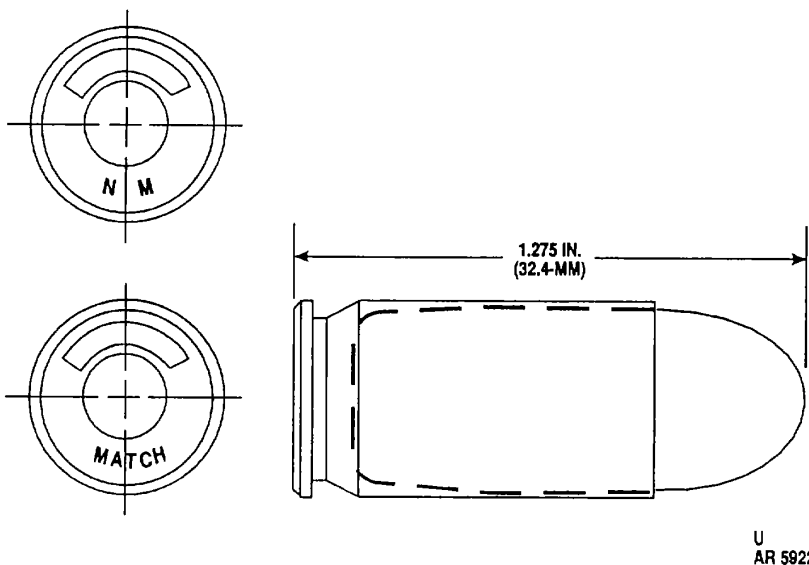
Quantity-distance class/  
 SCG----- 1.4S  
 Storage code----- Class V  
 DOT shipping class----- C  
 DOT designation ----- SMALL ARMS  
 AMMUNITION  
 Drawing number----- 6000503

**References:**

SB 700-20  
 TM 9-1005-211-12  
 TM 9-1005-229-12  
 TM 9-1300-206

**THIS PAGE INTENTIONALLY LEFT BLANK**

**CARTRIDGE, CALIBER .45, BALL, MATCH, M1911**



**Type Classification:**

STD - OTCM 36841.

**Use:**

Pistol, Caliber .45, M1911A1; and Pistol, Caliber .45, National Match. The cartridge is to be used only in those weapons designated as competition pistols.

**Description:**

BALL Cartridge. The cartridge is identified by head stampings, either NM (National Match) or MATCH, on the base of the cartridge case.

**Tabulated Data:**

DODAC ----- 1305-A483  
 UNO serial number-----0012  
 UNO proper shipping  
 name ----- Cartridges for  
 weapons, inert pro-  
 jectile  
 Weight----- 334 gr  
 Length ----- 1.275 in. (32.4 mm)  
 Tracer----- NA  
 Primer ----- Percussion  
 Fuze----- NA

**Explosive:**

Type ----- NA  
 Weight----- NA

**Incendiary:**

Type ----- NA  
 Weight----- NA

**Propellant:**

Type ----- SR 7970  
 Weight----- 5 gr

**Performance:**

Chamber pressure----- 19,000 psi  
 Velocity----- 885 ± 25 fps,  
 25.5 ft from muzzle

**Shipping and Storage Data:**

Quantity-distance class/  
 SCG----- 1.4S  
 Storage code----- NA  
 DOT shipping class----- C  
 DOT designation ----- SMALL ARMS  
 AMMUNITION  
 Drawing number----- 8596136

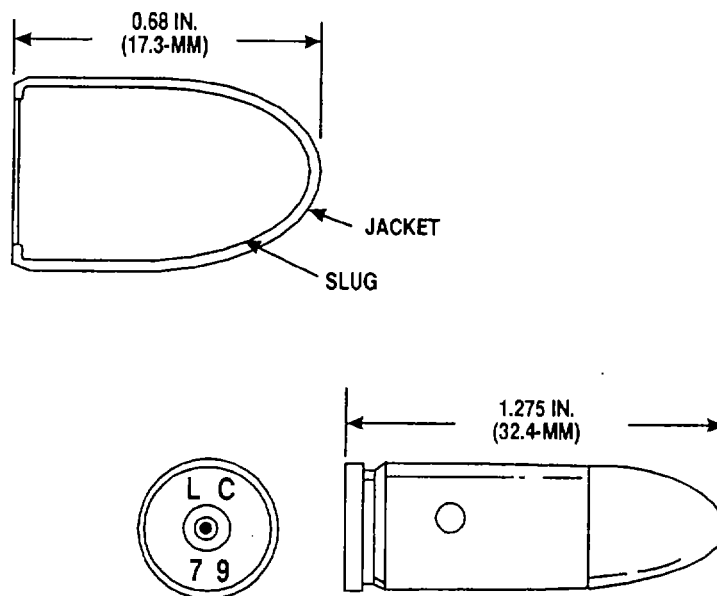
**References:**

SB 700-20  
 TM 9-1005-211-12  
 TM 9-1300-206



**THIS PAGE INTENTIONALLY LEFT BLANK**

**CARTRIDGE, DUMMY, CALIBER .45, M1921**



U  
AR 5923

**Type Classification:**

STD - OTCM 36841.

**Use:**

Submachine Gun, Caliber .45, M3A1; and Pistol, Caliber .45, M1911A1. The cartridge is used during simulated firing exercises to detect flinching of personnel when firing, and to inspect and test the mechanism of the weapons.

**Description:**

DUMMY Cartridge. The cartridge is identified by the drilled holes in the cartridge case and the absence of a primer.

**Tabulated Data:**

DODAC	-----	1305-A501
Weight	-----	305 gr
Length	-----	1.275 in. (32.4 mm)
Tracer	-----	NA
Primer	-----	NA
Fuze	-----	NA
Explosive:		
Type	-----	NA
Weight	-----	NA

Incendiary:

    Type ----- NA  
    Weight ----- NA

Propellant:

    Type ----- NA  
    Weight ----- NA

**Performance:**

Chamber pressure ----- NA  
Velocity ----- NA

**Shipping and Storage Data:**

Quantity-distance class/	
SCG	----- NA
Storage code	----- NA
DOT shipping class	----- NA
DOT designation	----- NONEXPLOSIVE
	AMMUNITION
Drawing number	----- 6006253

**References:**

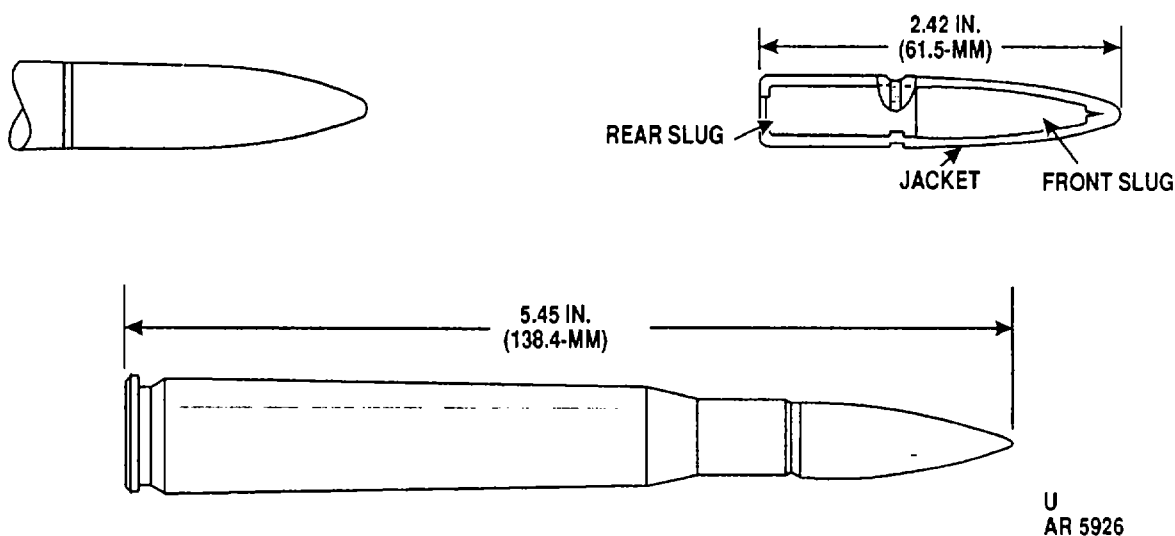
SB 700-20  
TM 9-1005-211-12  
TM 9-1005-229-12  
TM 9-1300-206

**THIS PAGE INTENTIONALLY LEFT BLANK**

**CHAPTER 9**  
**CALIBER .50 CARTRIDGES**

**THIS PAGE INTENTIONALLY LEFT BLANK**

**CARTRIDGE, CALIBER .50, BALL, HIGH PRESSURE TEST, M1**



**Type Classification:**

STD - OTCM 36841.

**Use:**

All caliber .50 weapons except M8C Spotting Gun. The cartridge is intended for use in proof testing caliber .50 weapons (except the 106mm Spotting Rifle) during manufacture, test, or repair.

**Description:**

BALL Cartridge. The cartridge is identified by a stannic-stained (silvered) cartridge case.

**Tabulated Data:**

DODAC ----- 1305-A575  
 UNO serial number ----- 0339  
 UNO proper shipping name ----- Cartridges for weapons, inert projectile  
 Weight ----- 2082 gr  
 Length ----- 5.45 in. (138.4 mm)  
 Tracer ----- NA  
 Primer ----- Percussion  
 Fuze ----- NA

Explosive:

Type ----- NA  
 Weight ----- NA

Incendiary:

Type ----- NA  
 Weight ----- NA

Propellant:

Type ----- WC 860  
 Weight ----- 240 gr

**Performance:**

Chamber pressure ----- 65,000 psi  
 Velocity ----- NA

**Shipping and Storage Data:**

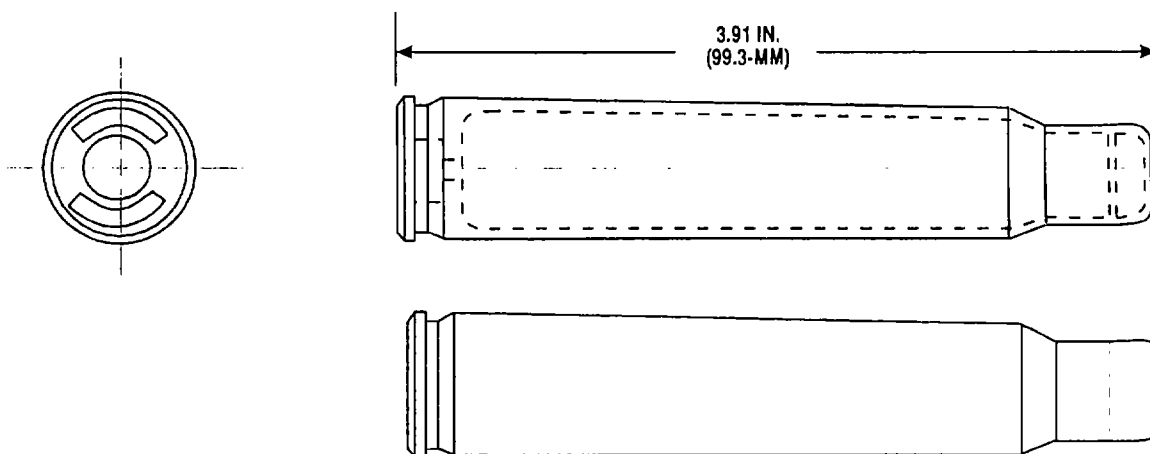
Quantity-distance class/  
 SCG ----- 1.4S  
 Storage code ----- Class V  
 DOT shipping class ----- C  
 DOT designation ----- SMALL ARMS  
 AMMUNITION  
 Drawing number ----- 5544097

**References:**

SB 700-20  
 TM 9-1005-213-10  
 TM 9-1005-231-10  
 TM 9-1300-206

**THIS PAGE INTENTIONALLY LEFT BLANK**

**CARTRIDGE, CALIBER .50, BLANK, M1**



U  
AR 5928

**Type Classification:**

CONT - OTCM 36841.

**Use:**

Machine Gun, Caliber .50, M2 (flexible only). The cartridge is used to simulate firing in training exercises.

**Description:**

BLANK Cartridge. The cartridge is identified by the absence of a bullet and has crimped cartridge case mouth.

**Tabulated Data:**

DODAC -----1305-A558  
 UNO serial number-----0338  
 UNO proper shipping  
 name -----Cartridges for  
 weapons, blank  
 Weight-----917 gr  
 Length -----3.91 in. (99.3 mm)  
 Tracer-----NA  
 Primer -----Percussion  
 Fuze-----NA

**Explosive:**

Type ----- NA  
 Weight----- NA

**Incendiary:**

Type ----- NA  
 Weight----- NA

**Propellant:**

Type ----- WC 150  
 Weight----- 46 gr

**Performance:**

Chamber pressure----- NA  
 Velocity----- NA

**Shipping and Storage Data:**

Quantity-distance class/  
 SCG----- 1.4C  
 Storage code----- Class V  
 DOT shipping class----- C  
 DOT designation ----- SMALL ARMS  
 AMMUNITION  
 Drawing number----- 7673517

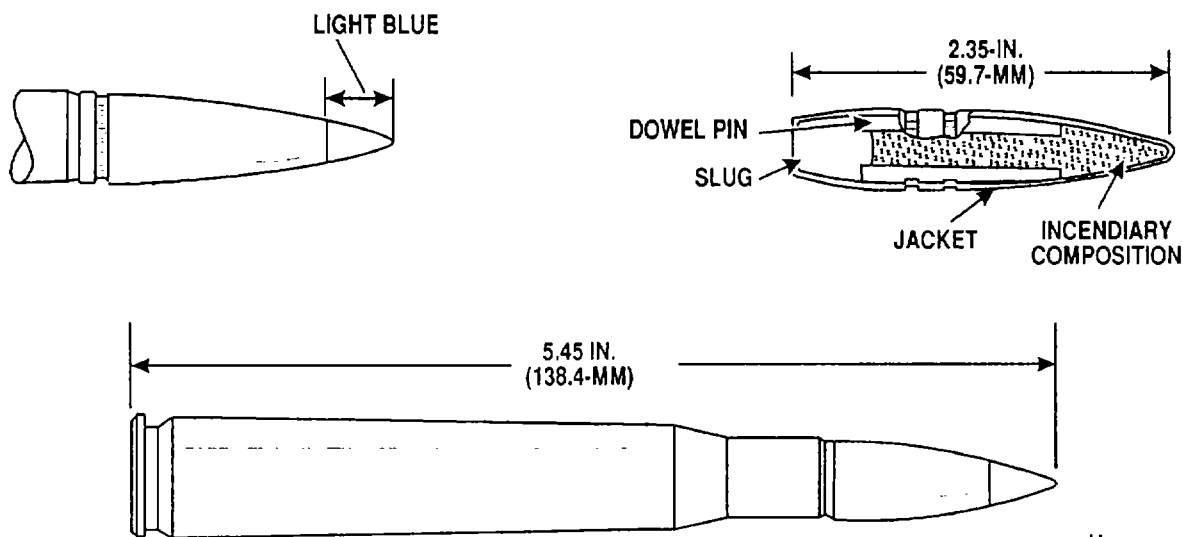
**References:**

SB 700-20  
 TM 9-1005-213-10  
 TM 9-1005-231-10  
 TM 9-1300-206



**THIS PAGE INTENTIONALLY LEFT BLANK**

**CARTRIDGE, CALIBER .50, INCENDIARY, M1**



U  
AR 5927

**Type Classification:**

OBS - MSR 11756003.

**Use:**

Machine Guns, Caliber .50, M2 and M85.

**Description:**

INCENDIARY Cartridge. The cartridge is identified by a blue bullet tip.

**Function:**

Upon impact with a hardened or armored target, the incendiary composition bursts into flame and will ignite any flammable material.

**Tabulated Data:**

DODAC -----1305-A562  
 UNO serial number-----0300  
 UNO proper shipping  
 name -----Ammunition,  
 incendiary  
 Weight-----1744 gr  
 Length -----5.45 in, (138.4 mm)  
 Tracer-----NA  
 Primer -----Percussion  
 Fuze-----NA

**Explosive:**

Type ----- NA  
 Weight----- NA

**Incendiary:**

Type ----- IM 11  
 Weight----- 34 gr

**Propellant:**

Type ----- WC 860  
 Weight----- 240 gr

**Performance:**

Chamber pressure----- 54,000 psi  
 Velocity----- 2950 fps, 78 ft from  
 muzzle

**Shipping and Storage Data:**

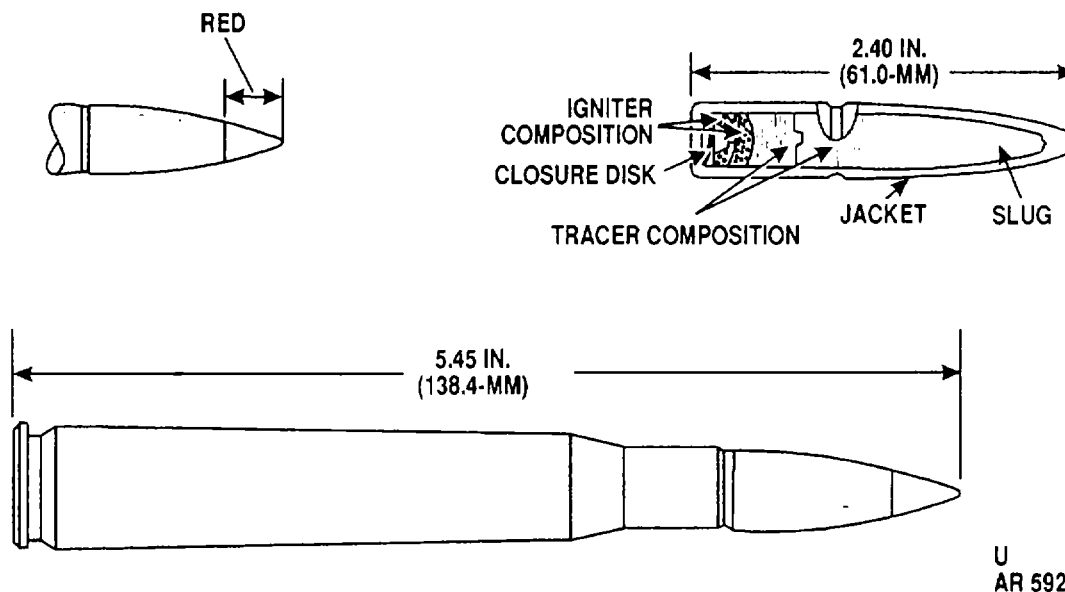
Quantity-distance class/  
 SCG----- 1.4C  
 Storage code----- Class V  
 DOT shipping class----- C  
 DOT designation ----- SMALL ARMS  
 AMMUNITION  
 Drawing number----- 5579812

**References:**

SB 700-20  
 TM 9-1005-213-10  
 TM 9-1005-231-10  
 TM 9-1300-206

**THIS PAGE INTENTIONALLY LEFT BLANK**

**CARTRIDGE, CALIBER .50, TRACER, M1**



**Type Classification:**

OBS - MSR 11756003.

**Use:**

Machine Guns, Caliber .50, M2 and M85. The tracer is intended to permit visible observation of the bullet's in-flight path or trajectory to the point of impact. Limited to CONUS for training purposes only.

**Description:**

TRACER Cartridge. The cartridge is identified by a red bullet tip.

**Tabulated Data:**

DODAC -----1305-A591  
 UNO serial number-----0362  
 UNO proper shipping  
 name -----Ammunition, practice  
 Weight-----1785 gr  
 Length -----5.45 in. (138.4 mm)  
 Tracer-----R256  
 Primer -----Percussion  
 Fuze-----NA

**Explosive:**

Type ----- NA  
 Weight----- NA

**Incendiary:**

Type ----- NA  
 Weight----- NA

**Propellant:**

Type ----- IMR 5010  
 Weight----- 240 gr

**Performance:**

Chamber pressure ----- 52,000 psi  
 Velocity ----- 2700 fps, 78 ft from  
 muzzle

**Shipping and Storage Data:**

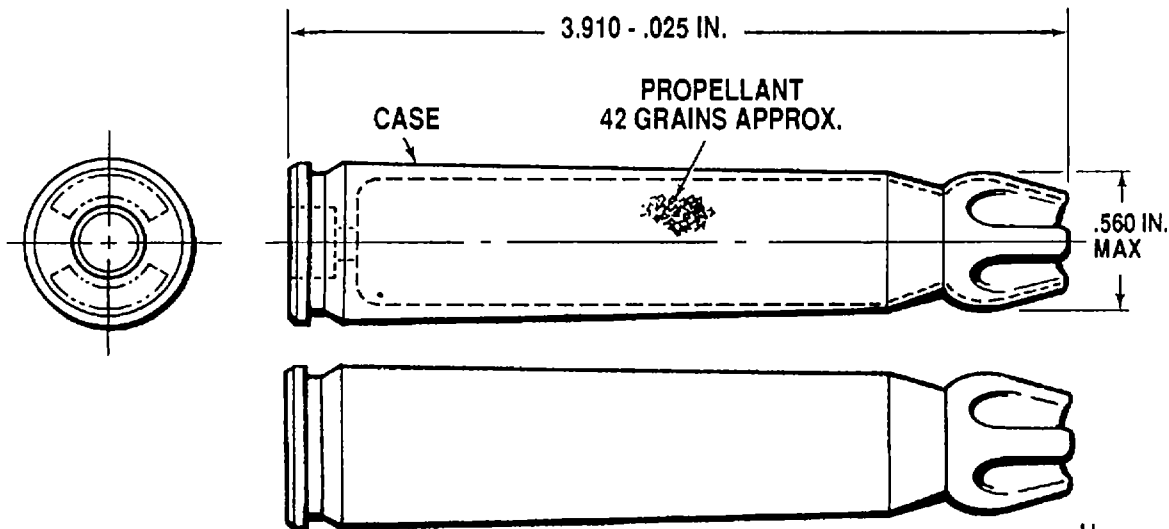
Quantity-distance class/  
 SCG----- 1.4C  
 Storage code----- Class V  
 DOT shipping class----- C  
 DOT designation ----- SMALL ARMS  
 AMMUNITION  
 Drawing number----- 5544843

**References:**

SB 700-20  
 TM 9-1300-206

**THIS PAGE INTENTIONALLY LEFT BLANK**

**CARTRIDGE, CALIBER .50, BLANK, M1A1**



**Type Classification:**

STD - MSR 02806015.

**Use:**

Machine Gun, Caliber .50, M2 with the M19 Blank Ammunition Firing Attachment; and Machine Gun, Caliber .50, M85 with the M20 Blank Firing Attachment. The cartridge is used to simulate firing in training exercises.

**Description:**

BLANK Cartridge. The cartridge is identified by the absence of a bullet. The M1A1 differs from the M1 in that the M1A1 has a rosette crimp at the mouth. Also, the M1A1 is loaded with Dupont Hi Skor 700X propellant.

**Tabulated Data:**

DODAC -----1305-A559  
 UNO serial number-----0338  
 UNO proper shipping  
 name -----Cartridges for  
 weapons, blank  
 Weight-----915 to 955 gr  
 Length -----3.91 in. (99.3 mm)  
 Tracer-----NA  
 Primer -----Percussion

Fuze----- NA  
 Explosive:  
 Type ----- NA  
 Weight----- NA  
 Incendiary:  
 Type ----- NA  
 Weight----- NA  
 Propellant:  
 Type ----- Dupont Hi Skor  
 700X  
 Weight----- 42 gr

**Performance:**

Chamber pressure----- NA  
 Velocity----- NA

**Shipping and Storage Data:**

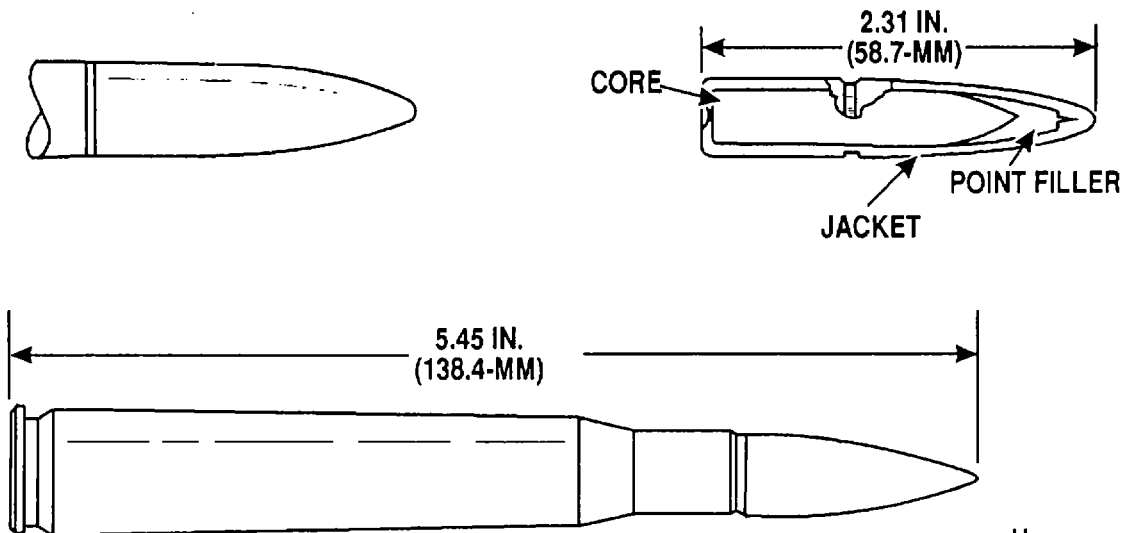
Quantity-distance class/  
 SCG----- 1.4S  
 Storage code----- Class V  
 DOT shipping class----- C  
 DOT designation ----- SMALL ARMS  
 AMMUNITION  
 Drawing number----- 9341551

**References:**

DARCOM 700-3-2

**THIS PAGE INTENTIONALLY LEFT BLANK**

**CARTRIDGE, CALIBER .50, BALL, M2**



U  
AR 5932

**Type Classification:**

STD - OTCM 36841.

**Use:**

Machine Guns, Caliber .50, M2 and M85. The cartridge is intended for use against personnel or unarmored targets.

**Description:**

BALL Cartridge. The cartridge is identified by a plain bullet.

**Tabulated Data:**

DODAC -----1305-A552  
 UNO serial number-----0339  
 UNO proper shipping  
 name -----Cartridges for  
 weapons, inert pro-  
 jectile  
 Weight-----1813 gr  
 Length -----5.45 in. (138.4 mm)  
 Tracer-----NA  
 Primer -----Percussion  
 Fuze-----

**Explosive:**

Type ----- NA  
 Weight----- NA

**Incendiary:**

Type ----- NA  
 Weight----- NA

**Propellant:**

Type ----- WC 860  
 Weight----- 235 gr

**Performance:**

Chamber pressure----- 55,000 psi  
 Velocity----- 2810 fps, 78 ft from  
 muzzle

**Shipping and Storage Data:**

Quantity-distance class/  
 SCG----- 1.4C  
 Storage code----- Class V  
 DOT shipping class----- C  
 DOT designation ----- SMALL ARMS  
 AMMUNITION  
 Drawing number----- 5577960

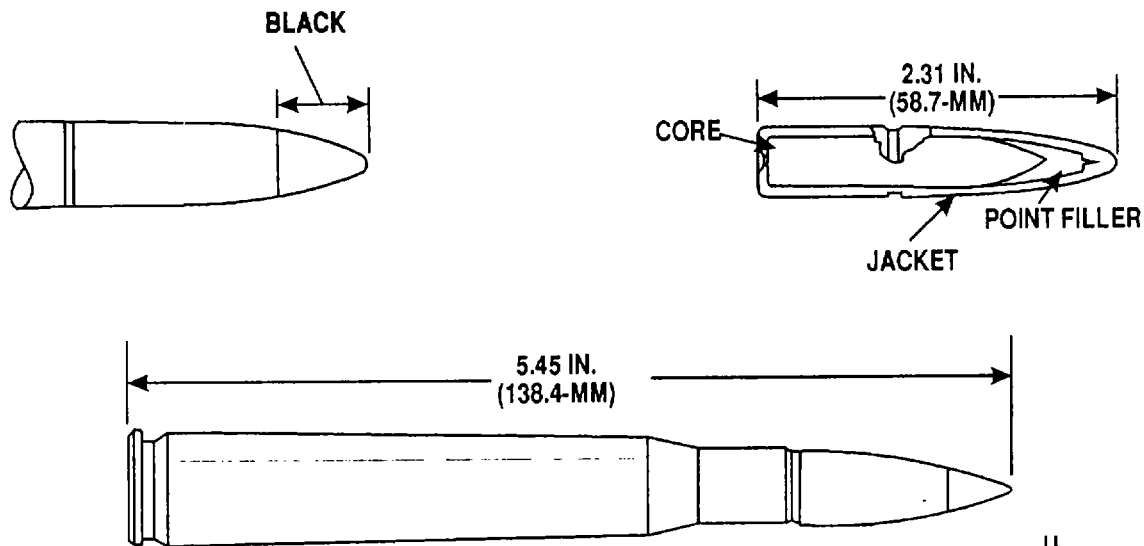
**References:**

SB 700-20  
 TM 9-1005-213-10  
 TM 9-1005-231-10  
 TM 9-1300-206



**THIS PAGE INTENTIONALLY LEFT BLANK**

**CARTRIDGE, CALIBER .50, BALL, ARMOR PIERCING, M2**



U  
AR 5930

**Type Classification:**

OBS - MSR 11756003.

**Use:**

Machine Guns, Caliber .50, M2 and M85. The cartridge is for use against light-armored or unarmored targets, concrete shelters, and similar bullet-resisting targets.

**Description:**

BALL Cartridge. The cartridge is identified by a black bullet tip.

**Tabulated Data:**

DODAC..... 1305-A526  
 UNO serial number ..... 0339  
 UNO proper shipping name..... Cartridges for weapons, inert projectile  
 Weight ..... 1812 gr  
 Length..... 5.45 in. (138.4 mm)  
 Tracer ..... NA  
 Primer..... Percussion  
 Fuze ..... NA

**Explosive:**

Type ..... NA  
 Weight ..... NA

**Incendiary:**

Type ..... NA  
 Weight ..... NA

**Propellant:**

Type ..... WC 860  
 Weight ..... 235 gr

**Performance:**

Chamber pressure..... 53,000 psi  
 Velocity ..... 2810 fps, 78 ft from muzzle

**Shipping and Storage Data:**

Quantity-distance class/  
 SCG..... 1.4C  
 Storage code..... Class V  
 DOT shipping class ..... C  
 DOT designation ..... SMALL ARMS AMMUNITION  
 Drawing number ..... 5569930

**References:**

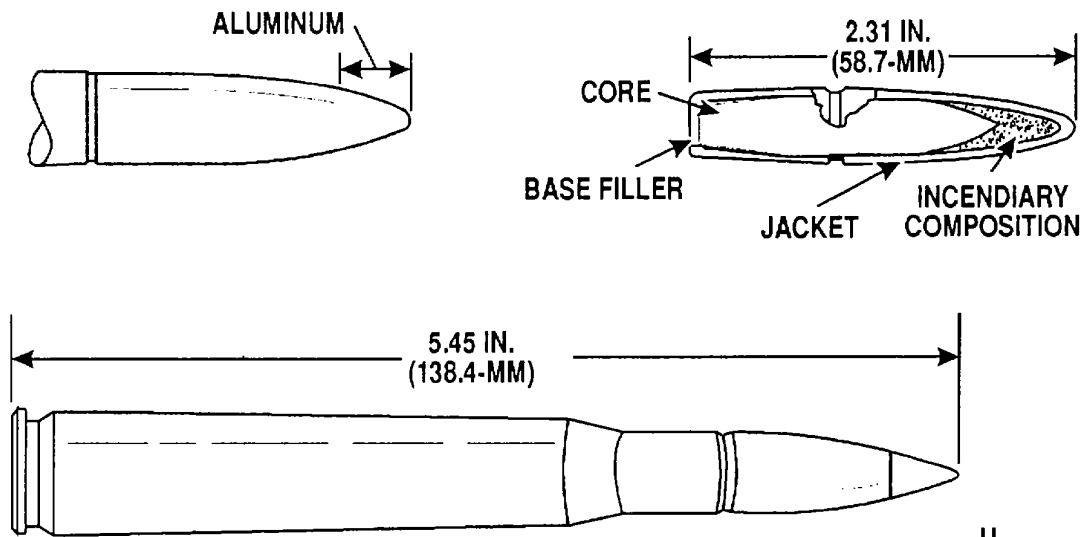
SB 700-20  
 TM 9-1005-213-10  
 TM 9-1005-231-10  
 TM9-1300-206

**THIS PAGE INTENTIONALLY LEFT BLANK**



**THIS PAGE INTENTIONALLY LEFT BLANK**

**CARTRIDGE, CALIBER .50, BALL, ARMOR PIERCING INCENDIARY, M8**



**U  
AR 5933**

**Type Classification:**

OBS - MSR 11756003.

**Use:**

Machine Guns, Caliber .50, M2 and M85. The cartridge combines the functions of the M2 armor piercing bullet and the incendiary bullet, and is used against flammable targets and light-armored or unarmored targets, concrete shelters, and similar bullet-resisting targets.

**Description:**

BALL Cartridge. The cartridge is identified by an aluminum bullet tip.

**Tabulated Data:**

DODAC..... 1305-A531  
 UNO serial number ..... 0300  
 UNO proper shipping  
 name ..... Ammunition,  
 incendiary  
 Weight ..... 1764 gr  
 Length..... 5.45 in. (138.4 mm)  
 Tracer ..... NA  
 Primer..... Percussion  
 Fuze ..... NA  
 Explosive:  
 Type ..... NA

Weight..... NA  
 Incendiary:  
 Type ..... IM 11  
 Weight ..... 15 gr  
 Propellant:  
 Type ..... WC 860  
 Weight..... 233 gr  
 Projectile:  
 Weight..... 622.5 gr

**Performance:**

Chamber pressure..... 59,000 psi  
 Velocity ..... 2910 fps, 78 ft from  
 muzzle

**Shipping and Storage Data:**

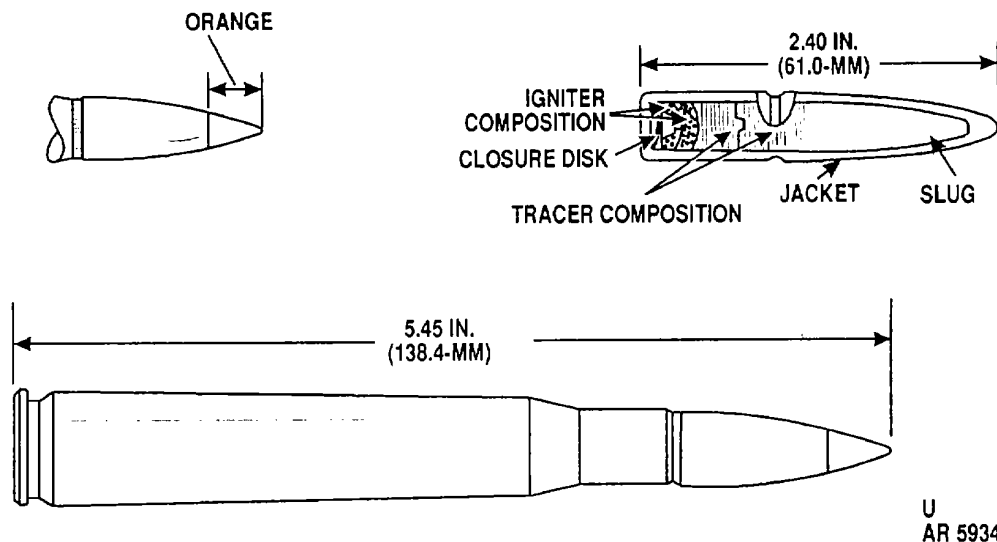
Quantity-distance class/  
 SCG..... 1.4G  
 Storage code..... Class V  
 DOT shipping class ..... C  
 DOT designation ..... SMALL ARMS  
 AMMUNITION  
 Drawing number ..... 7970238

**References:**

SB 700-20  
 TM 9-1005-213-10  
 TM 9-1005-231-10  
 TM 9-1300-206

**THIS PAGE INTENTIONALLY LEFT BLANK**

**CARTRIDGE, CALIBER .50, TRACER, M10**



**Type Classification:**

STD - OTCM 37107.

**Use:**

Machine Guns, Caliber .50, M2 and M85.

**Description:**

TRACER Cartridge. The cartridge is identified by an orange bullet tip.

**Function:**

The tracer cartridge exhibits a visible trace from a point not greater than 100 yards from the muzzle of the weapon to a point not less than 1,600 yards from the muzzle.

**Tabulated Data:**

DODAC..... 1305-A570  
 UNO serial number ..... 0339  
 UNO proper shipping name ..... Cartridges for weapons, inert projectile  
 Weight ..... 1752 gr  
 Length..... 5.45 in. (138.4 mm)  
 Tracer ..... R256  
 Primer..... Percussion  
 Fuze ..... NA

**Explosive:**

Type ..... NA  
 Weight..... NA

**Incendiary:**

Type ..... NA  
 Weight..... NA

**Propellant:**

Type ..... IMR 5010  
 Weight..... 240 gr

**Performance:**

Chamber pressure..... 54,000 psi  
 Velocity..... 2860 fps, 78 ft from muzzle

**Shipping and Storage Data:**

Quantity-distance class/  
 SCG..... 1.4C  
 Storage code..... Class V  
 DOT shipping class ..... C  
 DOT designation ..... SMALL ARMS AMMUNITION  
 Drawing number..... 7670296

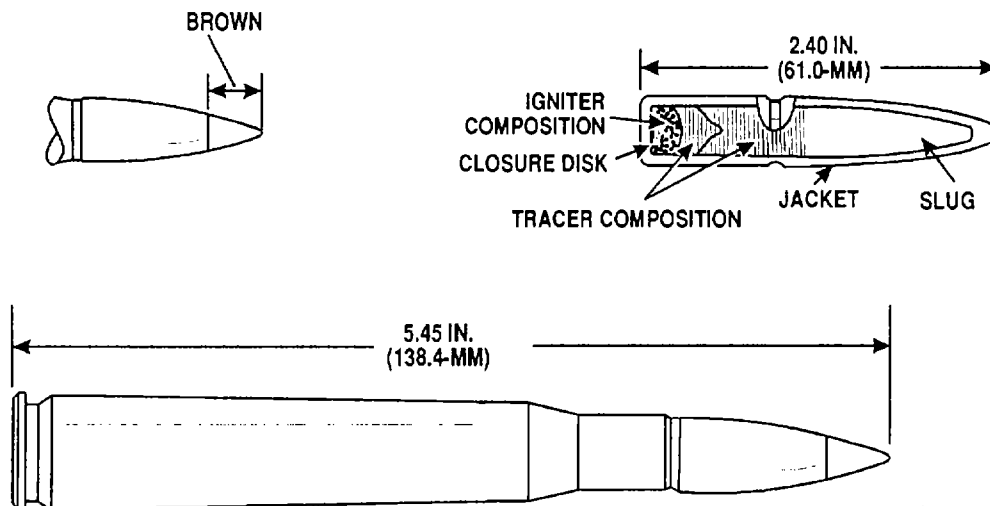
**References:**

SB 700-20  
 TM 9-1005-213-10  
 TM 9-1005-231-10  
 TM 9-1300-206



**THIS PAGE INTENTIONALLY LEFT BLANK**

**CARTRIDGE, CALIBER .50, TRACER, M17**



U  
AR 5935

**Type Classification:**

CON - MSR 11756003.

**Use:**

Machine Guns, Caliber .50, M2 and M85. The cartridge tracer is intended to permit visible observation of the bullets in-flight path or trajectory to the point of impact.

**Description:**

TRACER Cartridge. The cartridge is identified by a brown bullet tip.

**Tabulated Data:**

DODAC..... 1305-A571  
 UNO serial number ..... 0339  
 UNO proper shipping name ..... Cartridges for weapons, inert projectile  
 Weight ..... 1732 gr  
 Length..... 5.45 in. (138.4 mm)  
 Tracer ..... R256  
 Primer..... Percussion  
 Fuze ..... NA

**Explosive:**

Type ..... NA  
 Weight..... NA

**Incendiary:**

Type ..... NA  
 Weight..... NA

**Propellant:**

Type ..... IMR 5010  
 Weight..... 225 gr

**Performance:**

Chamber pressure..... 54,000 psi  
 Velocity..... 2860 fps, 78 ft from muzzle

**Shipping and Storage Data:**

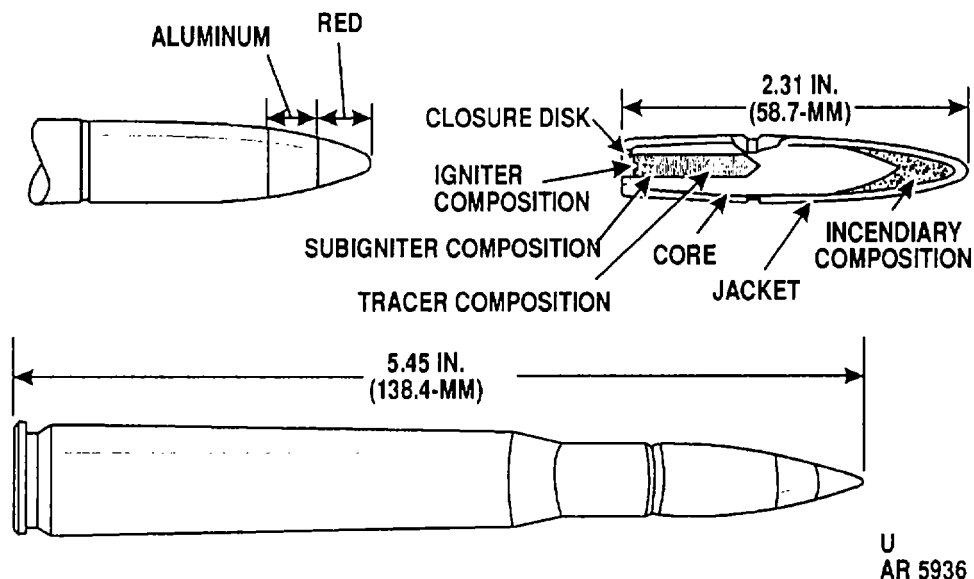
Quantity-distance class/  
 SCG..... 1.4C  
 Storage code..... Class V  
 DOT shipping class ..... C  
 DOT designation ..... SMALL ARMS AMMUNITION  
 Drawing number..... 7672165

**References:**

SB 700-20  
 TM 9-1005-213-10  
 TM 9-1005-231-10  
 TM 9-1300-206

**THIS PAGE INTENTIONALLY LEFT BLANK**

**CARTRIDGE, CALIBER .50, BALL, ARMOR PIERCING INCENDIARY-TRACER, M20**



**Type Classification:**

OBS - MSR 04776009.

**Use:**

Machine Guns, Caliber .50, M2 and M85. The cartridge combines the functions of the armor piercing and the incendiary bullet, and is used against flammable targets and light-armored or unarmored targets, concrete shelters, and similar bullet-resisting targets.

**Description:**

BALL Cartridge. The cartridge is identified by a red bullet tip with an aluminum colored ring to the rear of the red tip.

**Tabulated Data:**

DODAC..... 1305-A542  
 UNO serial number ..... 0300  
 UNO proper shipping name ..... Ammunition, incendiary  
 Weight ..... 1718 gr  
 Length..... 5.45 in. (138.4 mm)  
 Tracer ..... R256  
 Primer..... Percussion  
 Fuze ..... NA

**Explosive:**

Type ..... NA  
 Weight..... NA

**Incendiary:**

Type ..... IM 161  
 Weight..... 27 gr

**Propellant:**

Type ..... IMR 5010  
 Weight..... 230 gr

**Projectile:**

Weight..... 619 gr

**Performance:**

Chamber pressure..... 55,000 psi  
 Velocity..... 2910 fps, 78 ft from muzzle

**Shipping and Storage Data:**

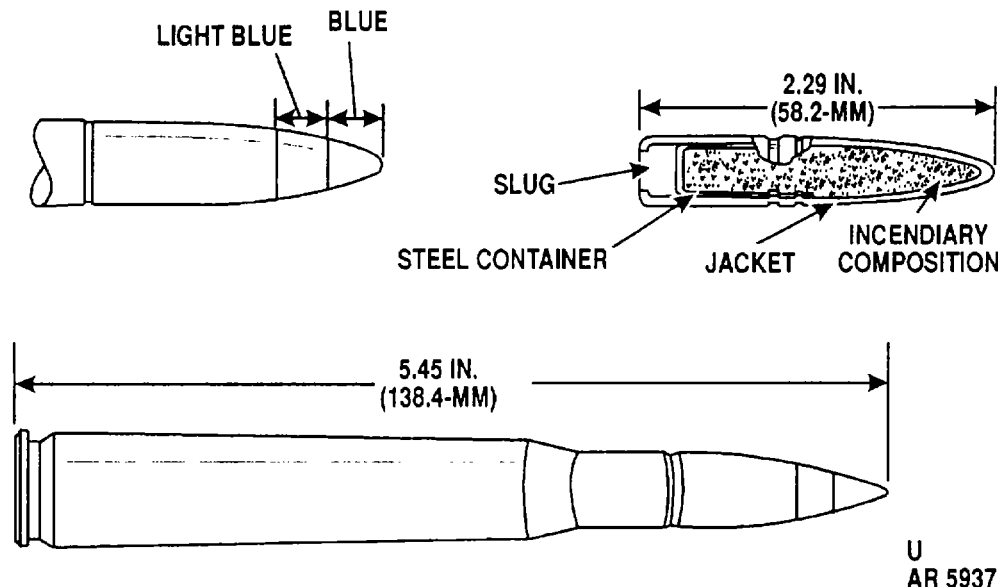
Quantity-distance class/  
 SCG..... 1.4G  
 Storage code..... Class V  
 DOT shipping class ..... C  
 DOT designation ..... SMALL ARMS AMMUNITION  
 Drawing number..... 7672003

**References:**

SB 700-20  
 TM 9-1005-213-10  
 TM 9-1005-231-10  
 TM 9-1300-206

**THIS PAGE INTENTIONALLY LEFT BLANK**

**CARTRIDGE, CALIBER .50, INCENDIARY, M23**



**Type Classification:**

STD - OTCM 36841.

**Use:**

Machine Guns, Caliber .50, M2 and M85. The cartridge is used against flammable targets.

**Description:**

INCENDIARY Cartridge. The cartridge is identified by a blue bullet tip with a light blue ring to the rear of the blue tip.

**Purpose:**

The cartridge is capable of initiating combustion of flammable materials upon target impact at 175 yards.

**Tabulated Data:**

DODAC..... 1305-A563  
 UNO serial number ..... 0300  
 UNO proper shipping name ..... Ammunition, incendiary  
 Weight ..... 1581 gr  
 Length..... 5.45 in. (138.4 mm)  
 Tracer ..... NA  
 Primer----- Percussion

Fuze ..... NA  
 Explosive:  
   Type ..... NA  
   Weight..... NA  
 Incendiary:  
   Type ..... IM 28  
   Weight..... 90 gr  
 Propellant:  
   Type ..... IMR 4831  
   Weight..... 237 gr  
 Performance:  
 Chamber pressure..... 58,000 psi  
 Velocity..... 3400 fps, 78 ft from muzzle

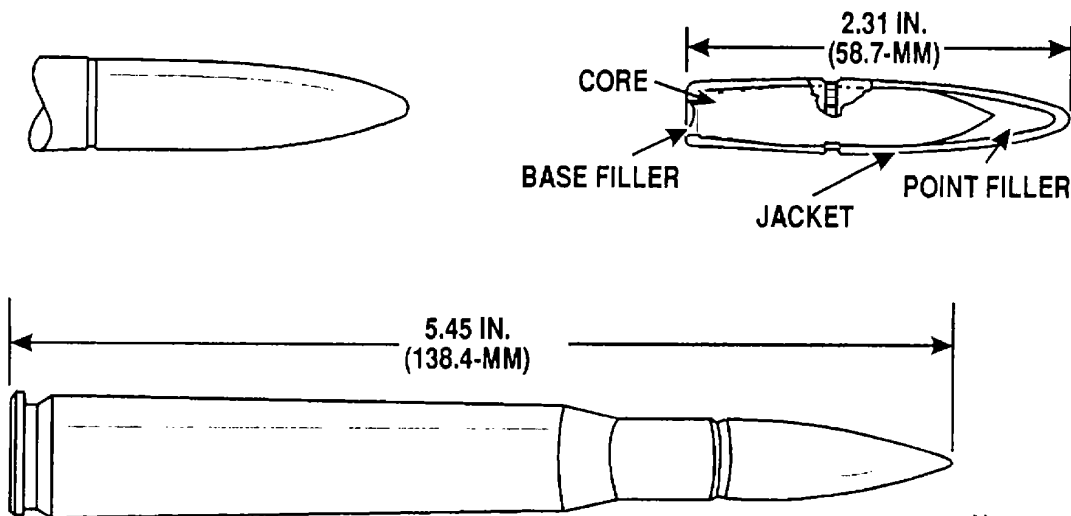
Shipping and Storage Data:  
 Quantity-distance class/  
   SCG..... 1.4G  
 Storage code..... Class V  
 DOT shipping class ..... C  
 DOT designation ..... SMALL ARMS AMMUNITION  
 Drawing number..... 7673512

**References:**

SB 700-20  
 TM 9-1005-213-10  
 TM 9-1005-231-10  
 TM 9-1300-206

**THIS PAGE INTENTIONALLY LEFT BLANK**

**CARTRIDGE, CALIBER .50, BALL, M33**



U  
AR 5938

**Type Classification:**

STD - OTCM 36841.

**Use:**

Machine Guns, Caliber .50, M2 and M85. The cartridge is intended for use against personnel or unarmored targets.

**Description:**

BALL Cartridge. The cartridge is identified by a plain bullet tip.

**Tabulated Data:**

DODAC..... 1305-A552  
 UNO serial number ..... 0339  
 UNO proper shipping name ..... Cartridges for weapons, inert projectile  
 Weight ..... 1762 gr  
 Length..... 5.45 in. (138.4 mm)  
 Tracer ..... NA  
 Primer..... Percussion  
 Fuze ..... NA  
 Explosive:  
 Type ..... NA

Weight..... NA  
 Incendiary:  
 Type ..... NA  
 Weight ..... NA  
 Propellant:  
 Type ..... WC 860  
 Weight..... 235 gr

**Performance:**

Chamber pressure..... 55,000 psi  
 Velocity..... 2910 fps, 78 ft from muzzle

**Shipping and Storage Data:**

Quantity-distance class/  
 SCG..... 1.4C  
 Storage code..... Class V  
 DOT shipping class ..... C  
 DOT designation ..... SMALL ARMS AMMUNITION  
 Drawing number..... 7553097

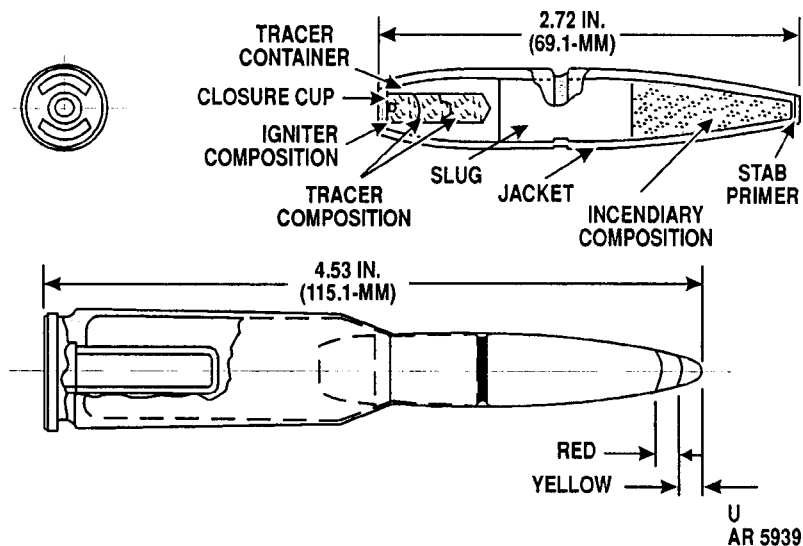
**References:**

SB 700-20  
 TM 9-1005-213-10  
 TM 9-1005-231-10  
 TM 9-1300-206



**THIS PAGE INTENTIONALLY LEFT BLANK**

**CARTRIDGE, CALIBER .50, BALL, SPOTTER-TRACER, M48A1**



**Type Classification:**

STD - AMCTC 7378.

**Use:**

Rifle, Spotting, Caliber .50, M8C.

**Description:**

**BALL** Cartridge. The cartridge has specific features which aid in identification. The cartridge case has a distinctive body design which prevents chambering in other weapons. The total length is only 4.5 inches in comparison with 5.5 inches for a standard round. The bullet has a yellow tip with a red ring to the rear of the yellow tip.

**Function:**

In flight, the bullet exhibits a visible trace from a point not greater than 100 yards from the muzzle of the weapon to a point not less than 1,500 yards from the muzzle. The bullet will detonate and produce a flash and a puff of smoke upon impact against a steel plate placed at 175 yards from the muzzle of the weapon at all angles from 90° to 11° with respect to the horizontal.

**Difference Between Models:**

The M48A1 differs from the M48A2 in that the M48A1 has a primer in the point of the bullet.

**Tabulated Data:**

DODAC.....	1305-A574
UNO serial number .....	0339
UNO proper shipping name .....	Cartridges for weapons, inert projectile
Weight .....	1744 gr
Length.....	4.53 in. (115.1 mm)
Tracer .....	R321
Primer.....	Percussion
Fuze .....	NA
Explosive:	
Type .....	NA
Weight .....	NA Incendiary:
Type .....	IM 144
Weight.....	32 gr
Propellant:	
Type .....	IMR 7383
Weight.....	110 gr

**Performance:**

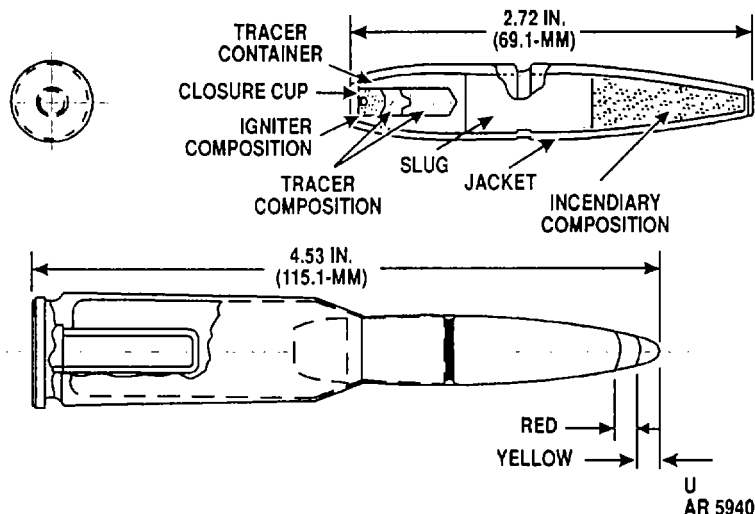
Chamber pressure.....	38,000 psi
Velocity .....	1745 fps, 78 ft from muzzle

**Shipping and Storage Data:**

Quantity-distance class/SCG.....	1.4C
Storage code.....	Class V



**CARTRIDGE, CALIBER .50, BALL, SPOTTER-TRACER, M48A2**



**Type Classification:**

STD - AMCTC 7378.

**Use:**

Rifle, Spotting, Caliber .50, M8C.

**Description:**

BALL Cartridge. The cartridge has specific features which aid in identification. The cartridge case has a distinctive body design which prevents chambering in other weapons. The total length is only 4.5 inches in comparison with 5.5 inches for a standard round. The bullet has a yellow tip with a red ring to the rear of the yellow tip.

**Function:**

In flight, the bullet exhibits a visible trace from a point not greater than 100 yards from the muzzle of the weapon to a point not less than 1,500 yards from the muzzle. The bullet will detonate and produce a flash and a puff of smoke upon impact against a steel plate placed at 175 yards from the muzzle of the weapon at all angles from 90° to 11° with respect to the horizontal.

**Difference Between Models:**

The M48A2 differs from the M48A1 in that the M48A2 does not have a primer in the point of the bullet.

**Tabulated Data:**

DODAC.....	1305-A574
UNO serial number .....	0339
UNO proper shipping name .....	Cartridges for weapons, inert projectile
Weight .....	1744 gr
Length.....	4.53 in. (115.1 mm)
Tracer .....	R321
Primer.....	Percussion
Fuze .....	NA
Explosive:	
Type .....	NA
Weight.....	NA
Incendiary:	
Type .....	IM 144
Weight.....	32 gr
Propellant:	
Type .....	IMR 7383
Weight.....	110 gr
Projectile:	
Weight.....	833 gr

**Performance:**

Chamber pressure.....	38,000 psi
Velocity .....	1745 fps, 78 ft from muzzle

**Shipping and Storage Data:**

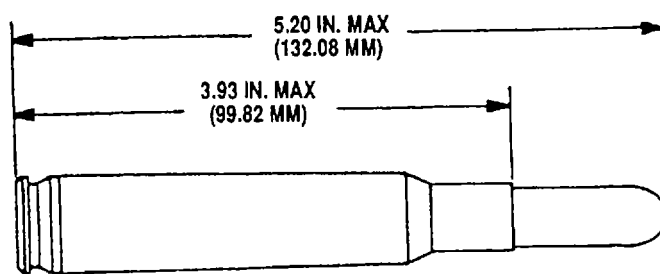
Quantity-distance class/SCG.....	1.4C
Storage code.....	Class V

DOT shipping class ..... C  
DOT designation ..... SMALL ARMS  
  AMMUNITION  
Drawing number ..... 10542445

**References:**

SB 700-20  
TM 9-1300-206

**CARTRIDGE, CALIBER .50, BALL, PLASTIC PRACTICE, M858**



U  
AR 5943

**Type Classification:**

STD - dated 24 May 1983.

**Use:**

Machine Gun, Caliber .50, with the M3 Recoil Amplifier. The cartridge is intended for scaled range training purposes.

**Description:**

BALL Cartridge. The cartridge is identified by the blue bullet and case which are molded into one piece with high density polyethylene plastic.

Tabulated Data:

DODAC..... 1305-A603  
 UNO serial number ..... 0012  
 UNO proper shipping  
 name ..... Cartridges for  
                                 weapons, inert pro-  
                                 jectile  
 Weight ..... 460 gr  
 Length..... 5.2 in. (132.08 mm)  
 Tracer ..... NA  
 Primer..... Percussion  
 Fuze ..... NA

Explosive:

Type ..... NA  
 Weight..... NA

Incendiary:

Type ..... NA  
 Weight..... NA

Propellant:

Type ..... 10B101  
 Weight..... 49 gr

Performance:

Chamber pressure..... 26,100 psi  
 Velocity ..... 2790 fps, 78 ft from  
 muzzle

Maximum range ..... 700 m

Shipping and Storage Data:

Quantity-distance class/  
 SCG..... 1.4S  
 Storage code..... Class S  
 DOT shipping class ..... C  
 DOT designation ..... SMALL ARMS  
   AMMUNITION

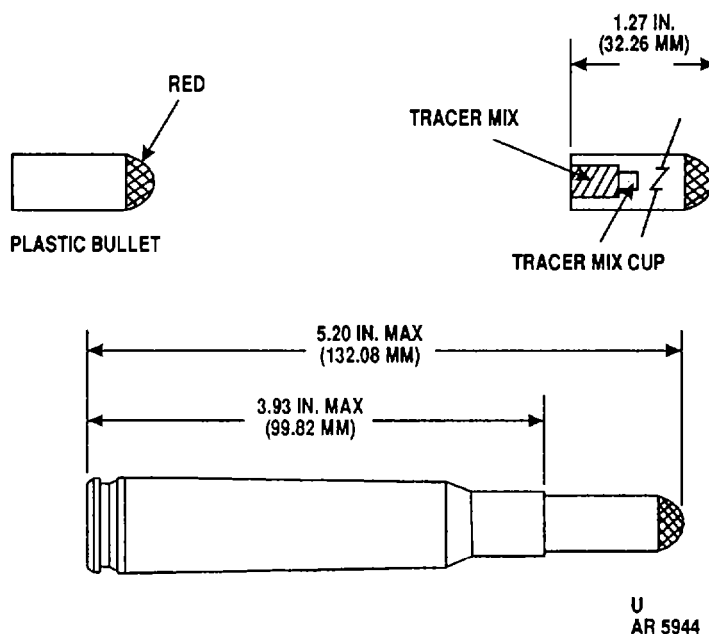
Drawing number..... 9340557

**References:**

SB 700-20  
 TM 9-1005-213-10  
 TM 9-1005-231-10  
 TM 9-1300-206

**THIS PAGE INTENTIONALLY LEFT BLANK**

**CARTRIDGE, CALIBER .50, TRACER, PLASTIC PRACTICE, M860**



**Type Classification:**

STD - dated 24 May 1983.

**Use:**

Machine Gun, Caliber .50, M2 with the M3 Recoil Amplifier. The cartridge tracer is intended for scaled range training to permit visible observation of the bullet's in-flight path or trajectory to the point of impact. The cartridge is intended for use with the M858 Plastic Practice Ball Cartridge.

**Description:**

TRACER Cartridge. The cartridge is identified by a red bullet tip and the blue bullet and case which are molded into one piece with high density polyethylene plastic.

**Tabulated Data:**

DODAC..... 1305-A595  
 UNO serial number ..... 0012  
 UNO proper shipping name ..... Cartridges for weapons, inert projectile  
 Weight ..... 460 gr  
 Length..... 5.2 in. (132.08 mm)  
 Tracer ..... DAG9591254/4  
 Primer..... Percussion  
 Fuze ..... NA

**Explosive:**

Type ..... NA  
 Weight..... NA

**Incendiary:**

Type ..... NA  
 Weight..... NA

**Propellant:**

Type ..... 10B101  
 Weight..... 49 gr

**Performance:**

Chamber pressure..... 26,100 psi  
 Velocity ..... 2790 fps, 78 ft from muzzle  
 Maximum range ..... 700 m  
 Trace ..... 20-150 m

**Shipping and Storage Data:**

Quantity-distance class/  
 SCG..... 1.4S  
 Storage code..... Class S  
 DOT shipping class ..... C  
 DOT designation ..... SMALL ARMS AMMUNITION  
 Drawing number ..... 9340558

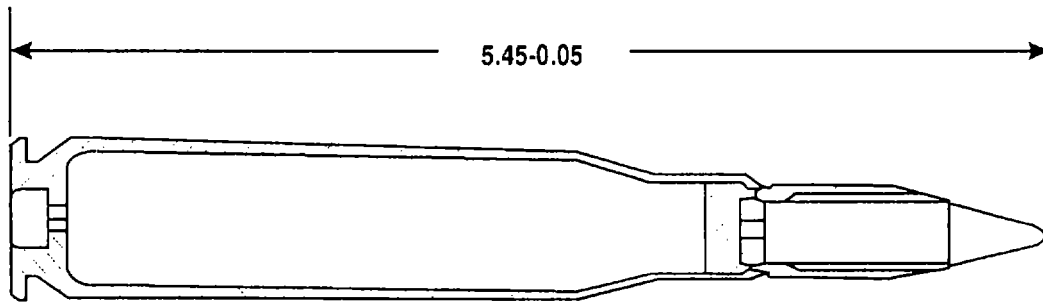
**References:**

SB 700-20  
 TM 9-1005-213-10  
 TM 9-1005-231-10  
 TM 9-1300-206



**THIS PAGE INTENTIONALLY LEFT BLANK**

**CARTRIDGE, CALIBER .50, SABOTED LIGHT ARMOR PENETRATOR (SLAP), M903**



U  
AR 6024

**Type Classification:**

STD - 31 March 1993.

**Use:**

Machine Gun, Caliber .50, M2HB. The cartridge is to be used by soldiers equipped with M2 machine guns.

**Description:**

COMBAT Cartridge. The cartridge is identified by an amber sabot (Utem 1000).

**Tabulated Data:**

DODAC..... 1305-A518  
 UNO serial number ..... 0012  
 UNO proper shipping  
 name ..... Cartridges for  
   weapons, inert pro-  
   jectile  
 Weight ..... 1466 gr  
 Length..... 5.45 in. (138.4 m)  
 Tracer ..... NA  
 Primer..... Percussion

Fuze ..... NA  
 Explosive:  
     Type ..... NA  
     Weight ..... NA  
 Incendiary:  
     Type ..... NA  
     Weight ..... NA  
 Propellant:  
     Type ..... WC 856  
     Weight ..... 275 gr  
 Projectile:  
     Weight ..... 355-360 gr

**Performance:**

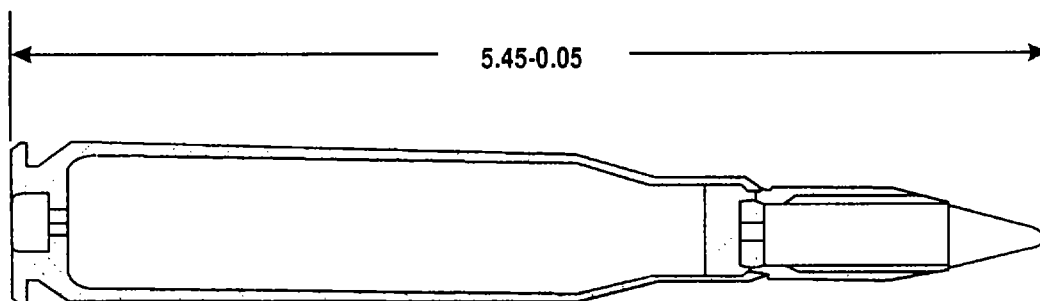
Chamber pressure..... 55,000 psi  
 Velocity ..... 4000 fps, 78 ft from  
   muzzle

**Shipping and Storage Data:**

Quantity-distance class/  
     SCG..... 1.4  
 Storage code..... C  
 DOT shipping class ..... C  
 DOT designation ..... CARTRIDGES  
   SMALL ARMS  
   UN0339

**THIS PAGE INTENTIONALLY LEFT BLANK**

**CARTRIDGE, CALIBER .50, SABOTED LIGHT ARMOR  
PENETRATOR-TRACER (SLAP-T), M962**



U  
AR 6024

**Type Classification:**

STD - 31 March 1993.

**Use:**

Machine Gun, Caliber .50, M2HB. The cartridge is to be used by soldiers equipped with M2 machine guns.

**Description:**

COMBAT Cartridge. The cartridge is identified by a red sabot (Ultem 1000).

**Tabulated Data:**

DODAC..... 1305-A518  
 UNO serial number ..... 0012  
 UNO proper shipping  
 name ..... Cartridges for  
 weapons, inert pro-  
 jectile  
 Weight ..... 1466 gr  
 Length..... 5.45 in. (138.4 mm)  
 Tracer ..... R543  
 Primer..... Percussion  
 Fuze ..... NA

**Explosive:**

Type ..... NA  
 Weight..... NA

**Incendiary:**

Type ..... NA  
 Weight..... NA

**Propellant:**

Type ..... WC 856  
 Weight..... 282 gr

**Projectile:**

Weight..... 350-360 gr

**Performance:**

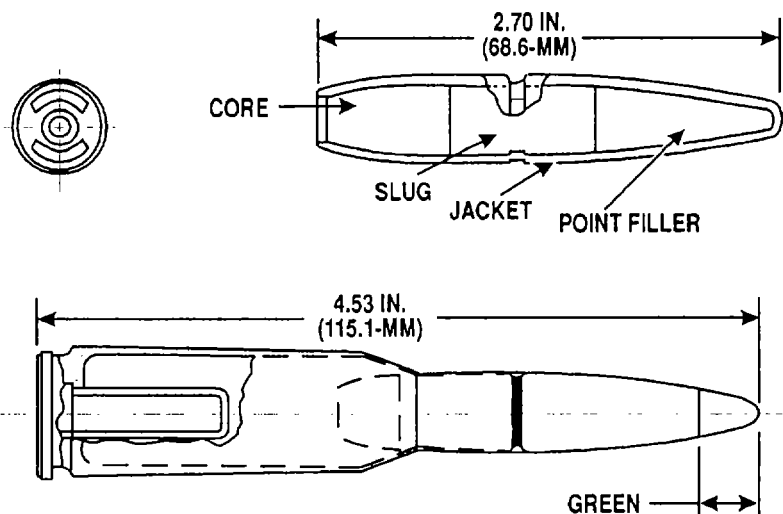
Chamber pressure..... 55,000 psi  
 Velocity ..... 4000 fps, 78 ft from  
 muzzle

**Shipping and Storage Data:**

Quantity-distance class/  
 SCG..... 1.4  
 Storage code..... C  
 DOT shipping class ..... C  
 DOT designation ..... CARTRIDGES  
 SMALL ARMS  
 UN0339

**THIS PAGE INTENTIONALLY LEFT BLANK**

**CARTRIDGE, CALIBER .50, BALL, PRACTICE, T249E2**



U  
AR 5941

**Type Classification:**

Not applicable.

**Use:**

Rifle, Spotting, Caliber .50, M8C. The cartridge is used as a less expensive substitute for the M48 series spotter-tracer cartridges. The item uses a small amount of Sodium Carbonate Monohydrate as its spotting charge. It is similar to using a flour bag as a bomb.

Fuze ..... NA  
 Explosive:  
 Type ..... NA  
 Weight ..... NA  
 Incendiary:  
 Type ..... NA  
 Weight ..... NA  
 Propellant:  
 Type ..... IMR 7383  
 Weight ..... 110 gr  
 Projectile:  
 Weight ..... 817 gr

**Description:**

BALL Cartridge. The cartridge is a duplicate of the M48 series cartridges, a less expensive model used for practice. It is identified by a green bullet tip. It has no tracer or incendiary filler.

**Performance:**

Chamber pressure..... 38,000 psi  
 Velocity..... 1745 fps, 78 ft from muzzle

**Tabulated Data:**

DODAC..... 1305-A579  
 UNO serial number ..... 0339  
 UNO proper shipping name ..... Cartridges for weapons, inert projectile  
 Weight ..... 1738 gr  
 Length..... 4.53 in. (115.1 mm)  
 Tracer ..... NA  
 Primer..... Percussion

**Shipping and Storage Data:**

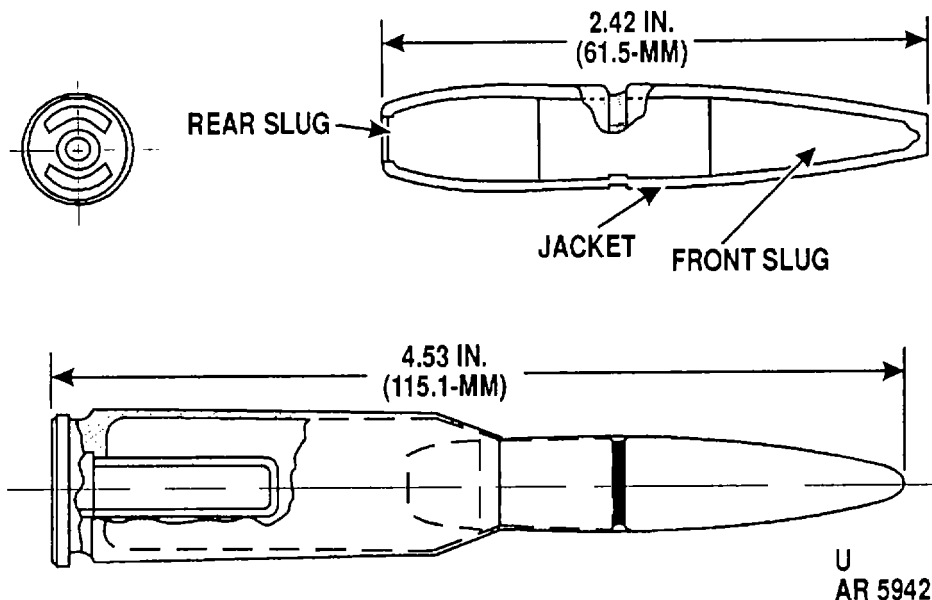
Quantity-distance class/  
 SCG..... 1.4C  
 Storage code..... Class V  
 DOT shipping class ..... C  
 DOT designation ..... SMALL ARMS AMMUNITION  
 Drawing number..... 10534667

**References:**

SB 700-20  
 TM 9-1300-206

**THIS PAGE INTENTIONALLY LEFT BLANK**

**CARTRIDGE, CALIBER .50, BALL, HIGH PRESSURE TEST, T251**



**Type Classification:**  
Not applicable.

**Use:**

Rifle, Spotting, Caliber .50, M8C. The cartridge is used in proof testing the caliber .50 M8C Spotting Rifle during manufacture, test, or repair.

**Description:**

BALL Cartridge. The cartridge is standard small caliber and is identified by a stannic-stained (silvered) cartridge case.

**Tabulated Data:**

DODAC..... 1305-A578  
 UNO serial number ..... 0339  
 UNO proper shipping name..... Cartridges for weapons, inert projectile  
 Weight ..... 1902 gr  
 Length..... 4.53 in. (115.1 mm)  
 Tracer ..... NA  
 Primer..... Percussion

Fuze ..... NA  
 Explosive:  
 Type ..... NA  
 Weight ..... NA  
 Incendiary:  
 Type .....NA  
 Weight .....NA  
 Propellant:  
 Type.....IMR 4831  
 Weight ..... 142 gr

**Performance:**

Chamber pressure..... 55,000 psi  
 Velocity ..... NA  
 Shipping and Storage Data:  
 Quantity-distance class/  
 SCG ..... 1.4C  
 Storage code ..... Class V  
 DOT shipping class ..... C  
 DOT designation ..... SMALL ARMS AMMUNITION  
 Drawing number ..... 10534770

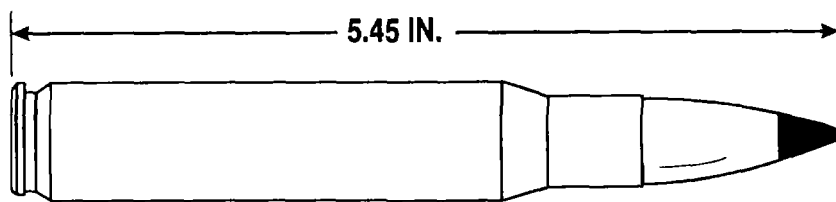
**References:**

SB 700-20  
 TM 9-1300-206



**THIS PAGE INTENTIONALLY LEFT BLANK**

**CARTRIDGE, CALIBER .50: ARMOR PIERCING INCENDIARY (API), MK 211 MOD 0**



U  
AR 7217

**Type Classification:**

Std - Feb 96 (for U.S. Army).

**Use:**

M2 Machine Gun.

**Description:**

Armor Piercing Cartridge. This cartridge is identified by green bullet tip identification paint. The projectile consists of a brass jacket surrounding a steel body and tungsten core with incendiary and high explosive charges.

**Purpose:**

This cartridge provides improved penetration performance against enemy personnel and light armor vehicles.

**Tabulated Data:**

DODAC (Navy) ..... 1305-01-250-8162,  
                                   A606;  
                                   1305-01-249-6888,  
                                   A607;  
                                   1305-01-251-2581,  
                                   A608  
 Weight .....1765 gr  
 Length.....5.45 in.  
 Tracer .....N/A  
 Primer.....Percussion  
 Fuze .....N/A

**Explosive:**

Type ..... Comp A-4  
 Weight ..... 13 gr

**Incendiary:**

Type ..... #136  
 Weight ..... 13.1 gr

**Propellant:**

Type ..... WC 860/MR 5010  
                                   or RA-NC-167

Weight ..... 233 gr

**Projectile:**

Weight ..... 671 gr

**Performance:**

Chamber pressure..... 55,000 cup  
 Velocity ..... 2910 fps +30 at  
                                   78 ft from muzzle

**Shipping and Storage Data:**

DODAC..... 1305-A607 with  
                                   M20 API Tracer  
 Quantity-distance class/SCG..1.4G  
 Storage code ..... Class C  
 DOT shipping class ..... C  
 DOT designation ..... SMALL ARMS  
                                   AMMUNITION  
 Drawing number..... 12576457

**References:**

TM 9-1005-213-10  
 TM 9-1305-201-20&P  
 TM 9-1305-201-34&P

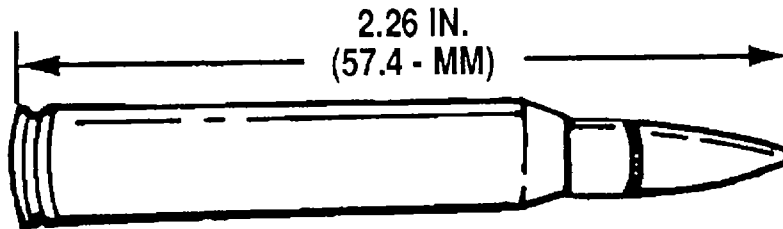
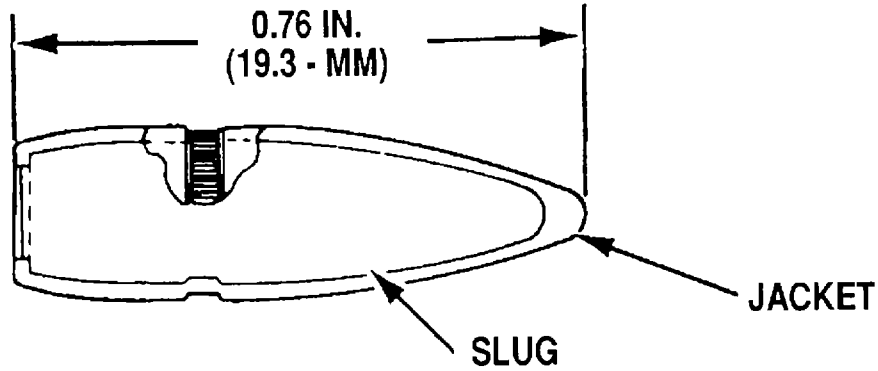
**THIS PAGE INTENTIONALLY LEFT BLANK**

**Change 2 9-48**

**CHAPTER 10**  
**5.56MM CARTRIDGES**

**THIS PAGE INTENTIONALLY LEFT BLANK**

CARTRIDGE, 5.56MM, BALL, M193



U  
AR 5945

**Type Classification:**

STD - AMCTC 5143.

**Use:**

Rifles, 5.56mm, M16 and M16A1. The cartridge is intended for use against personnel and unarmored targets.

**Description:**

**BALL** Cartridge. The cartridge is identified by a plain bullet tip.

**Tabulated Data:**

DODAC.....1305-A066  
 UNO serial number .....0012  
 UNO proper shipping name .....Cartridges for weapons, inert projectile  
 Weight .....182 gr  
 Length.....2.26 in. (57.4 mm)  
 Tracer .....NA

Primer.....Percussion  
 Fuze.....NA  
 Explosive:  
   Type .....NA  
   Weight .....NA  
 Incendiary:  
   Type - .....NA  
   Weight.....NA  
 Propellant:  
   Type .....WC 844 or  
                                     CMR 170  
   Weight.....28.5 or 26.5 gr  
 Projectile:  
   Weight.....56 gr

**Performance:**

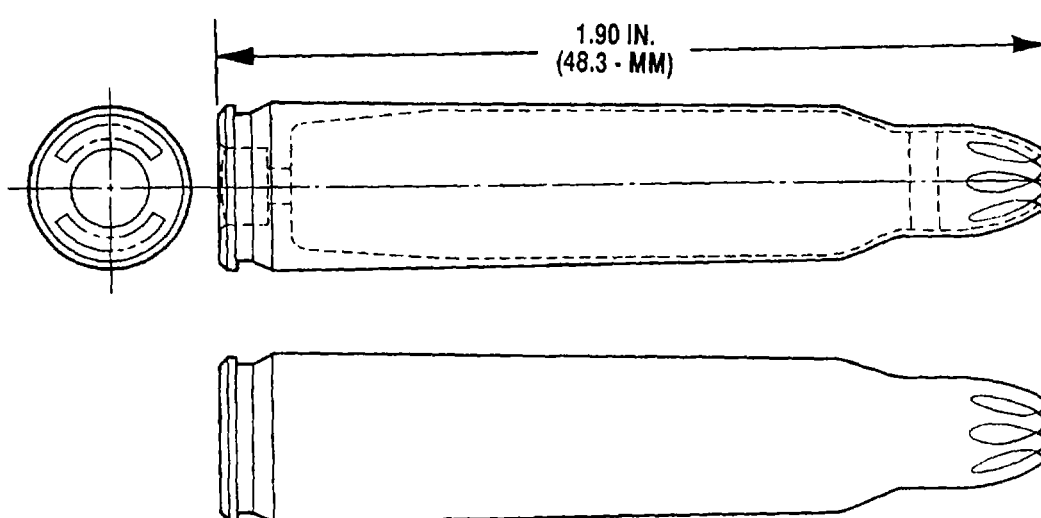
Chamber pressure.....52,000 psi  
 Velocity .....3250 fps, 15 ft from muzzle

**Shipping and Storage Data:**

Quantity-distance class/  
   SCG .....1.4S  
 Storage code .....Class V

**THIS PAGE INTENTIONALLY LEFT BLANK**

**CARTRIDGE, 5.56MM, GRENADE, M195**



U  
AR 5947

**Type Classification:**

STD - AMCTC 6919.

**Use:**

Rifles, 5.56mm, M16 and M16A1.

**Description:**

GRENADE Cartridge. The cartridge is identified by a rose-petal (rosette-crimp) closure of the cartridge case mouth sealed with red lacquer.

**Function:**

The cartridge provides pressure, on functioning, to project grenades to a desired target using a grenade projection adapter.

**Tabulated Data:**

DODAC.....1330-G841  
 UNO serial number .....0014  
 UNO proper shipping  
 name .....Cartridges for  
 weapons, blank

Weight .....126 gr  
 Length.....1.9 in. (48.3 mm)  
 Tracer .....NA  
 Primer .....Percussion  
 Fuze.....NA  
 Explosive:  
   Type .....NA  
   Weight .....NA  
 Incendiary:  
   Type .....NA  
   Weight .....NA  
 Propellant:  
   Type .....IMR 4475  
   Weight .....25 gr

**Performance:**

Chamber pressure .....NA  
 Velocity .....140 to 165 fps, 5 ft  
   6 in. from muzzle  
   for projected gre-  
   nade

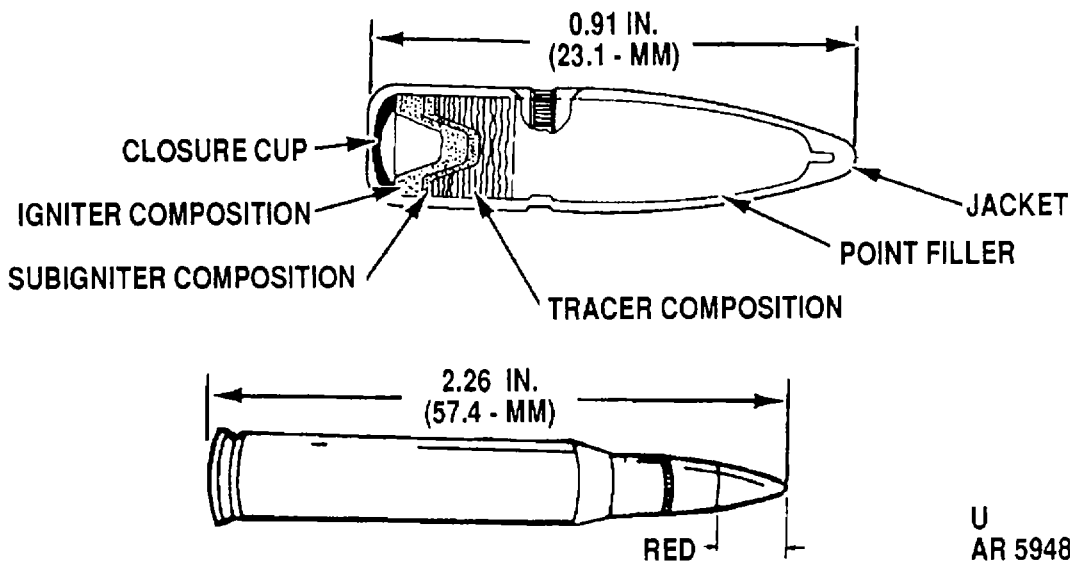
**Shipping and Storage Data:**

Quantity-distance class/  
 SCG .....1.4S  
 Storage code ` .....Class V



**THIS PAGE INTENTIONALLY LEFT BLANK**

**CARTRIDGE, 5.56MM, TRACER, M196**



**Type Classification:**

STD - AMCTC 5055.

**Use:**

Rifles, 5.56mm, M16 and M16A1. The tracer is intended to permit visible observation of the bullet's in-flight path or trajectory to the point of impact.

**Description:**

TRACER Cartridge. The cartridge is identified by a red bullet tip.

**Tabulated Data:**

DODAC.....1305-A068  
 UNO serial number .....0012  
 UNO proper shipping name .....Cartridges for weapons, inert projectile  
 Weight .....177 gr  
 Length..... 2.26 in. (57.4 mm)  
 Tracer .....R284  
 Primer .....Percussion  
 Fuze .....NA  
 Explosive:  
 Type .....NA  
 Weight .....NA

**Incendiary:**

Type .....NA  
 Weight.....NA

**Propellant:**

Type .....WC 844 or IMR 8208M

Weight ..... 28.5 gr, 25.3 gr or CMR 170, 26.5 gr

**Projectile:**

Weight .....54 gr

**Performance:**

Chamber pressure ..... 52,000 psi  
 Velocity.....3200 fps, 15 ft from muzzle

**Shipping and Storage Data:**

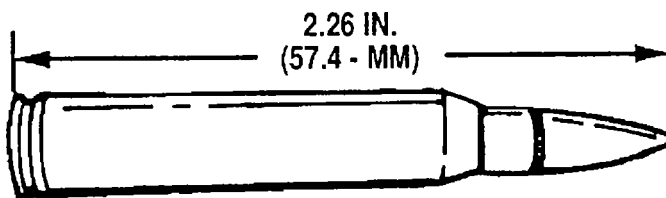
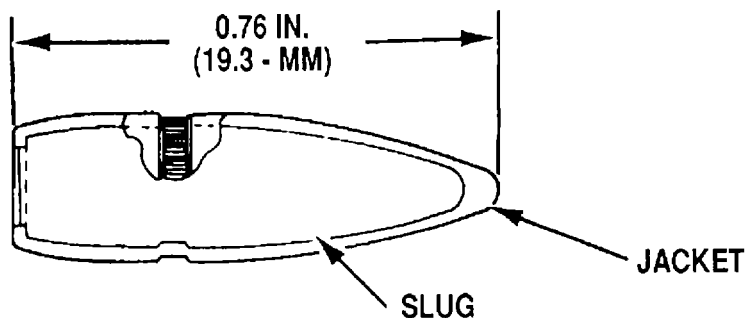
Quantity-distance class/  
 SCG .....1.4S  
 Storage code .....Class V  
 DOT shipping class.....C  
 DOT designation ..... SMALL ARMS AMMUNITION  
 Drawing number.....10534193

**References:**

SB 700-20  
 TM 9-1005-249-10  
 TM 9-1300-206

**THIS PAGE INTENTIONALLY LEFT BLANK**

**CARTRIDGE, 5.56MM, HIGH PRESSURE TEST, M197**



U  
AR 5950

**Type Classification:**

STD - AMCTC 4484.

**Use:**

Rifles, 5.56mm, M16 and M16A1. The cartridge is used to proof test weapons during manufacture, test, or repair.

**Description:**

HIGH PRESSURE TEST Cartridge. The cartridge is identified by a stannic-stained (silvered) or nickel-plated cartridge case.

**Function:**

The cartridge is loaded with a special propellant to produce pressures substantially in excess of the service round.

**Tabulated Data:**

DODAC.....1305-A070  
UNO serial number .....0012

UNO proper shipping

name .....Cartridges for  
weapons, inert pro-  
jectile

Weight .....174 gr  
Length..... 2.26 in. (57.4 mm)  
Tracer .....NA  
Primer.....Percussion  
Fuze.....NA  
Explosive:  
Type .....NA  
Weight .....NA  
Incendiary:  
Type .....NA  
Weight.....NA  
Propellant:  
Type .....SR 7641  
Weight-.....16.7 gr  
Projectile:  
Weight.....56 gr

**Performance:**

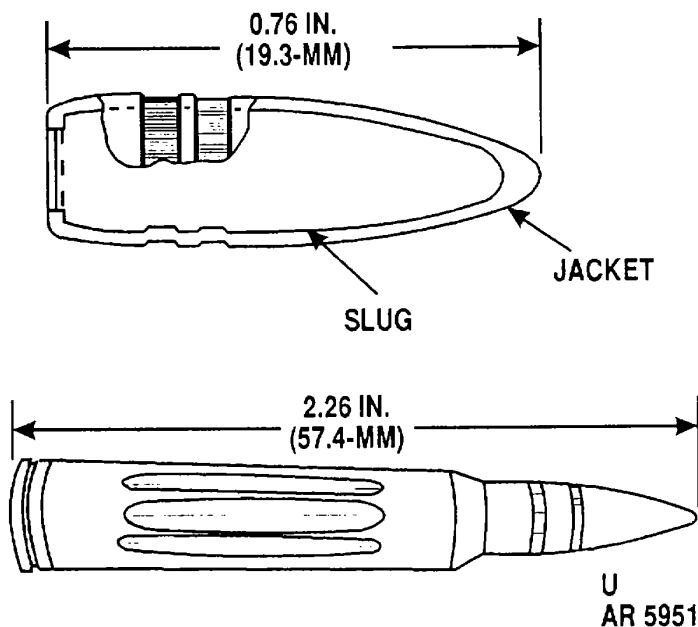
Chamber pressure.....70,000 psi  
Velocity .....NA

**Shipping and Storage Data:**

Quantity-distance class/  
SCG .....1.4S  
Storage code.....Class V

**THIS PAGE INTENTIONALLY LEFT BLANK**

**CARTRIDGE, DUMMY, 5.56MM, M199**



**Type Classification:**

STD - AMCTC 4662.

**Use:**

Rifles, 5.56mm, M16 and M16A1. The cartridge is used for practice in loading 5.56mm weapons, for simulated firing to detect flinching of personnel when firing, and for inspecting and testing the weapon mechanisms.

**Description:**

DUMMY Cartridge. The cartridge is identified by six longitudinal corrugations (flutings) in the cartridge case and there is no primer.

**Tabulated Data:**

DODAC.....1305-A060  
 Weight .....150 gr  
 Length.....2.26 in. (57.4 mm)  
 Tracer .....NA  
 Primer.....NA  
 Fuze.....NA  
 Explosive:  
   Type .....NA  
   Weight.....NA

**Incendiary:**

Type .....NA  
 Weight.....NA

**Propellant:**

Type .....NA  
 Weight.....NA

**Performance:**

Chamber pressure.....NA  
 Velocity .....NA

**Shipping and Storage Data:**

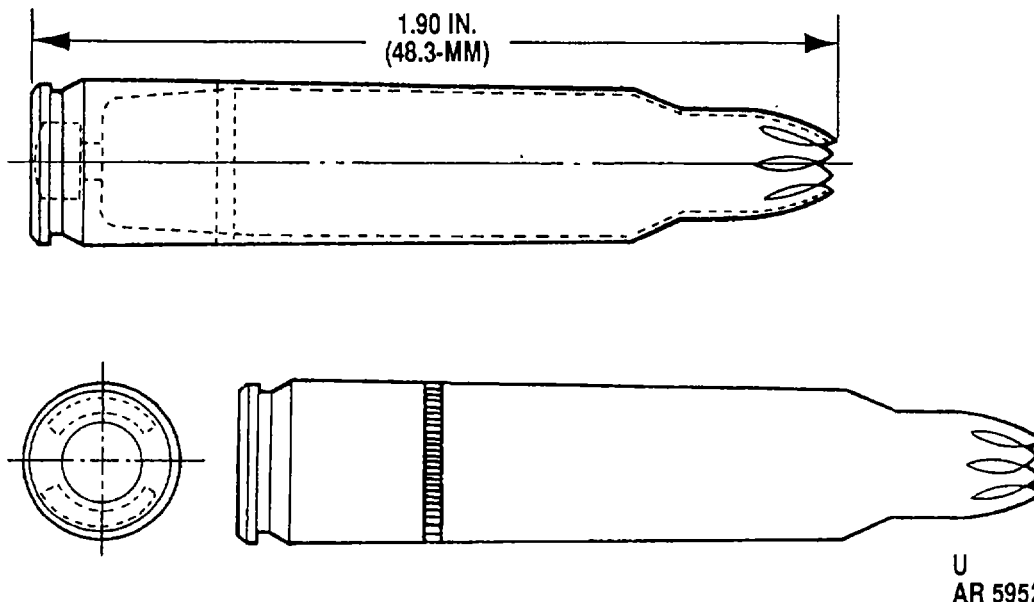
Quantity-distance class/  
   SCG .....NA  
 Storage code .....NA  
 DOT shipping class .....NA  
 DOT designation .....NONEXPLOSIVE  
 AMMUNITION  
 Drawing number.....10534021

**References:**

SB 700-20  
 TM 9-1005-249-10  
 TM 9-1300-206

**THIS PAGE INTENTIONALLY LEFT BLANK**

**CARTRIDGE, 5.56MM, BLANK, M200**



U  
AR 5952

**Type Classification:**

STD - AMCTC 5942.

**Use:**

Rifles, 5.56mm, M16 and M16A1. The cartridge is designed for simulated firing in training exercises and for saluting purposes.

**Description:**

BLANK Cartridge. The cartridge is identified by a rose-petal (rosette-crimp) closure of the cartridge case mouth. An engraved knurl is located 1/2 inch from the head of the cartridge case.

**Tabulated Data:**

DODAC.....1305-A080  
 UNO serial number .....0014  
 UNO proper shipping  
 name .....Cartridges for  
 weapons, blank  
 Weight .....107 gr  
 Length.....1.9 in. (48.3 mm)  
 Tracer .....NA  
 Primer.....Percussion  
 Fuze.....NA

**Explosive:**

Type .....NA  
 Weight.....NA

**Incendiary:**

Type .....NA  
 Weight.....NA

**Propellant:**

Type .....HPC 13  
 Weight.....7 gr

**Performance:**

Chamber pressure.....NA  
 Velocity .....NA

**Shipping and Storage Data:**

Quantity-distance class/  
 SCG .....1.4S  
 Storage code .....Class V  
 DOT shipping class.....C  
 DOT designation .....SMALL ARMS  
 AMMUNITION  
 Drawing number.....10542379

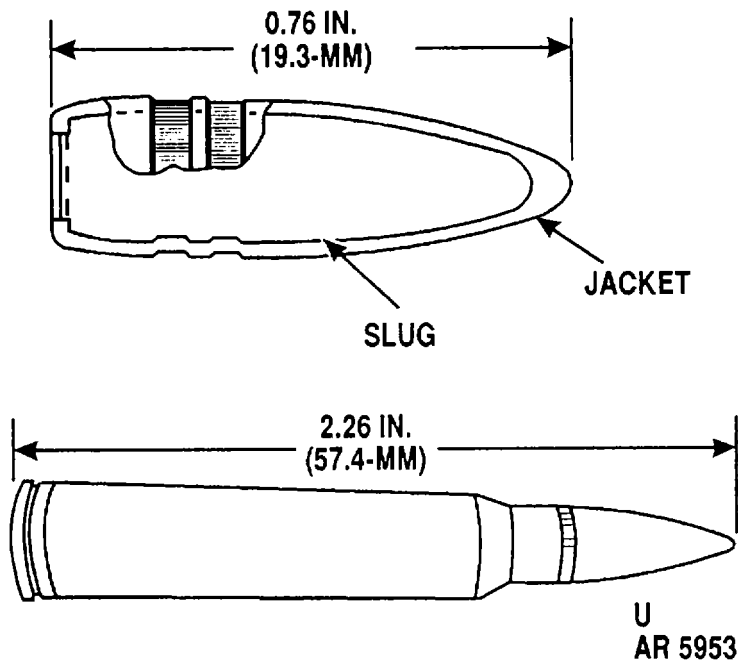
**References:**

SB 700-20  
 TM 9-1005-249-10  
 TM 9-1300-206



**THIS PAGE INTENTIONALLY LEFT BLANK**

**CARTRIDGE, DUMMY, 5.56MM, M232**



**Type Classification:**

STD - AMCTC 4485.

**Use:**

Rifles, 5.56mm, M16 and M16A1. The cartridge is an inert round used for testing the mechanisms of 5.56 weapons.

**Description:**

DUMMY Cartridge. The cartridge is identified by a black chemical finish over the entire round and by the absence of a primer.

**Tabulated Data:**

DODAC.....1305-A069  
 Weight .....161 gr  
 Length .....2.26 in. (57.4 mm)  
 Tracer .....NA  
 Primer .....NA  
 Fuze .....NA  
 Explosive:  
   Type .....NA  
   Weight.....NA

**Incendiary:**

Type .....NA  
 Weight .....NA

**Propellant:**

Type .....NA  
 Weight.....NA

**Performance:**

Chamber pressure.....NA  
 Velocity.....NA

**Shipping and Storage Data:**

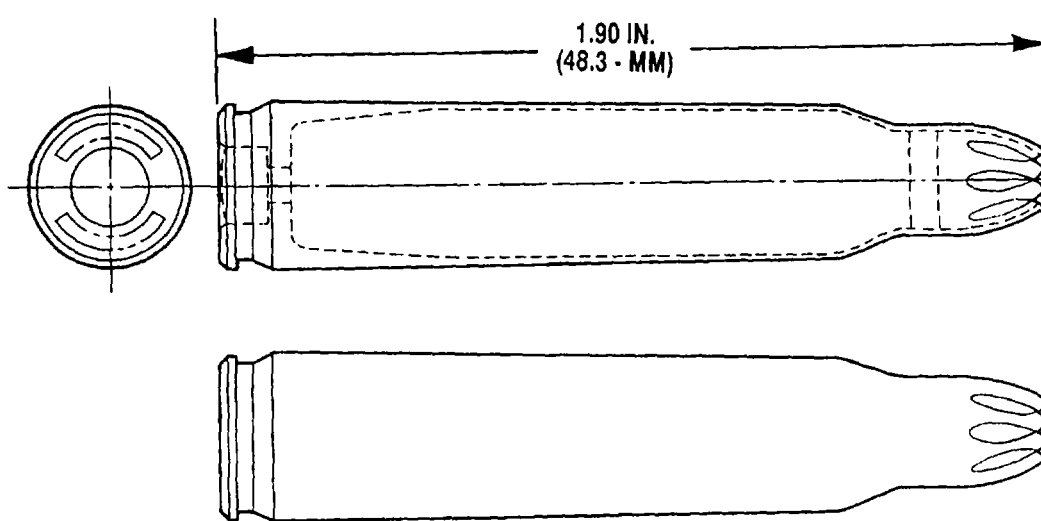
Quantity-distance class/  
   SCG .....NA  
 Storage code .....NA  
 DOT shipping class .....NA  
 DOT designation .....NONEXPLOSIVE  
   AMMUNITION  
 Drawing number.....10534146

**References:**

SB 700-20  
 TM 9-1005-249-10  
 TM 9-1300-206

**THIS PAGE INTENTIONALLY LEFT BLANK**

**CARTRIDGE, 5.56MMN, BLANK, M755**



U  
AR 5947

**Type Classification**

STD - MSR 04786005.

**Use:**

The M755 blank cartridge is especially designed for use with the Sting Ring Airfoil Munition System which consists of the M234 launcher and the 64mm riot control M743 projectile fired from the M1GA1 rifle.

**Description:**

**BLANK** Cartridge. The cartridge is only for use with the M234 riot control 64mm projectile launcher. The launcher is attached to the flash suppressor of the M16A1 rifle and actuated by firing an M755 5.56mm blank cartridge. The M755 blank cartridge is the only cartridge that will give the projectile M743 the proper velocity. Use of other blank cartridges may damage the system.

The cartridge is loaded with 12 grains of Dupont Hi Skor 700X propellant closed with a seven petal nose crimp and moisture sealed. The crimped tips of the cartridge is painted with yellow lacquer for identification and thus lessen the chance of mixing them with the standard M16A1 rifle blank cartridges.

**Function:**

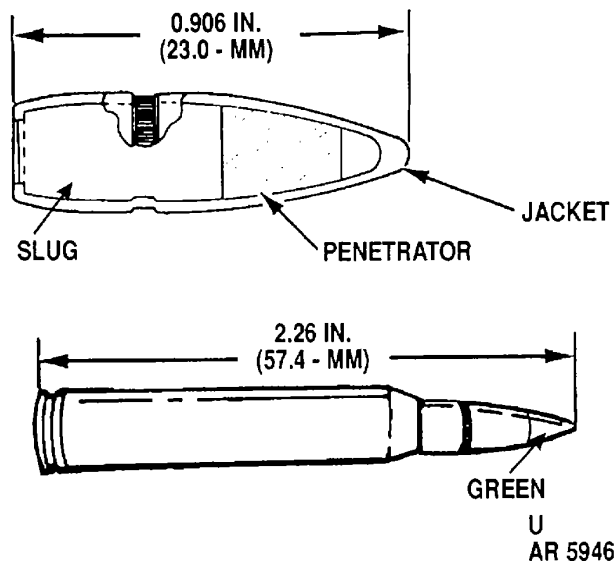
The blank cartridge is fed into the firing chamber. When fired, the primer ignites the propellant. The expanding propellant gases pass from the muzzle of the rifle into the launcher manifold. The projectile is ejected from the launcher barrel. The propellant charge is not sufficient to eject the cartridge case which must be ejected by pulling the charging handle of the rifle all the way back.

**Tabulated Data**

DODAC .....	TBA
Weight .....	112 gr
Length.....	1.9 in. (48.3 mm)
Tracer	NA
Primer.....	Percussion
Fuze.....	NA
Explosive:	
Type .....	NA
Weight .....	NA
Incendiary:	
Type .....	NA
Weight.....	NA
Propellant:	
Type .....	Hi Skor 700X
Weight .....	12 gr



**CARTRIDGE, 5.56MM, BALL, M855**



**Type Classification:**

STD - MSR 05826003.

**Use:**

Machine Gun, 5.56mm, M249E1; and Rifle, 5.56mm, M16A2. The cartridge is intended for use against personnel and unarmored targets.

**Description:**

BALL Cartridge. The cartridge is identified by a green bullet tip.

**Tabulated Data:**

DODAC.....1305-A059  
 UNO serial number .....0012  
 UNO proper shipping name.....Cartridges for weapons, inert projectile  
 Weight .....190 gr  
 Length.....2.26 in. (57.4 mm)  
 Tracer .....NA  
 Primer.....Percussion  
 Fuze .....NA  
 Explosive:  
 Type .....NA

Weight.....NA  
 Incendiary:  
 Type .....NA  
 Weight.....NA  
 Propellant:  
 Type .....WC 844  
 Weight .....26.1 gr  
 Projectile:  
 Weight.....62 gr

**Performance:**

Chamber pressure .....55,000 psi  
 Velocity .....3025 fps, 78 ft from muzzle

**Shipping and Storage Data:**

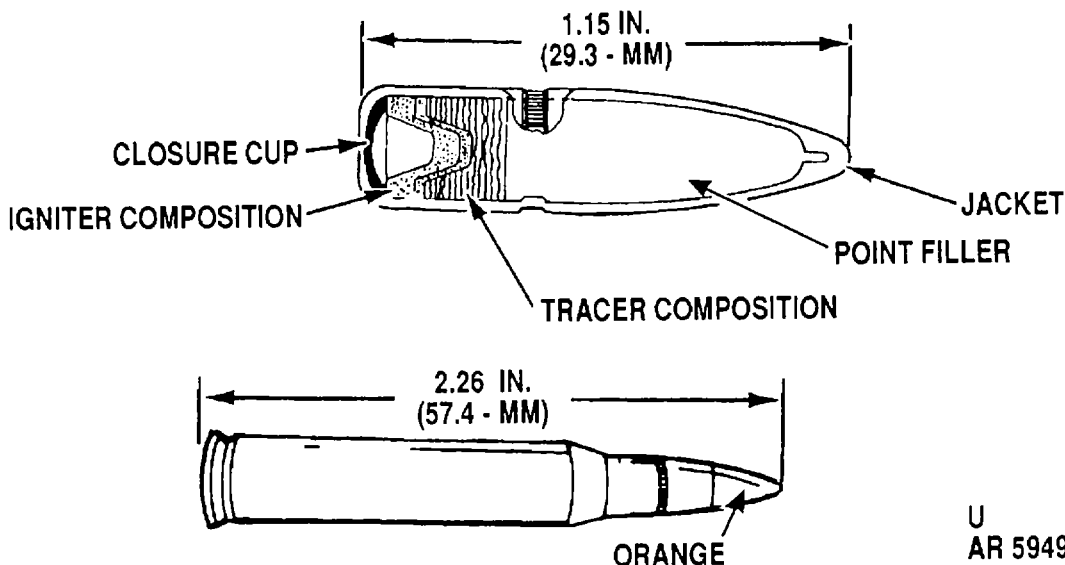
Quantity-distance class/  
 SCG.....1.4S  
 Storage code .....Class V  
 DOT shipping class .....C  
 DOT designation .....SMALL ARMS AMMUNITION  
 Drawing number .....9342862

**References:**

DARCOM 700-3-2  
 TM 9-1300-206  
 TM 9-1305-201-20&P

**THIS PAGE INTENTIONALLY LEFT BLANK**

**CARTRIDGE, 5.56MM, TRACER, M856**



**Type Classification:**

STD - MSR 05826002.

**Use:**

Machine Gun, 5.56mm, M249E1; and Rifle, 5.56mm, M16A2. The tracer is intended to permit visible observation of the bullet's in-flight path or trajectory to the point of impact.

**Description:**

TRACER Cartridge. The cartridge is identified by an orange bullet tip.

**Tabulated Data:**

DODAC.....1305-A063  
 UNO serial number .....0012  
 UNO proper shipping name.....Cartridges for weapons, inert projectile  
 Weight .....191 gr  
 Length.....2.26 in. (57.4 mm)  
 Tracer .....NA  
 Primer.....Percussion  
 Fuze .....NA

**Explosive:**

Type .....NA  
 Weight .....NA

**Incendiary:**

Type .....NA  
 Weight .....NA

**Propellant:**

Type .....WC 844  
 Weight.....24.7 gr

**Projectile:**

Weight .....63.7 gr

**Performance:**

Chamber pressure .....55,000 psi  
 Velocity .....2870 fps, 78 ft from muzzle

**Shipping and Storage Data:**

Quantity-distance class/  
 SCG .....1.4S  
 Storage code.....Class V  
 DOT shipping class .....C  
 DOT designation .....SMALL ARMS AMMUNITION  
 Drawing number.....9342863

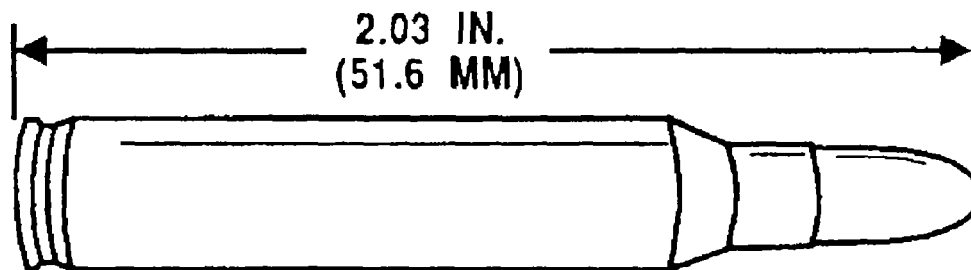
**References:**

SB 700-20  
 TM 9-1300-206



**THIS PAGE INTENTIONALLY LEFT BLANK**

**CARTRIDGE, 5.56MM, PLASTIC, PRACTICE, M862**



**U  
AR 5955**

**Type Classification:**

STD - To be approved.

**Use:**

Rifles, 5.56mm, M16A1 and M16A2 with M2 Practice Bolt. The cartridge is for training in local and urban training areas where range restrictions preclude use of full range standard service ammunition.

**Description:**

PLASTIC Cartridge. The cartridge is identified by a blue plastic bullet.

**Tabulated Data:**

DODAC..... 1305-A065  
 UNO serial number ..... 0012  
 UNO proper shipping name..... Cartridges for weapons, inert projectile  
 Weight ..... 108 gr  
 Length..... 2.03 in. (51.6 mm)  
 Tracer ..... NA  
 Primer..... Percussion  
 Fuze..... NA

**Explosive:**

Type .....NA  
 Weight.....NA

**Incendiary:**

Type .....NA  
 Weight.....NA

**Propellant:**

Type .....WPR 260  
 Weight.....8.7 gr

**Projectile:**

Weight.....3.6 gr

**Performance:**

Chamber pressure..... 15,750 psi  
 Velocity.....4525 fps, 15 ft from muzzle

**Shipping and Storage Data:**

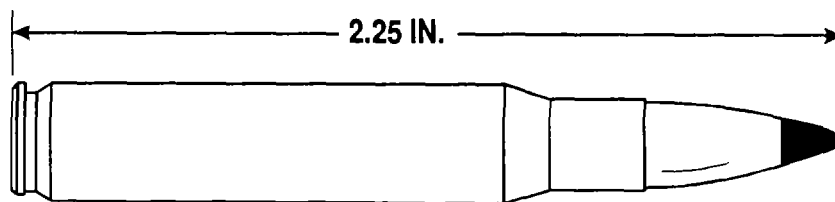
Quantity-distance class/  
 SCG .....1.4S  
 Storage code .....Class V  
 DOT shipping class.....C  
 DOT designation .....SMALL ARMS AMMUNITION  
 Drawing number.....12598589

**References:**

SB 700-20  
 TM 9-1005-249-10  
 TM 9-1300-206

**THIS PAGE INTENTIONALLY LEFT BLANK**

**CARTRIDGE, 5.56MM, ARMOR PIERCING (AP), M995**



U  
AR 7218

**Type Classification:**

Std - 29 Mar 96.

**Use:**

Rifle, 5.56MM, M16A2 Rifle, 5.56MM, M249 Squad Automatic Weapon.

**Description:**

Armor Piercing Cartridge. This cartridge is identified by black bullet tip identification paint.

**Purpose:**

This cartridge provides improved penetration performance against various targets as compared to standard ball ammunition.

**Tabulated Data:**

DODAC..... 1305-AA01,  
1305-AA02  
Weight ..... 180 gr  
Length..... 2.25 in.  
Tracer ..... N/A  
Primer..... 4.5mm Berdan  
Fuze..... N/A  
Explosive:  
Type ..... N/A  
Weight..... N/A

Incendiary:

Type ..... N/A  
Weight..... N/A

Propellant:

Type ..... WCR845  
Weight..... 27.5 gr

Projectile:

Weight..... 52 gr

**Performance:**

Chamber pressure..... 50,250 psi  
Velocity..... 3324 fps at 78 ft  
from muzzle

Shipping and Storage Data:

Linked AP cartridge..... 1305-01-393-7050,  
AA01  
Linked AP cartridge with tracer.. 1305-01-393-7052,  
AA02  
Quantity-distance class/SCG..... 1.4S  
Storage code..... Class C  
DOT shipping class ..... C  
DOT designation ..... SMALL ARMS  
AMMUNITION  
Drawing number..... 12956131

**References:**

TM 9-1005-201-10  
TM 9-1005-319-10  
TM 9-1305-201-20&P  
TM 9-1305-201-34&P

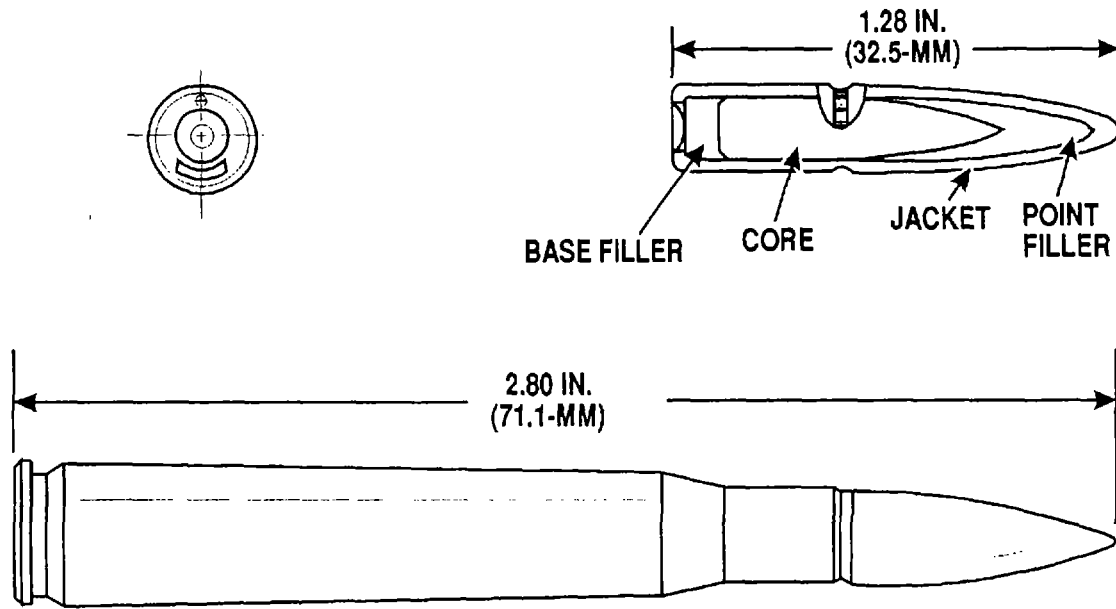
**THIS PAGE INTENTIONALLY LEFT BLANK**

**Change 2 10-26**

**CHAPTER 11**  
**7.62MM CARTRIDGES**

**THIS PAGE INTENTIONALLY LEFT BLANK**

**CARTRIDGE, 7.62MM, BALL, M59**



U  
AR 5956

**Type Classification:**

STD - OTCM 36841.

**Use:**

Machine Guns, 7.62mm, M60 and M219; and Rifle, 7.62mm, M14. The cartridge is intended for use against personnel and unarmored targets.

**Description:**

BALL Cartridge. The cartridge is identified by a plain bullet tip.

**Tabulated Data:**

DODAC..... 1305-A143  
 UNO serial number ..... 0012  
 UNO proper shipping name ..... Cartridges for weapons, inert projectile  
 Weight ..... 393 gr  
 Length..... 2.8 in. (71.1 mm)  
 Tracer ..... NA  
 Primer ..... NA

Fuze ..... NA  
 Explosive:  
   Type ..... NA  
   Weight..... NA  
 Incendiary:  
   Type ..... NA  
   Weight..... NA  
 Propellant:  
   Type ..... WC 846  
   Weight ..... 46 gr  
 Projectile:  
   Weight..... 150.5 gr

**Performance:**

Chamber pressure ..... 50,000 psi  
 Velocity ..... 2750 fps, 78 ft from muzzle

**Shipping and Storage Data:**

Quantity-distance class/  
   SCG ..... 1.4S  
 Storage code ..... Class V  
 DOT shipping class ..... C  
 DOT designation ..... SMALL ARMS AMMUNITION  
 Drawing number ..... 7553702

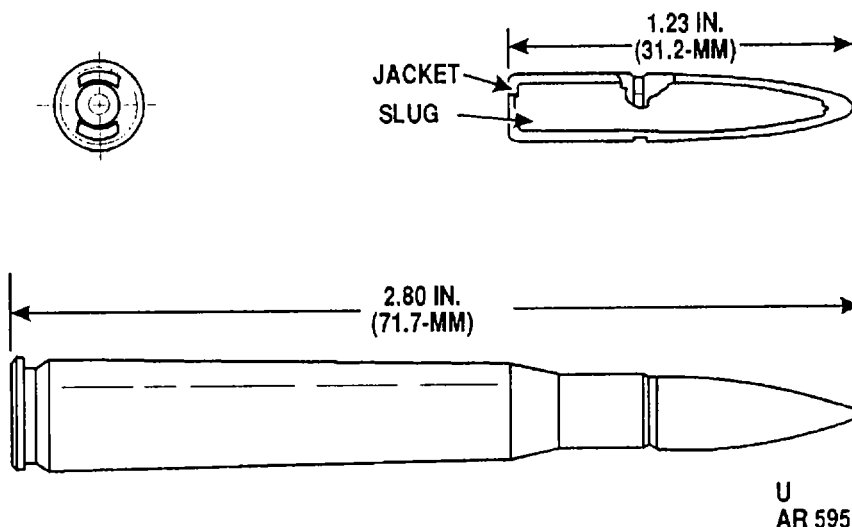


**References:**

SB 700-20  
TM 9-1005-223-10  
TM 9-1005-223-12P

TM 9-1005-224-10  
TM 9-1005-233-10  
TM 9-1005-298-12  
TM 9-1005-313-10  
TM 9-1300-206

**CARTRIDGE, 7.62MM, HIGH PRESSURE TEST, M60**



**Type Classification:**

OBS - MSR 11756003.

**Use:**

All 7.62mm weapons. The cartridge is not for field issue, but is used for proof firing of weapons during manufacture, test, or repair.

**Description:**

HIGH PRESSURE TEST Cartridge. The cartridge is identified by a stannic-stained (silvered) case.

**Function:**

The cartridge is loaded with a special propellant to produce pressures substantially in excess of the service cartridge.

**Tabulated Data:**

DODAC..... 1305-A129  
 UNO serial number ..... 0012  
 UNO proper shipping name ..... Cartridges for weapons, inert projectile  
 Weight ..... 412 gr  
 Length ..... 2.8 in. (71.1 mm)  
 Tracer ..... NA  
 Primer ..... Percussion  
 Fuze ..... NA

**Explosive:**

Type ..... NA  
 Weight ..... NA

**Incendiary:**

Type ..... NA  
 Weight ..... NA

**Propellant:**

Type ..... IMR 4475  
 Weight ..... 41 gr

**Projectile:**

Weight ..... 171.5 gr

**Performance:**

Chamber pressure ..... 67,500 psi  
 Velocity ..... NA

**Shipping and Storage Data:**

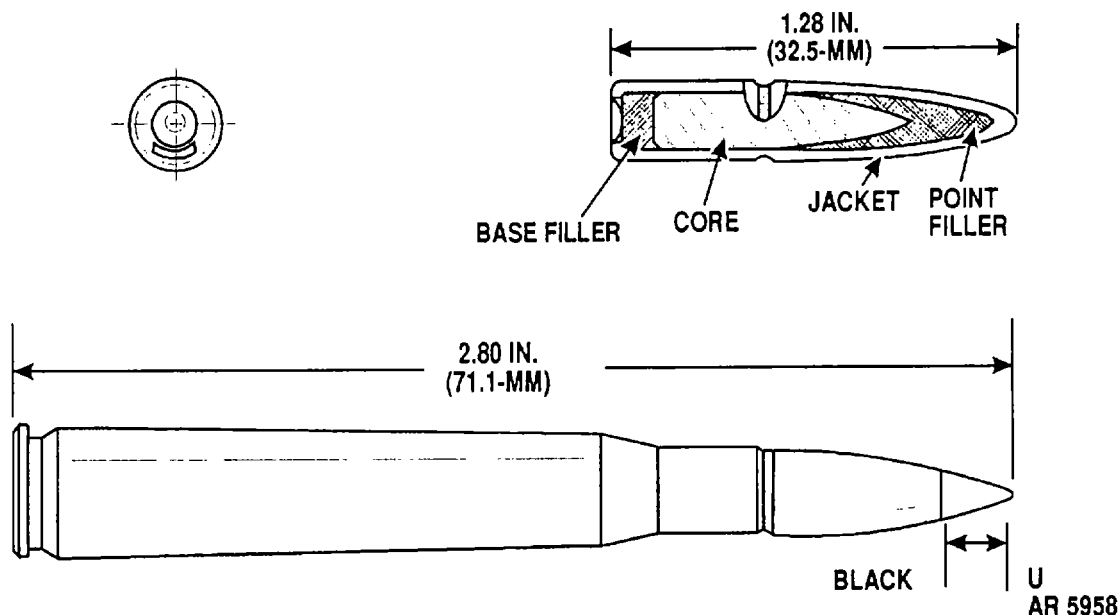
Quantity-distance class/  
 SCG ..... 1.4S  
 Storage code ..... Class V  
 DOT shipping class ..... C  
 DOT designation ..... SMALL ARMS AMMUNITION  
 Drawing number ..... 7553703

**References:**

SB 700-20  
 TM 9-1005-223-10  
 TM 9-1005-223-12P  
 TM 9-1005-224-10  
 TM 9-1005-233-10  
 TM 9-1005-298-12  
 TM 9-1005-313-10  
 TM 9-1300-206

**THIS PAGE INTENTIONALLY LEFT BLANK**

**CARTRIDGE, 7.62MM, ARMOR PIERCING, M61**



**Type Classification:**

OBS - MSR 11756003.

**Use:**

Machine Guns, 7.62mm, M60, M219 and M240; and Rifle, 7.62mm, M14. The cartridge is used in rifles and machine guns against personnel and light armored or unarmored targets, concrete shelters, and similar bullet-resisting targets.

**Description:**

ARMOR PIERCING Cartridge. The cartridge is identified by a black bullet tip.

**Tabulated Data:**

DODAC..... 1305-A120  
 UNO serial number ..... 0012  
 UNO proper shipping name ..... Cartridges for weapons, inert projectile  
 Weight ..... 393 gr  
 Length ..... 2.8 in. (71.1 mm)  
 Tracer ..... NA  
 Primer ..... Percussion

Fuze ..... NA  
 Explosive:  
   Type ..... NA  
   Weight ..... NA  
 Incendiary:  
   Type ..... NA  
   Weight ..... NA  
 Propellant:  
   Type ..... IMR 4475  
   Weight ..... 41 gr  
 Projectile:  
   Weight..... 150.5 gr

**Performance:**

Chamber pressure ..... 50,000 psi  
 Velocity ..... 2750 fps, 78 ft from muzzle

**Shipping and Storage Data:**

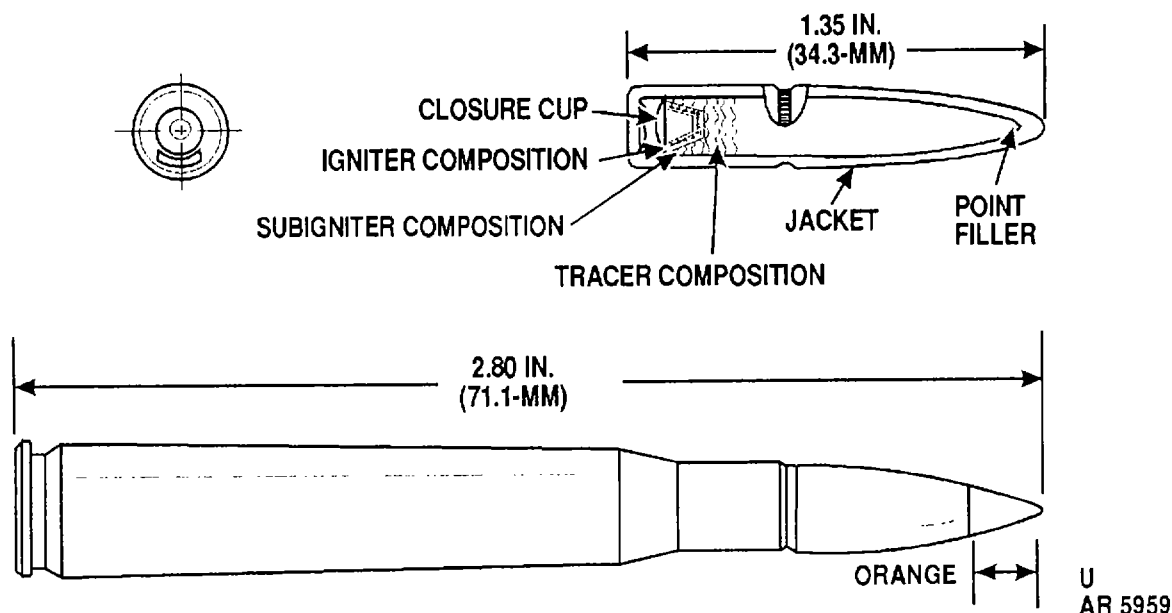
Quantity-distance class/  
   SCG ..... 1.4S  
 Storage code ..... Class V  
 DOT shipping class ..... C  
 DOT designation ..... SMALL ARMS AMMUNITION  
 Drawing number ..... 7553704

**References:**

SB 700-20  
TM 9-1005-223-10  
TM 9-1005-223-12P

TM 9-1005-224-10  
TM 9-1005-233-10  
TM 9-1005-298-12  
TM 9-1005-313-10  
TM 9-1300-206

**CARTRIDGE, 7.62MM, TRACER, M62**



**Type Classification:**

CON - MSR 11756003.

**Use:**

Machine Guns, 7.62mm, M60, M219 and M240; and Rifle, 7.62mm, M14. The tracer is intended to permit visible observation of the bullet's in-flight path or trajectory to the point of impact.

**Description:**

TRACER Cartridge. The cartridge is identified by an orange bullet tip.

**Tabulated Data:**

DODAC..... 1305-A124  
 UNO serial number ..... 0012  
 UNO proper shipping name ..... Cartridges for weapons, inert projectile  
 Weight ..... 383 gr  
 Length..... 2.8 in. (71.1 mm)  
 Tracer ..... R284

Primer..... Percussion  
 Fuze ..... NA  
 Explosive:  
   Type ..... NA  
   Weight ..... NA  
 Incendiary:  
   Type ..... NA  
   Weight..... NA  
 Propellant:  
   Type ..... WC 846  
   Weight ..... 46 gr  
 Projectile:  
   Weight ..... 142 gr

**Performance:**

Chamber pressure ..... 50,000 psi  
 Velocity ..... 2750 fps, 78 ft from muzzle

**Shipping and Storage Data:**

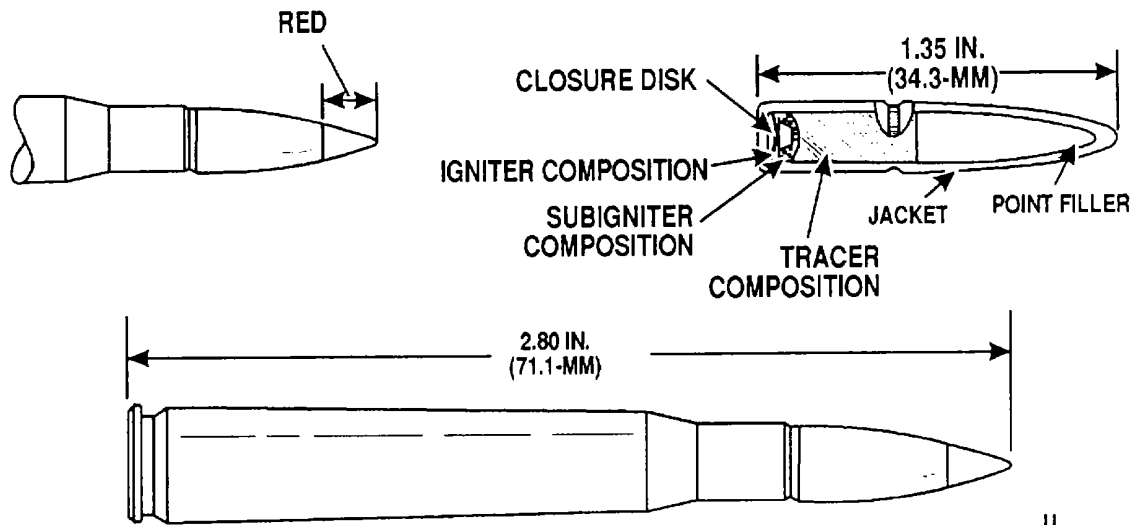
Quantity-distance class/  
   SCG ..... 1.4S  
 Storage code ..... Class V  
 DOT shipping class ..... C  
 DOT designation ..... SMALL ARMS AMMUNITION  
 Drawing number ..... 10522000

**References:**

SB 700-20  
TM 9-1005-223-10  
TM 9-1005-223-12P

TM 9-1005-224-10  
TM 9-1005-233-10  
TM 9-1005-298-12  
TM 9-1005-313-10  
TM 9-1300-206

**CARTRIDGE, 7.62MM, TRACER, M62 (OVERHEAD FIRE MISSION)**



U  
AR 5960

**Type Classification:**

CON - MSR 11756003.

**Use:**

Machine Guns, 7.62mm, M60, M219 and M240; and Rifle, 7.62mm, M14. The cartridge is used in weapons for firing over the heads of troops being trained in field exercises. Stringent production control and screening of ammunition lots ensure the safety of personnel operating immediately below the trajectory of the fired bullets.

**Description:**

TRACER Cartridge. The cartridge is identified by a red bullet tip.

**Tabulated Data:**

DODAC..... 1305-A167  
 UNO serial number ..... 0012  
 UNO proper shipping name ..... Cartridges for weapons, inert projectile  
 Weight ..... 387 gr  
 Length ..... 2.8 in. (71.1 mm)  
 Tracer ..... R284  
 Primer..... Percussion  
 Fuze ..... NA  
 Explosive:  
     Type ..... NA  
 Weight ..... NA

**Incendiary:**

Type ..... NA  
 Weight..... NA

**Propellant:**

Type ..... WC 846  
 Weight ..... 46 gr

**Projectile:**

Weight ..... 146 gr

**Performance:**

Chamber pressure ..... 50,000 psi  
 Velocity ..... 2750 fps, 78 ft from muzzle

**Shipping and Storage Data:**

Quantity-distance class/  
     SCG ..... 1.4S  
 Storage code ..... Class V  
 DOT shipping class ..... C  
 DOT designation ..... SMALL ARMS AMMUNITION  
 Drawing number ..... 10535493

**References:**

SB 700-20  
 TM 9-1005-223-10  
 TM 9-1005-223-12P  
 TM 9-1005-224-10  
 TM 9-1005-233-10  
 TM 9-1005-298-12  
 TM 9-1005-313-10  
 TM 9-1300-206

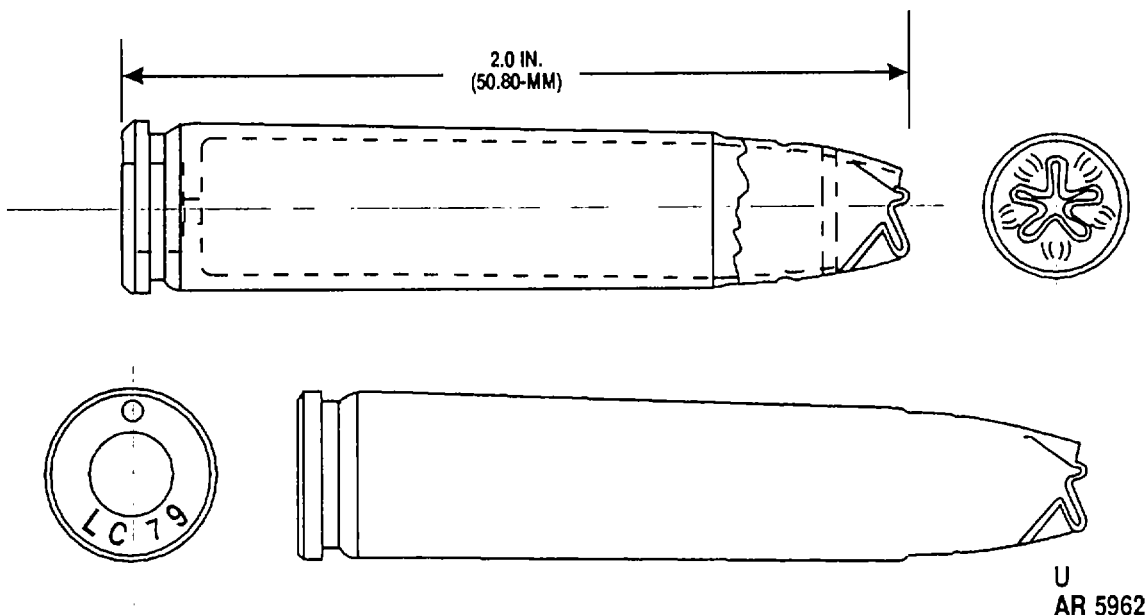


**THIS PAGE INTENTIONALLY LEFT BLANK**



**THIS PAGE INTENTIONALLY LEFT BLANK**

**CARTRIDGE, 7.62MM, GRENADE, M64**



**Type Classification:**

OBS - MSR 11756003.

**Use:**

Rifle, 7.62mm, M14.

**Description:**

GRENADE Cartridge. The cartridge is identified by a rose-petal (rosette-crimp) closure of the cartridge case mouth and sealed with red lacquer.

**Function:**

The cartridge provides pressure upon functioning to project rifle grenade to a desired target when using a grenade projectile adapter and dragon missile launch effect trainer (LET).

**Tabulated Data:**

DODAC..... 1330-G839  
 UNO serial number ..... 0014

UNO proper shipping

name ..... Cartridges for weapons, blank  
 Weight ..... 295 gr  
 Length ..... 2 in. (50.8 mm)  
 Tracer ..... NA  
 Primer ..... Percussion  
 Fuze ..... NA  
 Explosive:  
   Type ..... NA  
   Weight ..... NA  
 Incendiary:  
   Type ..... NA  
   Weight ..... NA  
 Propellant:  
   Type ..... WC 8:30  
   Weight ..... 45 gr  
 Projectile:  
   Weight ..... NA

**Performance:**

Chamber pressure ..... NA  
 Velocity ..... 160 fps, 5.(, ft from muzzle for projected grenade

**Shipping and Storage Data:**

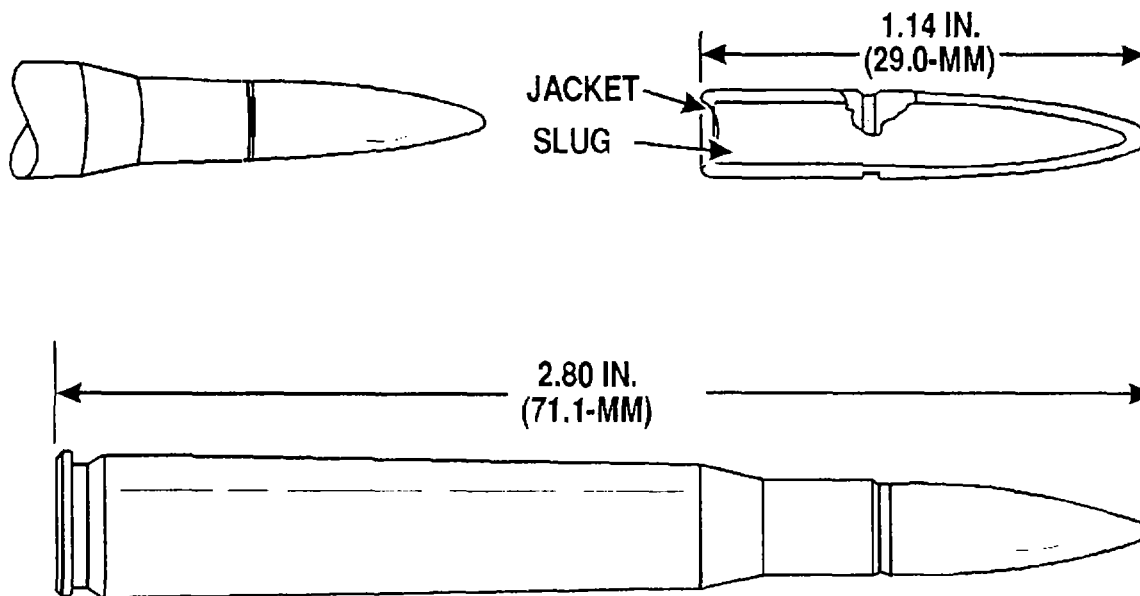
Quantity-distance class/  
 SCG ..... 1.4S  
 Storage code ..... Class V

DOT shipping class ..... C  
DOT designation ..... SMALL ARMS  
                                    AMMUNITION  
Drawing number ..... 7553707

**References:**

SB 700-20  
TM 9-1300-206

**CARTRIDGE, 7.62MM, BAL., M80**



**U**  
**AR 5963**

**Type Classification:**

STD - MSR 07798001.

**Use:**

Machine Guns, 7.62mm, M60, M219 and M240; and Rifle, 7.62mm, M14. The cartridge is intended for use against personnel and unarmored targets.

**Description:**

BALL Cartridge. This cartridge is identified by a plain bullet tip.

**Tabulated Data:**

DODAC..... 1305-A122  
 UNO serial number ..... 0012  
 UNO proper shipping name ..... Cartridges for weapons, inert projectile  
 Weight ..... 392 gr  
 Length..... 2.8 in. (71.1 mm)  
 Tracer ..... NA  
 Primer ..... Percussion  
 Fuze ..... NA

**Explosive:**

Type ..... NA  
 Weight ..... NA

**Incendiary:**

Type ..... NA  
 Weight ..... NA

**Propellant:**

Type ..... WC 846  
 Weight ..... 46 gr

**Projectile:**

Weight ..... 146 gr

**Performance:**

Chamber pressure ..... 50,000() psi  
 Velocity ..... 27501) fps, 78 ft from muzzle

**Shipping and Storage Data:**

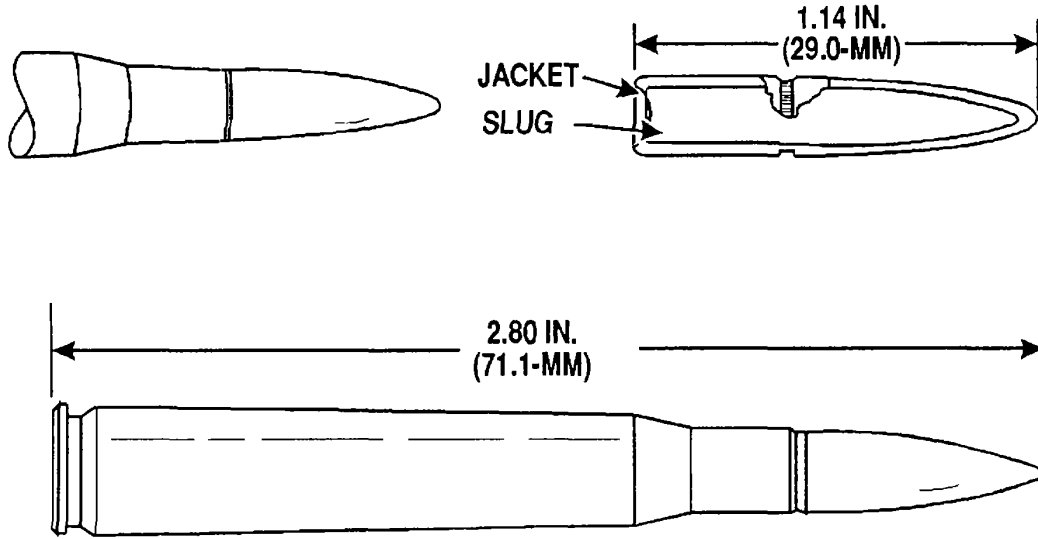
Quantity-distance class/  
 SCG ..... 1.4S  
 Storage code ..... Class V  
 DOT shipping class ..... C  
 DOT designation ..... SMALL ARMS AMMUNITION  
 Drawing number ..... 10521998

**References:**

SB 700-20  
TM 9-1005-223-10  
TM 9-1005-223-12P

TM 9-1005-224-10  
TM 9-1005-233-10  
TM 9-1005-298-12  
TM 9-1005-313-10  
TM 9-1300-206

CARTRIDGE, 7.62MM, BALL, M80 (OVERHEAD FIRE APPLICATION)



U  
AR 5964

**Type Classification:**

STD - MSR 07798001.

**Use:**

Machine Guns, 7.62mm, M60, M219 and M240. The cartridge is used in machine guns for firing over the heads of troops being trained in field exercises. Stringent production control and screening of ammunition lots ensure the safety of personnel operating immediately below the trajectory of the fired bullets.

**Description:**

BALL Cartridge. The cartridge is identified by a plain bullet tip.

**Tabulated Data:**

DODAC..... 1305-A166  
 UNO serial number ..... 0012  
 UNO proper shipping  
     name ..... Cartridges for  
   weapons, inert pro-  
   jectile  
 Weight ..... 392 gr  
 Length ..... 2.8 in. (71.1 mm)

Tracer ..... NA  
 Primer ..... Percussion  
 Fuze ..... NA  
 Explosive:  
     Type ..... NA  
     Weight ..... NA  
 Incendiary:  
     Type ..... NA  
     Weight ..... NA  
 Propellant:  
     Type ..... WC 846  
     Weight ..... 46 gr  
 Projectile:  
     Weight ..... 149 gr

**Performance:**

Chamber pressure ..... 50,000 psi  
 Velocity ..... 2750 fps, 78 ft from  
   muzzle

**Shipping and Storage Data:**

Quantity-distance class/  
     SCG ..... 1.4S  
 Storage code ..... Class V  
 DOT shipping class ..... C  
 DOT designation ..... SMALL ARMS  
   AMMUNITION  
 Drawing number ..... 10523088

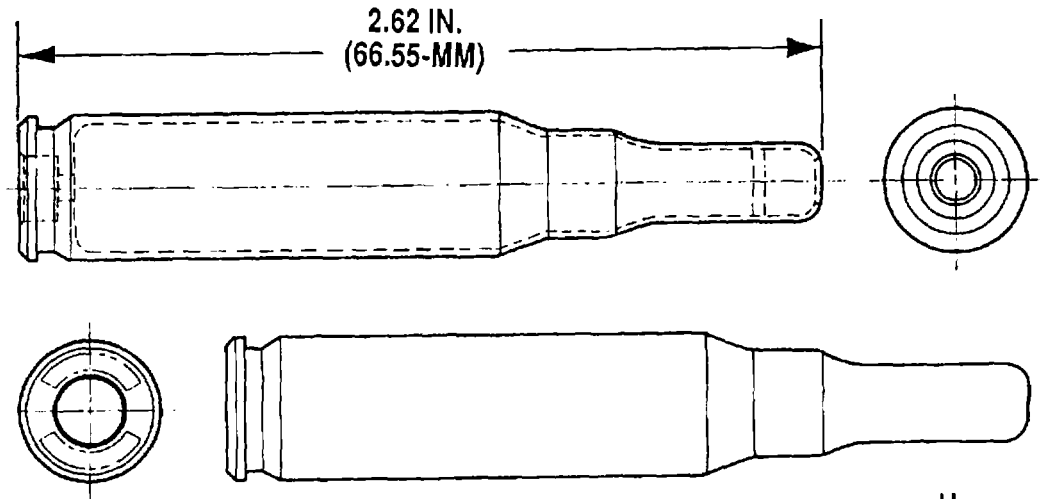


**References:**

SB 700-20  
TM 9-1005-223-10  
TM 9-1005-223-12P

TM 9-1005-224-10  
TM 9-1005-233-10  
TM 9-1005-298-12  
TM 9-1005-313-10  
TM 9-1300-206

**CARTRIDGE, 7.62MM, BLANK, M82**



**U**  
**AR 5969**

**Type Classification:**

STD - OTCM 36841.

**Use:**

Machine Guns, 7.62mm, M60, M219 and M240; and Rifle, 7.62mm, M14. The cartridge is used in rifles and machine guns equipped with blank firing attachments to simulate firing in training exercises and for saluting purposes.

**Description:**

BLANK Cartridge. The cartridge is identified by its double tapered neck and absence of a bullet.

**Tabulated Data:**

DODAC ..... 1305-A112  
 UNO serial number ..... 0014  
 UNO proper shipping  
     name ..... Cartridges for  
                                     weapons, blank  
 Weight ..... 235 gr  
 Length ..... 2.62 in. (66.55 mm)  
 Tracer ..... NA  
 Primer ..... Percussion  
 Fuze ..... NA  
 Explosive:  
     Type ..... NA

Weight ..... NA  
 Incendiary:  
     Type ..... NA  
     Weight ..... NA  
 Propellant:  
     Type ..... SR 8231  
     Weight ..... 15 gr

**Performance:**

Chamber pressure ..... NA  
 Velocity ..... NA

**Shipping and Storage Data:**

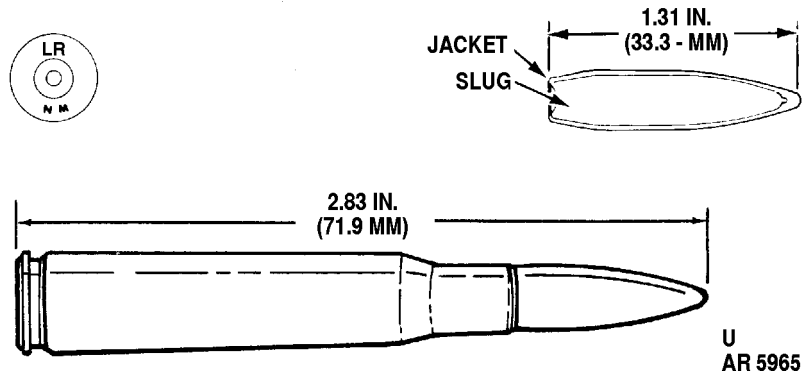
Quantity-distance class/  
 SCG ..... 1.4S  
 Storage code ..... Class V  
 DOT shipping class ..... C  
 DOT designation ..... SMALL ARMS  
   AMMUNITION  
 Drawing number ..... 8597283

**References:**

SB 700-20  
 TM 9-1005-223-10  
 TM 9-1005-223-12P  
 TM 9-1005-224-10  
 TM 9-1005-233-10  
 TM 9-1005-298-12  
 TM 9-1005-313-10  
 TM 9-1300-206

**THIS PAGE INTENTIONALLY LEFT BLANK**

**CARTRIDGE, 7.62MM, BALL, SPECIAL, M118: LONG RANGE**



**Type Classification:**

STD - MSR.

**Use:**

Rifles, 7.62mm, M14, M21, M24, and M40A1. The cartridge is intended and specifically prepared for use in high accuracy weapons.

**Description:**

BALL, LONG RANGE Cartridge. The cartridge is identified by cartridge case head stampings with LR design mark, manufacturer and year.

**Tabulated Data:**

DODAC -----	1305-AA11
UNO serial number -----	0012
UNO proper shipping name -----	Cartridges for weapons, inert projectile
Weight -----	390 gr
Length -----	2.83 in. (71.9 mm)
Tracer -----	NA
Primer -----	Percussion
Fuze -----	NA
Explosive:	
Type -----	NA
Weight -----	NA

**Incendiary:**

Type -----	NA
Weight -----	NA

**Propellant:**

Type -----	WC 750
Weight -----	44 gr

**Projectile:**

Weight -----	175 gr
--------------	--------

**Performance:**

Chamber pressure -----	52,000 psi
Velocity -----	2640 fps

**Shipping and Storage Data:**

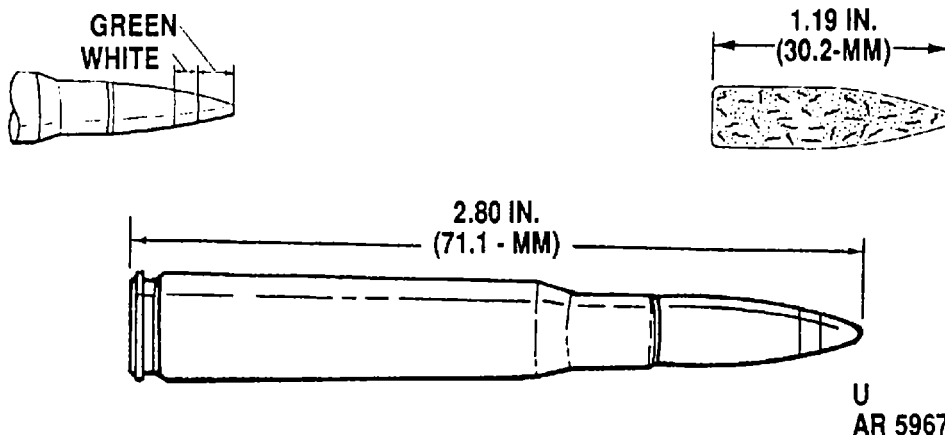
Quantity-distance class/SCG -----	1.4S
Storage code -----	Class V
DOT shipping class -----	C
DOT designation -----	SMALL ARMS AMMUNITION
Drawing number -----	8597555

**References:**

EM 0007  
 TM 9-1005-223-10  
 TM 9-1005-223-12P  
 AR 385-64  
 DA PAM 385-64

**THIS PAGE INTENTIONALLY LEFT BLANK**

**CARTRIDGE, 7.62MM, FRANGIBLE, M160**



**Type Classification:**

STD - AMCTC 2186.

**Use:**

Machine Guns, 7.62mm, M219 and M240. The cartridge is designed for firing single shots in the machine gun for gunnery practice.

**Description:**

**FRANGIBLE** Cartridge. The cartridge is identified by a green bullet tip with a white ring to the rear of the green tip.

**Function:**

The frangible bullet, upon striking a target, disintegrates, leaving a mark at the point of impact. It is not to be fired on indoor ranges unless they are well ventilated to prevent the buildup of bullet "dust," which is toxic.

**Tabulated Data:**

DODAC..... 1305-A147  
 UNO serial number ..... 0012  
 UNO proper shipping name ..... Cartridges for weapons, inert projectile  
 Weight ..... 315 gr  
 Length ..... 2.8 in. (71.1 mm)  
 Tracer ..... NA  
 Primer..... Percussion

Fuze ..... NA  
 Explosive:  
   Type ..... NA  
   Weight ..... NA  
 Incendiary:  
   Type ..... NA  
   Weight ..... NA  
 Propellant:  
   Type ..... SR 8074  
   Weight ..... 10.5 gr  
 Projectile:  
   Weight ..... 108.5 gr

**Performance:**

Chamber pressure ..... NA  
 Velocity ..... 1320 fps, 100 yd from muzzle

**Shipping and Storage Data:**

Quantity-distance class/  
   SCG ..... 1.4S  
 Storage code ..... Class V  
 DOT shipping class ..... C  
 DOT designation ..... SMALL ARMS AMMUNITION  
 Drawing number ..... 10522476

**References:**

SB 700-20  
 TM 9-1005-224-10  
 TM 9-1005-233-10  
 TM 9-1005-298-12  
 TM 9-1005-313-10  
 TM 9-1300-206

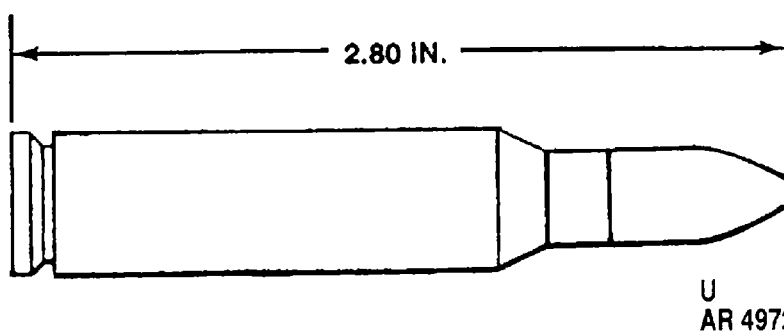
**THIS PAGE INTENTIONALLY LEFT BLANK**





**THIS PAGE INTENTIONALLY LEFT BLANK**

CARTRIDGE, 7.62MM, DIM TRACER, M276



**Type Classification:**

STD - Being performed.

**Use:**

Rifle, 7.62mm, M14; Machine Guns, 7.6mm, M60, M240, M219 and M134. The combat cartridge is to be used by soldiers equipped with night vision equipment.

**Description:**

COMBAT Cartridge. The cartridge is identified by a pink ring behind a green tip.

**Tabulated Data:**

DODAC..... 1305-A163  
 UNO serial number ..... 0012  
 UNO proper shipping  
   name ..... Cartridges for  
                   weapons, inert pro-  
                   jectile  
 Weight ..... 381 gr  
 Length ..... 2.8 in.  
 Tracer ..... R440 Trace Mix  
 Primer ..... Percussion  
 Fuze ..... NA  
 Explosive:  
   Type ..... NA  
   Weight ..... NA  
 Incendiary:

Type ..... NA  
 Weight ..... NA  
 Propellant:  
   Type ..... WC-846  
   Weight ..... 46 gr  
 Projectile weight ..... 140-150 gr

**Performance:**

Chamber pressure ..... 50,000 psi  
 Velocity ..... 2750 fps (GMCS)  
                             and 2680 fps (GM),  
                             78 ft from muzzle

**Shipping and Storage Data:**

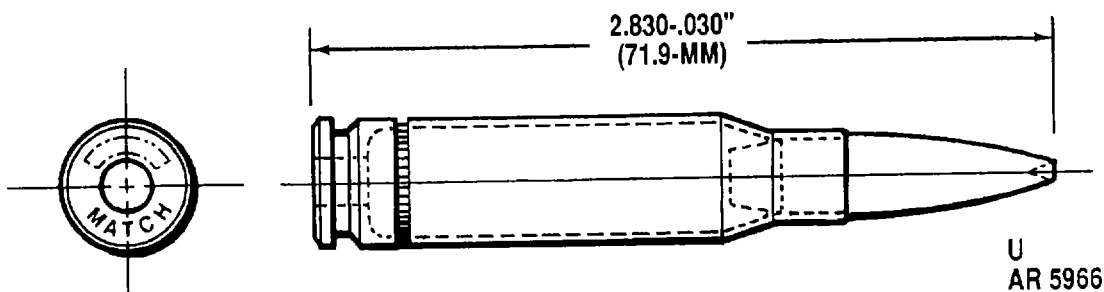
Quantity-distance class/  
   SCG ..... 1.4S  
 Storage code ..... C  
 DOT shipping class ..... C  
 DOT designation ..... CARTRIDGES  
                                     SMALL ARMS

**References:**

DMWR 9-1300-0017-D1  
 TM 9-1305-201-20&P  
 TM 9-1305-201-34&P

**THIS PAGE INTENTIONALLY LEFT BLANK**

**CARTRIDGE, 7.62 MM, MATCH, M852**



**Type Classification:**

STD - MSR 09816009.

**Use:**

Rifle, 7.62 mm, M14, NATIONAL MATCH. The cartridge is intended and specifically prepared for use in those weapons designated as competitive rifles and also for marksmanship training. The cartridge is not for combat use.

**Description:**

MATCH Cartridge. The cartridge is identified by the cartridge case head stamping of MATCH. It also has a knurl at the base of the cartridge case and a hollow point bullet.

**Tabulated Data:**

DODAC..... 1305-A171  
 UNO serial number ..... 0012  
 UNO proper shipping  
   name ..... Cartridges for  
   weapons, inert projectile  
 Weight ..... 385 gr  
 Length..... 2.83 in. (71.9 mm)

Tracer- .....NA  
 Primer .....Percussion  
 Fuze .....NA  
 Explosive:  
   Type .....NA  
   Weight .....NA  
 Incendiary:  
   Type .....NA  
   Weight .....NA  
 Propellant:  
   Type .....IMR 4895  
   Weight .....42 gr  
 Bullet:  
   Type .....Hollow point  
   Weight .....168 gr

**Performance:**

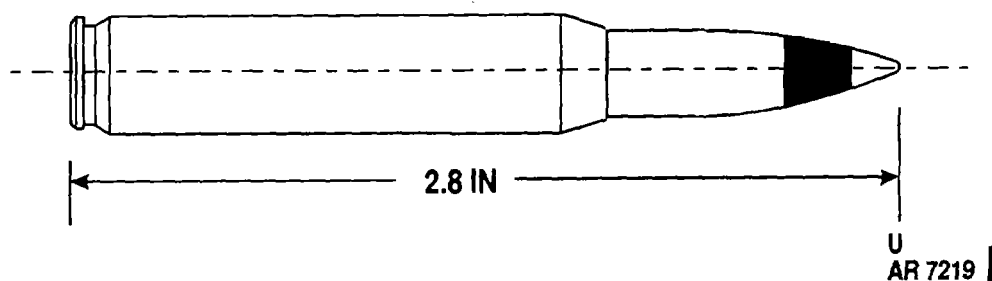
Chamber pressure .....50,000 psi  
 Velocity .....2550 fps, 772 nips

**Shipping and Storage Data:**

Quantity-distance class/  
 SCG..... 1.4S  
 Storage code .....Class V  
 DOT shipping class ..... C  
 DOT designation .....SMALL ARMS  
 AMMUNITION  
 Drawing number..... 9341551

**THIS PAGE INTENTIONALY LEFT BLANK**

**CARTRIDGE, 7.62 MM, ARMOR PIERCING (AP), M993**



**Type Classification:**

Std - 16 Feb 96.

**Use:**

Rifle, 7.62 MM, M24 Sniper Weapon System  
Machine Guns, 7.62 mm: M60 and M240.

**Description:**

7.62 mm Armor Piercing Cartridge. The cartridge is identified by a black stripe circling the tip of the projectile. This item will be linked with M62 Tracer.

**Purpose:**

The 7.62 mm cartridge provides an enhanced armor penetrating capability for use in standard 7.62 mm weapons.

**Tabulated Data:**

DODAC.....	1305-01-398-1450, AA03; 1305-01-398-1449, AA04
Weight .....	362.6 gr
Length.....	2.80 in.
Tracer .....	N/A
Primer .....	Percussion
Fuze.....	N/A
Explosive:	
Type .....	N/A
Weight.....	N/A

**Incendiary:**

Type .....	N/A
Weight.....	N/A

**Propellant:**

Type .....	Bofors NC1290
Weight.....	45 gr

**Projectile:**

Weight.....	126.6 gr
-------------	----------

**Performance:**

Average chamber pressure at 70°F.....	55,115 psi
Average velocity at 70°F .....	2985 fps at 78 ft from muzzle

**Shipping and Storage Data:**

M993 AP, carton packed .....	1305-01-398-1450, DODAC AA03
M993 AP and M62 tracer, linked in 24:1 ratio.....	1305-01-398-1449, DODAC AA04
Quantity-distance class/SCG .....	1.4C
Storage code.....	Class C
DOT shipping class .....	C
DOT designation .....	SMALL ARMS AMMUNITION
Drawing number.....	12956134

**References:**

- TM 9-1005-224-10
- TM 9-1005-306-10
- TM 9-1005-313-10
- TM 9-1305-201-20&P
- TM 9-1305-201-34&P

**THIS PAGE INTENTIONALLY LEFT BLANK**

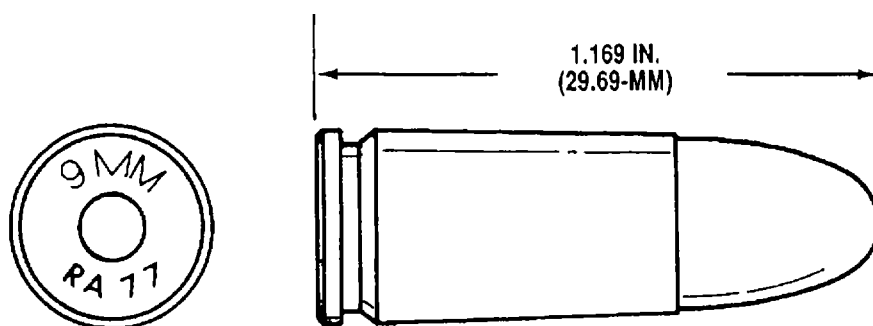
**11-34 Change 2**

**CHAPTER 12**  
**9 MM CARTRIDGES**



**THIS PAGE INTENTIONALLY LEFT BLANK**

**CARTRIDGE, 9 MM, BALL**



U  
AR 5970

**Type Classification:**

Commercial.

**Use:**

Modified M3 Submachine Gun or commercial weapons. (The use in M9 Pistol is not authorized.) The cartridge is intended for use against personnel.

**Description:**

BALL Cartridge.

**Tabulated Data:**

DODAC .....	1305-A360
UNO serial number .....	0012
UNO proper shipping name .....	Cartridges for weapons, inert projectile
Weight .....	182 gr
Length .....	1.169 in. (29.69 mm)
Tracer .....	NA
Primer .....	Percussion
Fuze .....	NA
Explosive:	
Type .....	NA
Weight .....	NA

**Incendiary:**

Type ..... NA  
Weight ..... NA

**Propellant:**

Type ..... Commercial  
Weight ..... MBR  
Projectile weight ..... 115 gr

**Performance:**

**NOTE**

**Mid case pressures normally run 8000 to 10,000 psi higher than case mouth pressure.**

Mid case pressure .....	38,500 psi (avg), 43,000 psi (max)
Velocity .....	1125 + 90 fps, 15 ft from muzzle

**Shipping and Storage Data:**

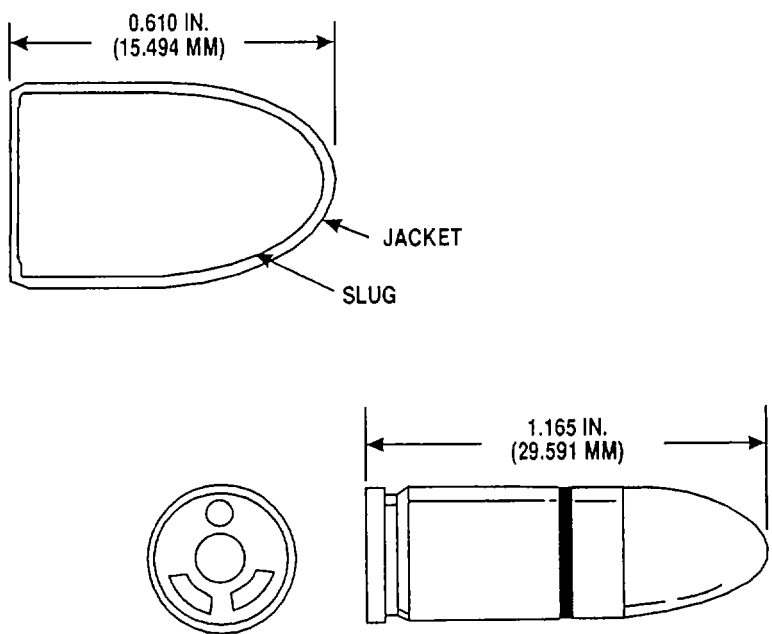
Quantity-distance class/ SCG .....	1.4S
Storage code .....	Class V
DOT shipping class .....	C
DOT designation .....	SMALL ARMS AMMUNITION
Drawing number .....	10542448

**References:**

SB 700-20  
TM 9-1300-206

**THIS PAGE INTENTIONALLY LEFT BLANK**

**CARTRIDGE, 9 MM, BALL, NATO, M882**



U  
AR 5971

**Type Classification:**

HQDA (DAMA-CSM), dated 15 April 85.

**Use:**

Pistol, 9 mm, M9. The cartridge is intended for use against personnel.

**NOTE**

**M882 ammunition can be used in the following nonstandard weapons:**

<u>Pistol</u>	<u>Submachine Guns</u>
HK P7 series (GE)	HK MP5 (GE)
Walther P38 (GE)	HK MP5SD (GE)
FN P35 (BE)	IMI Uzi (IS)
	Baretta M12 (IT)
	FFV M45/45B (SW)
	Madsen M50 (DE)
	CZ M23 (CZ)
	Sten MK II (UK)
	Sterling 12A3 (UK)

**Description:**

BALL Cartridge. The cartridge is identified by the plain bullet tip.

**Tabulated Data**

DODAC .....	1305-A3(3)
UNO serial number .....	0012
UNO proper shipping name .....	Cartridges for weapons, inert projectile
Weight.....	179 gr
Length .....	1.165 in. (29.591 mm)
Tracer .....	NA
Primer .....	Percussion
Fuze .....	NA
Explosive:	
Type .....	NA
Weight .....	NA
Incendiary:	
Type .....	NA
Weight .....	NA
Propellant:	
Type .....	HPC 26
Weight.....	6 gr
Projectile weight.....	112 gr

**Performance:**

Case mouth pressure .....31,175 psi (avg),  
36,250 psi (max)  
Velocity .....1263 ± 5 fps, 15 ft  
from muzzle

Storage code ..... Class V  
DOT shipping class .....C  
DOT designation .....SMALL ARMS  
AMMUNITION  
Drawing number.....9345211

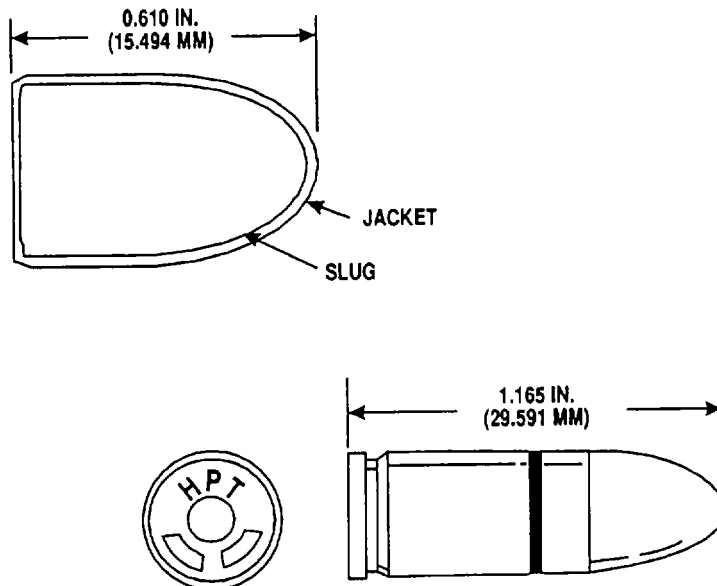
**Shipping and Storage Data:**

Quantity-distance class/  
SCG .....1.4S

**References:**

SB 700-20  
TM 9-1300-206

**CARTRIDGE, 9MM, HIGH PRESSURE TEST, M905**



U  
AR 5972

**Type Classification:**

HQDA (DAMA-CSM), dated 15 April 85.

**Use:**

Proof testing of M9 pistols. The cartridge is intended for use in proofing new pistols and test barrels to demonstrate safety prior to releasing weapons to the field.

**Description:**

HIGH PRESSURE TEST Cartridge. The cartridge is identified by a tinned cartridge case and high pressure test head stamp.

**Tabulated Data:**

DODAC.....	1305-A364
UNO serial number .....	0012
UNO proper shipping name.....	Cartridges for weapons, inert projectile
Weight .....	179 gr
Length.....	1.165 in. (29.591 mm)
Tracer .....	NA
Primer.....	Percussion

Fuze.....	NA
Explosive:	
Type .....	NA
Weight.....	NA
Incendiary:	
Type .....	NA
Weight .....	NA
Propellant:	
Type .....	WC 370
Weight.....	7.5 gr

**Performance:**

Chamber pressure .....	50,000 psi
Velocity.....	NA

**Shipping and Storage Data:**

Quantity-distance class/	
SCG .....	1.4C
Storage code.....	Class V
DOT shipping class .....	C
DOT designation .....	SMALL ARMS AMMUNITION
Drawing number .....	9378265

**References:**

SB 700-20
TM 9-1300-206

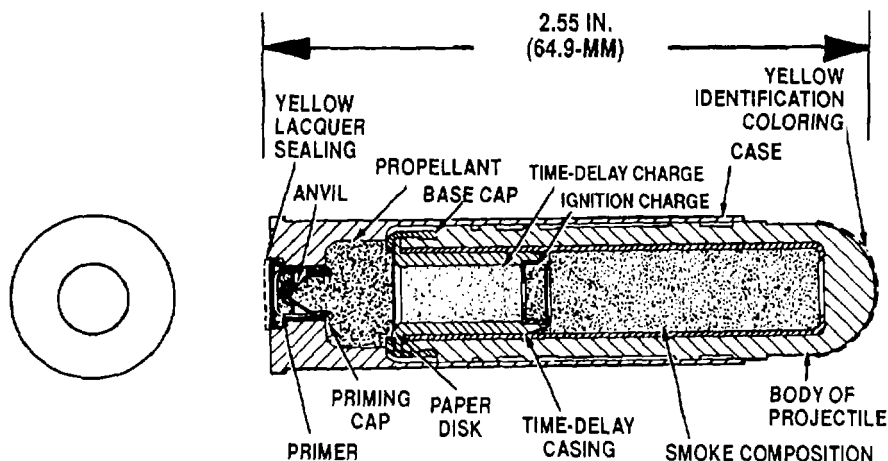
**THIS PAGE INTENTIONALLY LEFT BLANK**

**CHAPTER 13**  
**14.5 MM CARTRIDGES**



**THIS PAGE INTENTIONALLY LEFT BLANK**

**CARTRIDGE, 14.5 MM, TRAINER-SPOTTER, M181A1**



U  
AR 5973

**Type Classification:**

STD - AMCTC 138.

**Use:**

Artillery Trainer, M31.

**Description:**

TRAINER-SPOTTER Cartridge. The cartridge has a chemical-filled (smoke composition) projectile. It is identified by the markings on the cartridge case and a yellow projectile tip. The cartridge has no fuze and it uses a time delay element to provide an air burst.

**Function:**

When the cartridge is fired, the heat of the propellant gases ignites the delay element. The delay element burns 3 seconds and, in turn, ignites the smoke composition. The heat and pressure produced by the burning filler rupture the plastic closing disc at the projectile base and a visible puff of smoke is emitted.

**Tabulated Data:**

DODAC.....1305-A365  
 UNO serial number .....0012  
 UNO proper shipping name ..... Cartridges for weapons, inert projectile

Weight .....1065 gr  
 Length .....2.55 in. (64.9 mm)  
 Tracer .....NA  
 Primer .....Percussion  
 Fuze .....Powder train delay  
 Explosive:  
   Type .....NA  
   Weight.....NA  
 Incendiary:  
   Type .....NA  
   Weight.....NA  
 Propellant:  
   Type .....Hi Skor 700X  
   Weight.....3.5 gr

**Performance:**

Chamber pressure..... NA  
 Velocity .....100 mps, 4 m from muzzle; 328 fps, 15 ft from muzzle

**Shipping and Storage Data:**

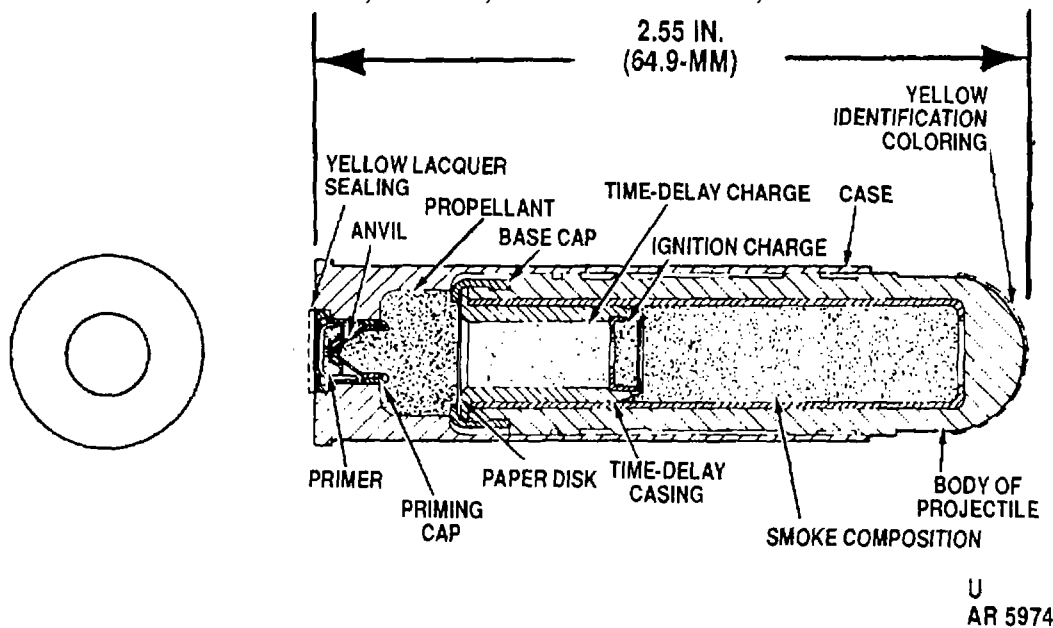
Quantity-distance class/  
 SCG .....1.4S  
 Storage code..... Class V  
 DOT shipping class .....C  
 DOT designation ..... SMALL ARMS AMMUNITION  
 Drawing number ..... 9098295

**References:**

SB 700-20  
 TM 9-1300-206

**THIS PAGE INTENTIONALLY LEFT BLANK**

**CARTRIDGE, 14.5 MM, TRAINER-SPOTTER, M182A1**



**Type Classification:**

STD - AMCTC 138.

**Use:**

Artillery Trainer, M31.

**Description:**

TRAINER-SPOTTER Cartridge. The cartridge has a chemical-filled (smoke composition) projectile. It is identified by the markings on the cartridge case and a yellow projectile tip. The cartridge has no fuze and it uses a time delay element to provide an air burst.

**Function:**

When the cartridge is fired, the heat of the propellant gases ignites the delay element. The delay element burns 6 seconds and, in turn, ignites the smoke composition. The heat and pressure produced by the burning filler rupture the plastic closing disc at the projectile base and a visible puff of smoke is emitted.

**Tabulated Data:**

DODAC .....1305-A366  
 UNO serial number .....0012  
 UNO proper shipping name .....Cartridges for weapons, inert projectile

Weight ..... 1065 gr  
 Length..... 2.55 in. (64.9 mm)  
 Tracer- ..... NA  
 Primer..... Percussion  
 Fuze ..... Powder train delay  
 Explosive:  
   Type - ..... NA  
   Weight ..... NA  
 Incendiary:  
   Type ..... NA  
   Weight..... NA  
 Propellant:  
   Type ..... Hi Skor 700X  
   Weight..... 3.5 gr  
 Performance:  
 Chamber pressure..... NA  
 Velocity ..... 100 ips, 4 m from muzzle; 328 fps, 15 ft from muzzle

**Shipping and Storage Data:**

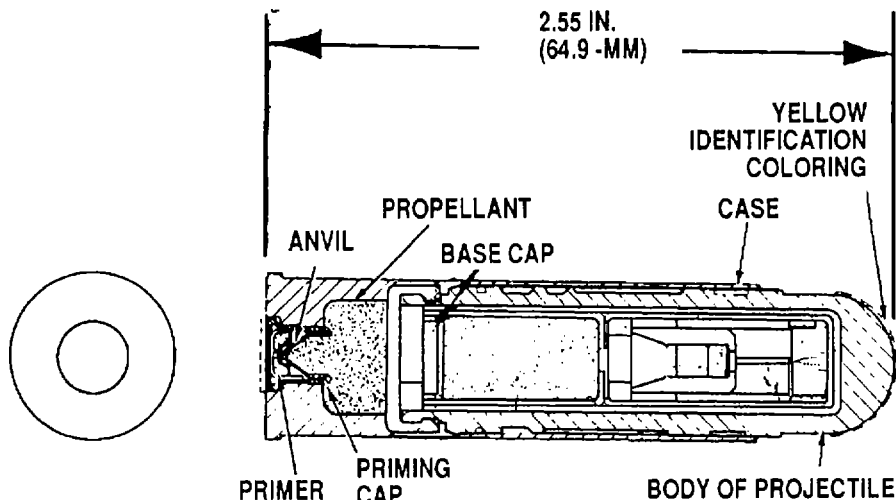
Quantity-distance class/  
   SCG ..... 1.4S  
 Storage code ..... Class V  
 DOT shipping class ..... C  
 DOT designation ..... SMALL ARMS AMMUNITION  
 Drawing number ..... 9098297

**References:**

SB 700-20  
 TM 9-1300-206

**THIS PAGE INTENTIONALLY LEFT BLANK**

**CARTRIDGE, 14.5 MM, TRAINER-SPOTTER, M183A1**



U  
AR 5975

**Type Classification:**

STD - AMCTC 138.

**Use:**

Artillery Trainer, M31.

**Description:**

TRAINER-SPOTTER Cartridge. The cartridge consists of a cartridge case, a chemical filled (smoke composition) projectile, and a fuze with a small explosive charge to provide a visible and audible verification at point of impact. The cartridge is identified by the markings on the cartridge case and a yellow projectile tip.

**Function:**

The projectile impacts with the target. The point detonating fuze functions and an explosion charge within the fuze ignites the smoke composition and ejects it out the base of the projectile.

**Tabulated Data:**

DODAC .....1305-A367  
 UNO serial number ..... 0012  
 UNO proper shipping name..... Cartridges for weapons, inert projectile  
 Weight .....1065 gr

Length .....2.55 in. (64.9 mm)  
 Tracer ..... NA  
 Primer .....Percussion  
 Fuze .....PD  
 Explosive:  
   Type ..... NA  
   Weight .....NA  
 Incendiary:  
   Type .....NA  
   Weight .....NA  
 Propellant:  
   Type .....Hi Skor 700X  
   Weight ..... 3.5 gr  
 Performance:  
 Chamber pressure .....NA  
 Velocity .....100 nips, 4 m from muzzle; 328 fps, 15 ft from muzzle

**Shipping and Storage Data:**

Quantity-distance class/  
   SCG ..... 1.4S  
 Storage code .....Class V  
 DOT shipping class .....C  
 DOT designation ..... SMALL ARMS AMMUNITION  
 Drawing number ..... 9098293

**References:**

SB 700-20  
 TM 9-1300-206

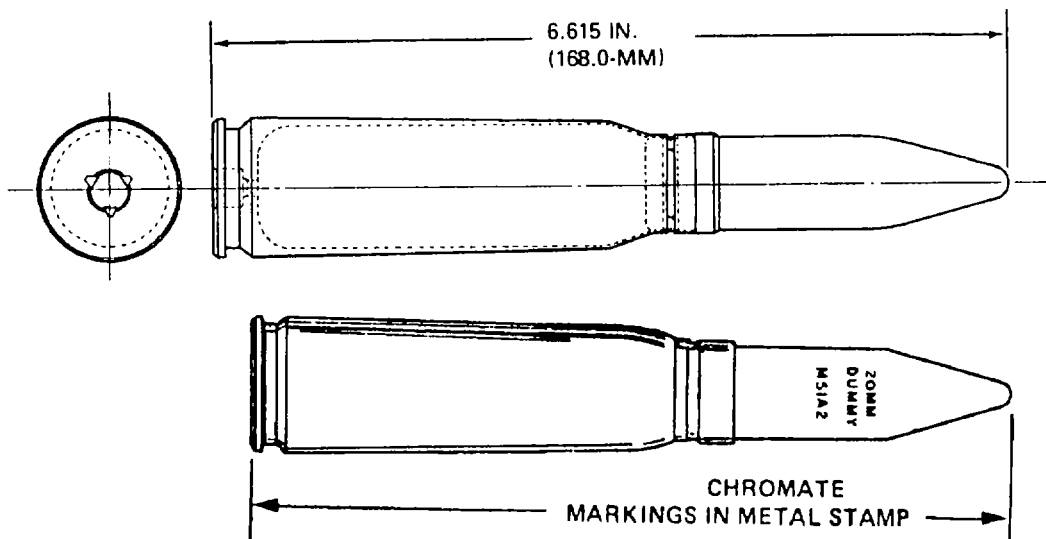
**THIS PAGE INTENTIONALLY LEFT BLANK**

**CHAPTER 14**  
**20MM CARTRIDGES**



**THIS PAGE INTENTIONALLY LEFT BLANK**

**CARTRIDGE, DUMMY, 20MM, M51A2**



U  
AR 5976

**Type Classification:**

STD - AMCTC 6900.

**Use:**

Guns, 20mm, M39, M61, M139, M168, M195 and M197. The cartridge is a completely inert assembly used for filling the conveyor system during shipment or storage and for nonfiring system checkout.

**Description:**

DUMMY Cartridge.

**Tabulated Data:**

DODAC..... 1305-A924  
 Weight ..... 3850 gr  
 Length.....6.615 in. (168 mm)  
 Tracer ..... NA  
 Primer ..... NA  
 Fuze..... NA  
 Explosive:  
 Type ..... NA  
 Weight ..... NA

**Incendiary:**

Type .....NA  
 Weight .....NA

**Propellant:**

Type .....NA  
 Weight.....NA

**Performance:**

Chamber pressure .....NA  
 Velocity .....NA

**Shipping and Storage Data:**

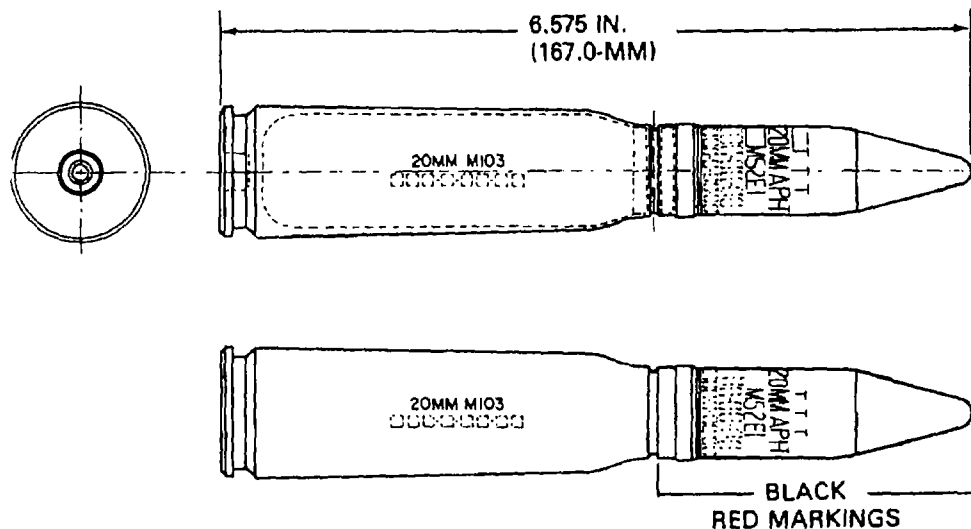
Quantity-distance class/  
 SCG .....NA  
 Storage code .....NA  
 DOT shipping class .....NA  
 DOT designation ..... NONEXPLOSIVE  
 AMMUNITION  
 Drawing number .....11075758

**References:**

SB 700-20  
 TM 9-1005-286-10  
 TM 9-1300-206

**THIS PAGE INTENTIONALLY LEFT BLANK**

**CARTRIDGE, 20 MM, ARMOR PIERCING INCENDIARY-TRACER, M52R1**



U  
AR 5977

**Type Classification:**

STD - OI'CM 37404.

**Use:**

Guns, 20mm, M39, M61 and M195. The cartridge is used against moderately armed targets and when incendiary effect is needed.

**Description:**

ARMOR PIERCING INCENDIARY-TRACER Cartridge. The armor piercing shot is the main part of the projectile. The ballsitic cap (ogive) contains an incendiary composition. The cartridge is identified by a projectile painted black with red markings.

**Function:**

The nose/ogive of the projectile impacts with the target and ruptures, and the incendiary composition ignites upon exposure to the air.

**Tabulated Data:**

DODAC..... 1305-A870  
 Weight .....3900 gr  
 Length.....6.575 in. (167 mm)  
 Tracer- ..... R284  
 Primer .....Electric, M52A3B1  
 Fuze ..... NA

**Explosive:**

Type ..... NA  
 Weight..... NA

**Incendiary:**

Type ..... 1280  
 Weight..... 65 gr

**Propellant:**

Type ..... WC 870 or WC 872  
 Weight..... MBR (585-805)

**Performance:**

Chamber pressure ..... 60,500 psi  
 Velocity ..... 3380 fps, 78 ft from muzzle

**Shipping and Storage Data:**

Quantity-distance class/  
 SCG ..... 1.4G  
 Storage code..... Class V  
 DOT shipping class ..... A  
 DOT designation ..... AMMUNITION FOR SMALL ARMS WITH INCENDIARY PROJECTILES  
 Drawing number ..... 7259218

**References:**

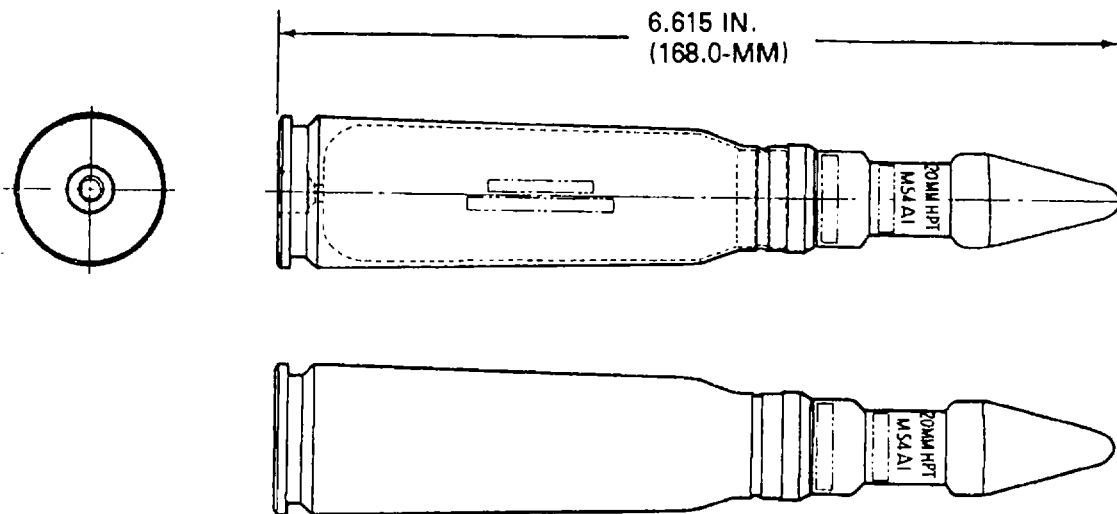
SB 700-20  
 TM 9-1300-206

**THIS PAGE INTENTIONALLY, LEFT BLANK**



**THIS PAGE INTENTIONALLY LEFT BLANK**

**CARTRIDGE, 20 MM, BALI,, HIGH PRESSURE TEST, M54A1**



U  
AR 5979

**Type Classification:**

STD - AMCTC 6899.

**Use:**

Guns, Automatic, 20mm, M39 and M61 chambered for the M103 case configuration. The cartridge is used for proof testing of 20mm weapons and barrels during manufacture and repair.

**Description:**

**BALL Cartridge.** The cartridge is a solid steel projectile, under cut behind the ogive to control projectile weight, for developing high chamber pressure. The cartridge is identified by a stannic-stained (silvered) cartridge case.

**Tabulated Data:**

DODAC ..... 1305-A892  
 UNO serial number ..... 0339  
 UNO proper shipping name ..... Cartridges for weapons, inert projectiles  
 Weight ..... 4392 gr  
 Length..... 6.615 in. (168 mm)  
 Tracer..... NA  
 Primer..... Electric, M52A3B1

Fuze ..... NA  
 Explosive:  
   Type ..... NA  
   Weight ..... NA  
 Incendiary:  
   Type ..... NA  
   Weight..... NA  
 Propellant:  
   Type ..... WC 870 or WC 872  
   Weight ..... MBR

**Performance:**

Chamber pressure..... 62,500 to 72,500 psi (copper)  
 Velocity ..... NA

**Shipping and Storage Data:**

Explosive hazard class..... 1  
 Quantity-distance class/  
   SCG ..... 1.4C  
 Storage code ..... Class V  
 DOT shipping class ..... C  
 DOT designation ..... SMALL ARMS AMMUNITION  
 Drawing number ..... 7258858

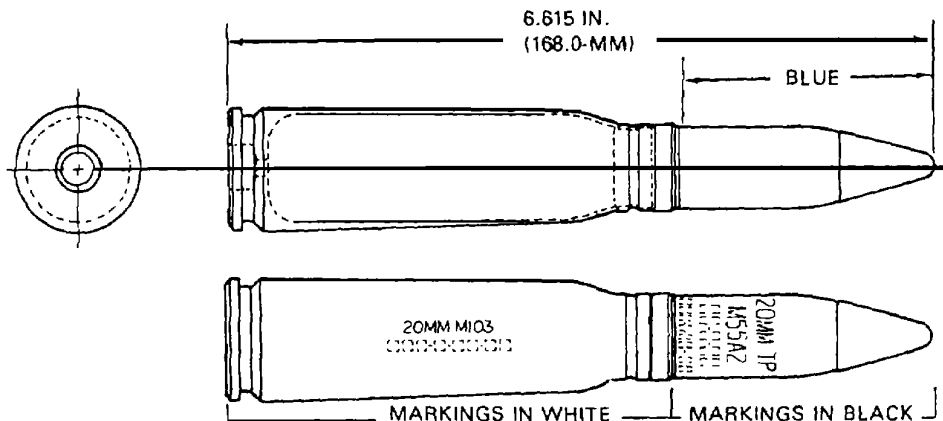
**References:**

SB 700-20  
 TM 9-1300-206



**THIS PAGE INTENTIONALLY LEFT BLANK**

**CARTRIDGE, 20MM, TARGET PRACTICE, M55A2**



U  
AR 5980

**Type Classification:**

STD - AMCTC 7741.

**Use:**

Guns, 20mm, M39, M61 and M68. The cartridge is a training round intended as a substitute for a service round to be used in target practice.

**Description:**

**TARGET PRACTICE Cartridge.** The one piece projectile cavity is hollow. The nose (ogive) made of aluminum or steel is swaged to the projectile body. The projectile is painted blue with markings in black. It consists of a solid projectile without a fuze.

**Function:**

The projectile is inert, therefore no specific function takes place upon impact except penetration of the target.

**Tabulated Data:**

DODAC..... 1305-A897  
 UNO serial number ..... 0339  
 UNO proper shipping name ..... Cartridges for weapons, inert projectiles  
 Weight ..... 3935 gr  
 Length..... 6.615 in. (168 mm)  
 Tracer ..... NA

Primer..... Electric, M52A3B1  
 Fuze..... NA  
 Explosive:  
   Type ..... NA  
   Weight..... NA  
 Incendiary:  
   Type ..... NA  
   Weight..... NA  
 Propellant:  
   Type ..... WC 870 or WC 872  
   Weight..... MBR (585 or 605 gr)

**Performance:**

Chamber pressure..... 60,500 psi  
 Velocity..... 3380 fps, 78 ft from muzzle

**Shipping and Storage Data:**

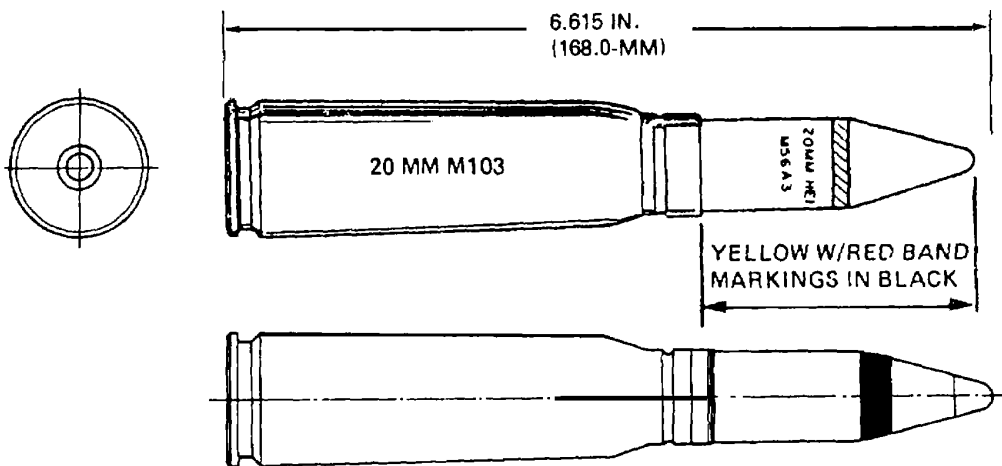
Quantity-distance class/  
   SCG..... 1.4C  
 Storage code..... Class V  
 DOT shipping class ..... C  
 DOT designation ..... SMALL ARMS AMMUNITION  
 Drawing number..... 7258817

**References:**

SB 700-20  
 TM 9-1005-286-10  
 TM 9-1300-206

**THIS PAGE INTENTIONALLY LEFT BLANK**

**CARTRIDGE, 20MM, HIGH EXPLOSIVE INCENDIARY, M56A3/M56A4**



U  
AR 5981

**Type Classification:**

M56A3: STD - LCC-B, MSR 03816015.  
M56A4: STD - LCC-A, MSR 03816015.

**Use:**

Guns, 20mm, M39, M61, M168 and M195. The cartridge is for use against ground targets, including lightly armored vehicles, functioning with both explosive and incendiary effect. The projectile consists of a high explosive incendiary (HEI) charge and is assembled with the M505A3 fuze.

**Description:**

**HIGH EXPLOSIVE INCENDIARY Cartridge.** The projectile is thin-walled steel. A base plate is attached to the projectile to prevent ignition of the incendiary mixture by the propellant gases. A point-detonating (PD) fuze is screwed into the nose of the projectile.

**Function:**

The M505A3 fuze is a point-detonating, single-action fuze intended to function upon impact with the target.

**Difference Between Models:**

The models differ in the method of loading the projectiles. The M56A3 has the HE mix and the incendiary mix combined in one pellet. The M56A4 has the incendiary pellet inserted into the projectile, then the HE mix pellet is added. This improves fire start capability.

**Tabulated Data:**

DODAC.....	1305-A890
UNO serial number .....	0321
UNO proper shipping name .....	Cartridges for weapons, with bursting charge
Weight .....	3965 gr
Length.....	6.615 in. (168 mm)
Tracer .....	NA
Primer.....	Electric, M52A3B1
Fuze.....	PD, M505A3
Explosive:	
Type .....	H761
Weight.....	165 gr
Incendiary:	
Type .....	I136
Weight.....	20 gr
Propellant:	
Type .....	WC 870 or WC 872
Weight.....	MBR (585 or 605 gr)

**Performance:**

Chamber pressure..... 60,500 psi  
Velocity..... 3380 fps, 78 ft from  
muzzle

**Shipping and Storage Data:**

Quantity-distance class/  
SCG..... 1.2E (04)  
Storage code..... Class V  
DOT shipping class ..... A

DOT designation ..... AMMUNITION  
FOR SMALL  
ARMS WITH  
EXPLOSIVE  
PROJECTILES  
Drawing number..... 7259023 (M56A3);  
11075861 (M56A4)

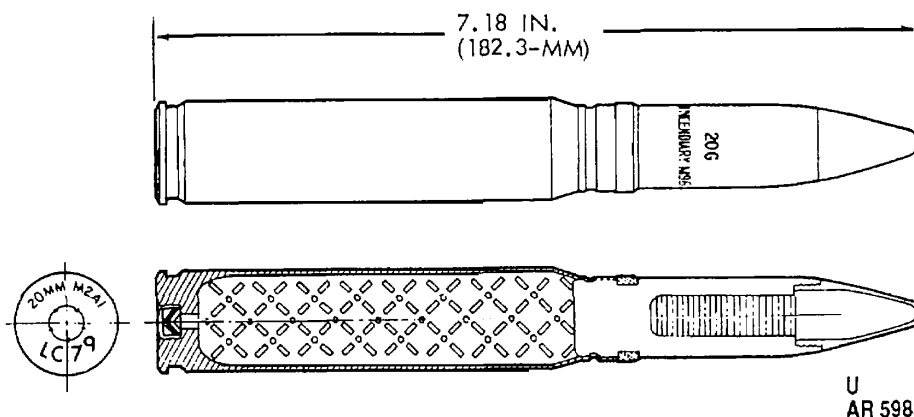
**References:**

DARCOM 700-3-2  
SB 700-20  
TM 9-1005-286-10  
TM 9-1300-206



**THIS PAGE INTENTIONALLY LEFT BLANK**

**CART'RIDGE, 20MM, INCENDIARY, M96**



**Type Classification:**

CON - OTCM 36841.

**Use:**

Guns, 20mm, M3 and M24A1.

**Description:**

INCENDIARY Cartridge. The body of the projectile is made from cold dracon steel. The projectile nose and body are filled with incendiary composition.

**Function:**

Impact with the target by the projectile produces compression of the heat and friction sensitive elements in the incendiary mixture causing ignition of the mixture.

**Tabulated Data:**

DODAC.....1305-A776  
 UNO serial number .....0009  
 UNO proper shipping  
 name .....Ammunition,  
 incendiary

Weight ..... 3850 gr  
 Length..... 7.18 in. (182.3 mm)  
 Tracer ..... NA  
 Primer..... Percussion  
 Fuze..... NA  
 Explosive:  
 Type ..... NA  
 Weight..... NA  
 Incendiary:  
 Type ..... I136  
 Weight..... 3.92 oz  
 Propellant:  
 Type ..... 75-1-178A  
 Weight..... 470 gr

**Performance:**

Chamber pressure..... 51,000 psi  
 Velocity..... 2680 fps, 78 ft from  
 muzzle

**Shipping and Storage Data:**

Quantity-distance class/  
 SCG..... 1.2G  
 Storage code..... Class V  
 DOT shipping class ..... A



DOT designation ..... AMMUNITION  
FOR SMALL  
ARMS WITH  
INCENDIARY  
PROJECTILES  
Drawing number ..... 75-1-178

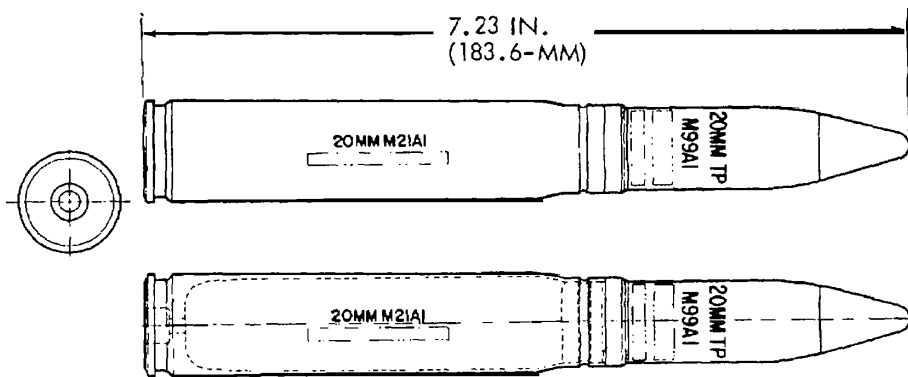
**References:**

SB 700-20  
TM 9-1300-206



**THIS PAGE INTENTIONALLY LEFT BLANK**

**CARTRIDGE, 20MM, TARGET PRACTICE, M99A1**



U  
AR 5985

**Type Classification:**

STD - OTCM 37403.

**Use:**

Gun, 20mm, M24A1. The cartridge is used for training, gun testing, and gull system function tests.

**Description:**

TARGET PRACTICE Cartridge. The cartridge contains a hollow, inert projectile which has a cavity to control the weight. The aluminum nose is swaged to the body.

**Function:**

The projectile is inert, therefore no specific function takes place except target penetration.

**Tabulated Data:**

DODAC..... 1305-A847  
 Weight ..... 4000 gr  
 Length..... 7.23 in. (183.6 mm)  
 Trace ..... NA  
 Primer..... Electric, M52A3B1  
 Fuze..... NA

**Explosive:**

Type ..... NA  
 Weight..... NA

**Incendiary:**

Type ..... NA  
 Weight..... NA

**Propellant:**

Type ..... IMR 7013 or  
 WC 875  
 Weight..... 500 gr

**Performance:**

Chamber pressure..... 51,000 psi  
 Velocity..... 2680 fps, 78 ft  
 from muzzle

**Shipping and Storage Data:**

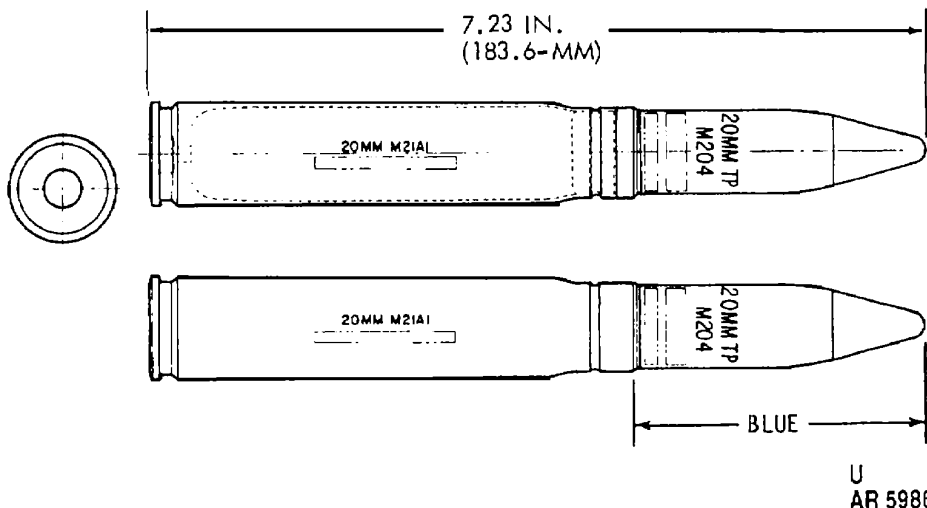
Quantity-distance class/  
 SCG..... 1.4C  
 Storage code..... Class V  
 DOT shipping class ..... C  
 DOT designation ..... SMALL ARMS  
 AMMUNITION  
 Drawing number..... 7258849

**References:**

SB 700-20  
 TM 9-1300-206

**THIS PAGE INTENTIONALLY LEFT BLANK**

**CARTRIDGE, 20MM, TARGET PRACTICE, M204**



**Type Classification:**

STD - AMCTC 4762.

**Use:**

Guns, 20mm, M3 and M24A1. The cartridge with inert projectile is used in training, gun testing, and gun system function testing.

**Description:**

TARGET PRACTICE Cartridge. The cartridge has a blue painted projectile. The body has a cavity to control the weight and the aluminum nose is swaged to the body.

**Function:**

No specific function takes place upon impact except target penetration.

**Tabulated Data:**

DODAC..... 1305-A777  
 UNO serial number ..... 0339  
 UNO proper shipping name ..... Cartridges for weapons, inert projectiles

Weight ..... 4000 gr  
 Length (max)..... 7.23 in. (183.6 mm)  
 Tracer ..... NA  
 Primer..... Percussion, M36A2  
 Fuze..... NA  
 Explosive:  
   Type ..... NA  
   Weight..... NA  
 Incendiary:  
   Type ..... NA  
   Weight..... NA  
 Propellant:  
   Type ..... WC 875 or  
   IMR 7013  
   Weight..... MBR

**Performance:**

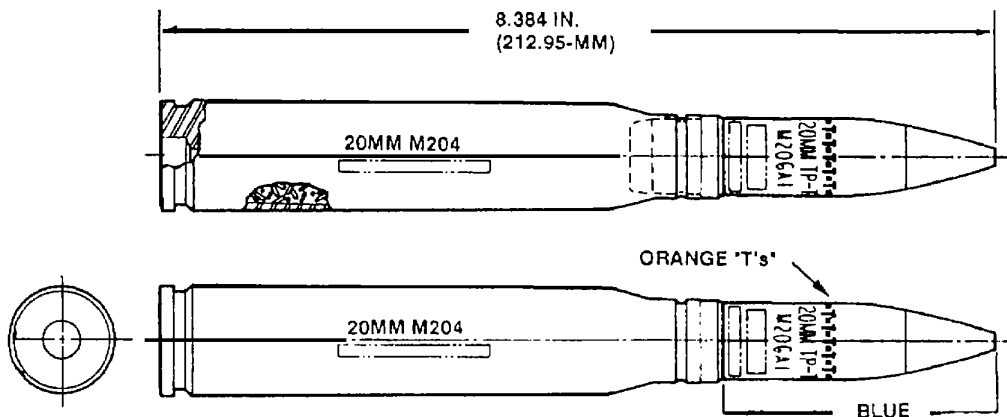
Chamber pressure (max)..... 51,000 (copper)  
 Velocity..... 2680 fps, 78 ft from muzzle

**Shipping and Storage Data:**

Quantity-distance class/  
 SCG..... 1.4C  
 Storage ..... Class V



**CARTRIDGE, 20MM, TARGET PRACTICE -TRACER, M206A1**



U  
AR 5987

**Type Classification:**

STD - AMCTC 4762.

**Use:**

Gun, 20mm, Automatic, M139. The cartridge is used in training and operation of gun systems with tracer characteristics for visual sighting to target.

**Description:**

TARGET PRACTICE-TRACER Cartridge. The cartridge has a blue painted projectile body with a row of orange "T's" at the front of the projectile body.

**Tabulated Data:**

DODAC..... 1305-A790  
 UNO serial number ..... 0339  
 UNO proper shipping name ..... Cartridges for weapons, inert projectiles  
 Weight ..... 4886 gr  
 Length..... 8.384 in. (212.95 mm)  
 Tracer ..... R284  
 Primer..... Percussion, MI15  
 Fuze..... NA

**Explosive:**

Type ..... NA  
 Weight..... NA

**Incendiary:**

Type ..... NA  
 Weight..... NA

**Propellant:**

Type ..... CR 8325  
 Weight..... MBR (585-605 gr)

**Performance:**

Chamber pressure (max)..... 54,000 (copper)  
 Velocity ..... 3430 fps, 78 ft from muzzle

**Shipping and Storage Data:**

Quantity-distance class/  
 SCG..... 1.4C  
 Storage code..... Class V  
 DOT shipping class ..... C  
 DOT designation ..... SMALL ARMS AMMUNITION  
 Drawing number..... 10542655

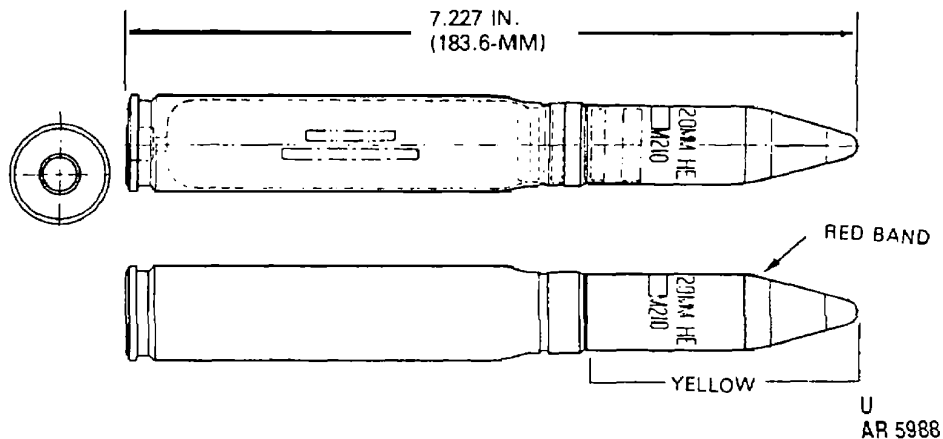
**References:**

SB 700-20  
 TM 9-1300-206



**THIS PAGE INTENTIONALLY LEFT BLANK**

**CARTRIDGE, 20MM, HIGH EXPLOSIVE INCENDIARY, M210**



**Type Classification:**

STD - AMCTC 5433.

**Use:**

Guns, 20mm, M3 and M24A1. The projectile is effective against aircraft and other targets that are not heavily armored.

**Description:**

HIGH EXPLOSIVE INCENDIARY Cartridge. The cartridge has a yellow painted projectile body with a red band, approximately 1/4 inch wide, at forward end. The projectile has a steel body with a cavity filled with RDX and aluminum and a point-detonating (PD) bore-safe fuze.

**Function:**

The projectile fuze arms in flight. Upon impact, the fuze detonates the projectile causing fragmentation of the body with an incendiary effect.

**Tabulated Data:**

DODAC..... 1305-A863  
 UNO serial number ..... 0009  
 UNO proper shipping  
 name ..... Ammunition,  
 incendiary

Weight (approx) ..... 4000 gr  
 Length (max)..... 7.227 in.  
 (183.6 mm)  
 Tracer ..... NA  
 Primer ..... Percussion, M36A2  
 Fuze..... PD, M505A3  
 Explosive:  
 Type ..... H761  
 Weight..... 120 gr  
 Incendiary:  
 Type ..... NA  
 Weight..... NA  
 Propellant:  
 Type ..... WC 875 or  
 IMR 7013  
 Weight..... MBR

**Performance:**

Chamber pressure (max)..... 51,000 psi (copper)  
 Velocity ..... 2680 ± 50 fps, 78 ft  
 from muzzle

**Shipping and Storage Data:**

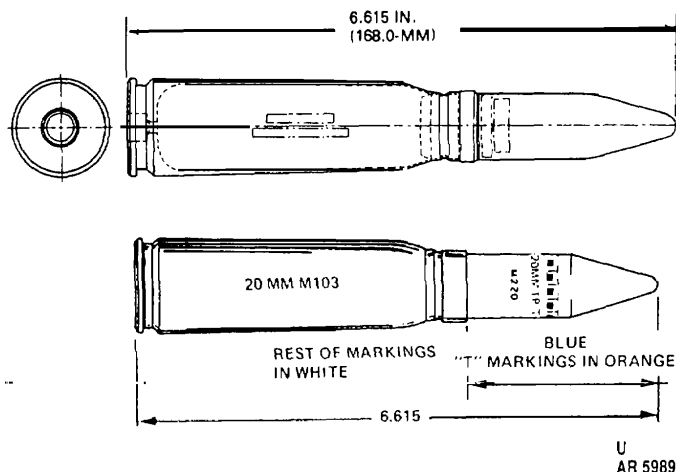
Quantity-distance class/  
 SCG..... 1.2E (0.4)  
 Storage code..... Class V  
 DOT shipping class ..... A

DOT designation ..... AMMUNITION  
FOR SMALL  
ARMS WITH  
EXPLOSIVE  
PROJECTILES  
Drawing number ..... 7259105

**References:**

SB 700-20  
TM 9-1300-206

**CARTRIDGE, 20MM, TARGET PRACTICE-TRACER, M220**



**Type Classification:**

STD - AMCTC 7404.

**Use:**

Guns, 20mm, M39, M61 and M168. The cartridge is for practice and training.

**Description:**

TARGET PRACTICE-TRACER Cartridge. The cartridge is ballistically and physically identical to the M55A2 cartridge except that a tracer element has been added to the base of the projectile. The projectile is painted blue with orange colored markings.

**Function:**

The projectile is similar to the M56A3 projectile, but has no high explosive incendiary charge and is assembled with a dummy fuze. The projectile does contain a tracer composition which burns visibly for a minimum of 1.9 seconds.

**Tabulated Data:**

DODAC..... 1305-A651  
 UNO serial number ..... 0339  
 UNO proper shipping name..... Cartridges for weapons, inert projectiles  
 Weight ..... 3935 gr  
 Length..... 6.615 in. (168 mm)

Tracer ..... R505 or R403  
 Primer ..... Electric  
 Fuze..... NA  
 Explosive:  
   Type ..... NA  
   Weight ..... NA  
 Incendiary:  
   Type ..... NA  
   Weight ..... NA  
 Propellant:  
   Type ..... WC 870 or WC 872  
   Weight ..... MBR (585-605 gr)

**Performance:**

Chamber pressure..... 61,500 psi  
 Velocity ..... 3380 fps, 78 ft from muzzle

**Shipping and Storage Data:**

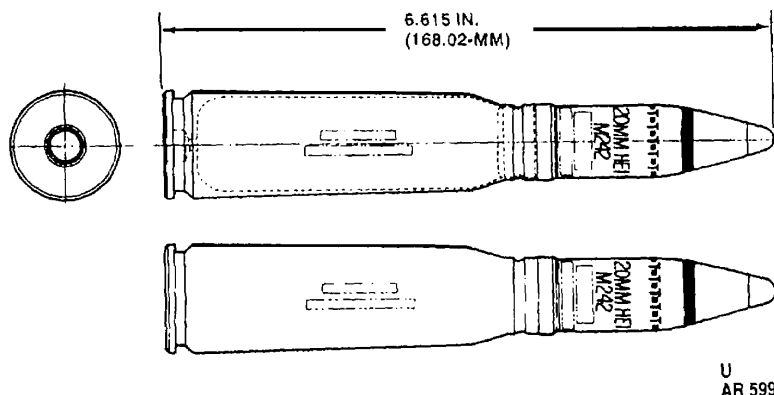
Quantity-distance class/  
   SCG..... 1.4C  
 Storage code..... Class V  
 DOT shipping class ..... A  
 DOT designation ..... SMALL ARMS AMMUNITION  
 Drawing number ..... 7259146

**References:**

SB 700-20  
 TM 9-1005-286-10  
 TM 9-1300-206

**THIS PAGE INTENTIONALLY LEFT BLANK**

**CARTRIDGE, 20MM, HIGH EXPLOSIVE INCENDIARY-TRACER, M242/M242A1**



**Type Classification:**

M242: STD - AMCTC 6445.  
 M242A1: No Army requirement.

**Use:**

Guns, 20mm, M39 and M61.

**Description:**

HIGH EXPLOSIVE INCENDIARY-TRACER  
 Cartridge. The cartridge has the same basic structure as the M56A3 cartridge with the addition of a tracer element.

**Function:**

The projectile has the same function as the M56A3 high explosive incendiary (HEI) cartridge projectile. The tracer is ignited by the propellant when the round is fired.

**Difference Between Models:**

The models differ in the method of loading the projectiles. The M242 has the HE mix and the incendiary mix combined in one pellet with the tracer mix added at the base of the projectile. The M242A1 projectile has the incendiary loaded as a separate pellet and the HE mix is also loaded as a separate pellet, then the tracer pellet is added. This improves fire start capability.

**Tabulated Data:**

DODAC.....	1305-A659
UNO serial number .....	0321
UNO proper shipping name .....	Cartridges for weapons, with bursting charge
Weight .....	3865 gr
Length.....	6.615 in. (168.02 mm)
Tracer .....	R505
Primer.....	Electric, M52A3B1
Fuze.....	PD, M505A3
Explosive:	
Type .....	H7G1
Weight.....	1455 gr
Incendiary:	
Type .....	I136
Weight.....	20 gr
Propellant:	
Type .....	WC 870 or WC 872
Weight.....	MBR (585 or 605 gr)

**Performance:**

Chamber pressure.....	60,500 psi
Velocity .....	3380 fps, 78 ft from muzzle

**Shipping and Storage Data:**

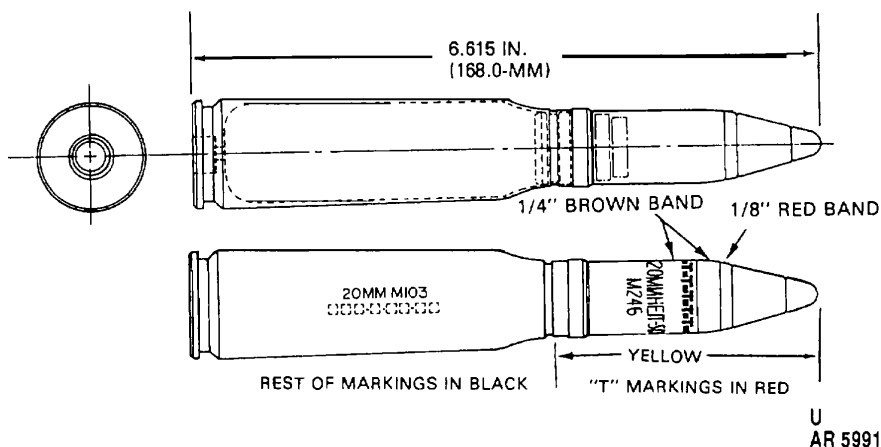
Quantity-distance class/ SCG.....	1.2E (0.4)
Storage code.....	Class V
DOT shipping class .....	A

DOT designation ..... SMALL ARMS  
AMMUNITION  
WITH  
EXPLOSIVE  
PROJECTILES  
Drawing number ..... 7259268 (M242);  
9341740 (M242A1)

**References:**

SB 700-20  
TM 9-1300-206

**CARTRIDGE, 20MM, HIGH EXPOSIVE INCENDIARY-TRACER, SELF-DESTROYING, M246/M246A1**



**Type Classification:**

M246: STD - LCC-B MSR 03816015.  
 M246A1: STD - LCC-A MSR 03816015.

**Use:**

Gun, 20mm, M168. The cartridge is for use against aerial targets.

**Description:**

HIGH EXPOSIVE INCENDIARY-TRACER, SELF-DESTROYING Cartridge.

**Function:**

The cartridge is assembled with an M505A3 point-detonating (PD) fuze. The projectile, in addition to the M505A3 fuze, consists of a high explosive incendiary (HEI) charge, self-destroying (SD) relay charge, and a tracer charge. These charges form the SD chain. The tracer burns for about 3 to 7 seconds, whereupon the relay charge is ignited which detonates the HEI charge low order. If impact with target occurs prior to self-destruction, the M505A3 fuze causes the HEI charge to detonate high order.

**Difference Between Models:**

The basic difference between the models is in the loading of the projectiles. In the M246 projectile, the

incendiary mix and the HE mix are combined in one pellet. In the M246A1 projectile, the incendiary is loaded as a separate pellet. The HE mix is also loaded as a separate pellet along with the SD relay charge pellet and the tracer charge pellet. This improves fire start capability.

**Tabulated Data:**

DODAC:	
M246 .....	1305-A791
M246A1 .....	1305-A792
UNO serial number .....	0321
UNO proper shipping name .....	Cartridges for weapons, with bursting charge
Weight .....	4070 gr
Length .....	6.615 in. (168 mm)
Tracer .....	R505
Primer .....	Electric, M52A3B1
Fuze .....	PD, M505A3
Explosive:	
Type .....	H761
Weight .....	115 gr
Incendiary:	
Type .....	NA
Weight .....	NA
Propellant:	
Type .....	WC 870
Weight .....	MBR (585-605 gr)



**Performance:**

Chamber pressure..... 60,500 psi  
Velocity..... 3380 fps, 50 ft  
from muzzle

**Shipping and Storage Data:**

Quantity-distance class/  
SCG..... 1.2E (0.4)  
Storage code..... Class V  
DOT shipping class ..... A

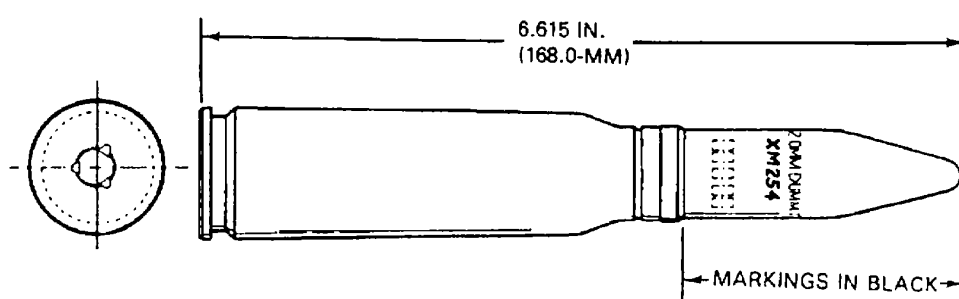
DOT designation ..... AMMUNITION  
FOR SMALL  
EXPLOSIVE  
PROJECTILES

Drawing number:  
M246 ..... 10542384  
M246A1 ..... 9333764

**References:**

SB 700-20  
TM 9-1005-286-10  
TM 9-1300-206

**CARTRIDGE, DUMMY, 20MM, XM254**



U  
AR 5992

**Type Classification:**

Not applicable.

**Use:**

Guns, 20mm, M39, M61, M139, M168, M195 and XM197. The cartridge is for training of crews. The plastic material, instead of steel, reduces wear on gull components and fire mechanisms.

**Description:**

DUMMY Cartridge. The cartridge is of plastic construction.

**Tabulated Data:**

DODAC..... 1305-A895  
 Weight ..... 3850 gr  
 Length..... 6.615 in. (168 mm)  
 Tracer ..... NA  
 Primer..... NA  
 Fuze..... NA  
 Explosive:  
     Type ..... NA  
     Weight..... NA

**Incendiary:**

Type ..... NA  
 Weight ..... NA

**Propellant:**

Type ..... NA  
 Weight ..... NA

**Performance:**

Chamber pressure..... NA  
 Velocity..... NA

**Shipping and Storage Data:**

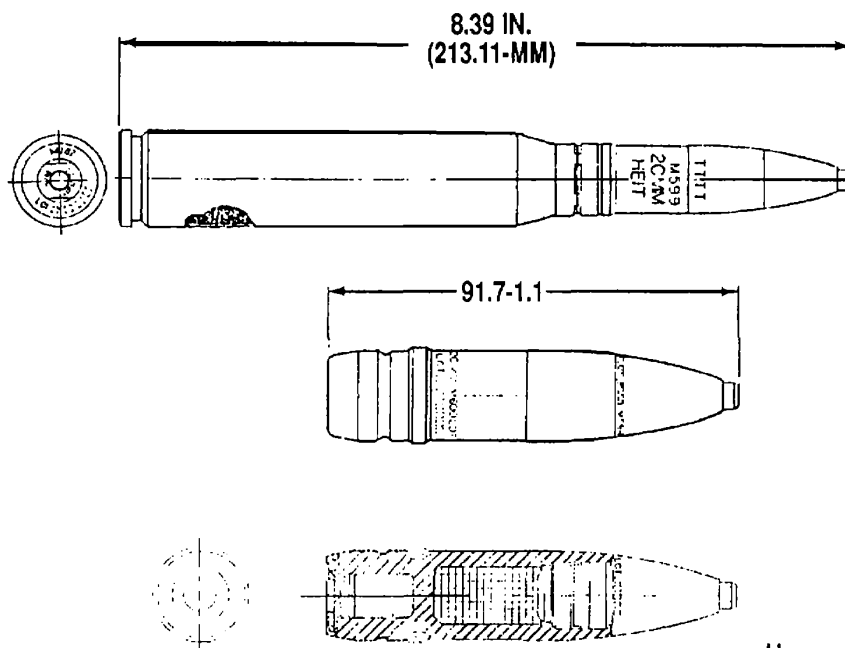
Quantity-distance class/  
 SCG..... NA  
 Storage code..... NA  
 DOT shipping class ..... NA  
 DOT designation ..... NA  
 Drawing number ..... 7259254

**References:**

SB 700-20  
 TM 9-1005-246-24  
 TM 9-1005-286-10  
 TM 9-1300-206

**THIS PAGE INTENTIONALLY LEFT BLANK**

**CARTRIDGE, 20MM, HIGH EXPLOSIVE INCENDIARY-TRACER,  
M599 FUZE POINT-DETONATING SELF-DESTROYING M594**



U  
AR 5993

**Type Classification:**

STD - AMCTC 6391.

**Use:**

Gun, M139.

**Description:**

HIGH EXPLOSIVE INCENDIARY-TRACER  
Cartridge. The cartridge has a point-detonating (PD) self-destroying (SD) fuze M594. The projectile is a hollow body filled with 120 grams of high explosive incendiary (HEI) mixture with a tracer tablet at the base and the PD SD fuze screwed onto the nose.

**Function:**

When fired, the weapon firing pin initiates the primer which ignites the propelling charge. Gases produced by the burning propellant propel the projectile. The projectile shall function with high order detonation upon impact or, if the projectile does not impact on intended

target within 4 to 7 seconds, a SD mechanism will cause high order detonation of the projectile.

**Tabulated Data:**

DODAC.....	1305-A787
UNO serial number .....	0321
UNO proper shipping name .....	Cartridges for weapons, with bursting charge
Type.....	HEI-T
Weight (approx) .....	317 g
Length.....	8.39 in. (213.11 mm)
Projectile (steel):	
Tracer .....	Tablet, 1.17 g
Explosive (HEI mix) .....	120 g
Fuze.....	PD SD, M594, aluminum
Color .....	Yellow with red "T" band, black markings
Cartridge case.....	Steel, M187
Propellant.....	VTL-1375-502-52 g
Primer percussion .....	M103

**Performance:**

Chamber pressure..... 49,500 psi  
 Velocity..... 3460 fps, 78 ft  
 from muzzle

**Shipping and Storage Data:**

Quantity-distance class/  
 SCG..... 1.2E  
 Storage code..... Class IV  
 DOT shipping class ..... A  
 DOT designation ..... SMALL ARMS  
 AMMUNITION  
 WITH  
 EXPLOSIVE  
 PROJECTILE

M528 shipping and storage container:

Material..... Steel  
 Dimensions..... 14-9/16 x 9-39/64 x  
 4-5/16 in.  
 Cube..... 0.35 cu ft  
 Drawing number C/R..... 10535815

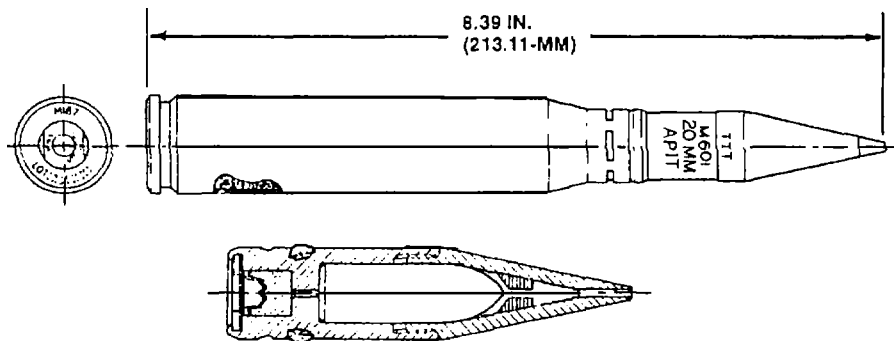
**Packing:**

25 cartridges, 20mm linked with M601 armor  
 piercing incendiary-tracer, cartridges in ratio with 3  
 M599 to 2 M601 in shipping and storage containers  
 M528. Two shipping and storage containers (50  
 cartridges) in a wire-bound box.

**References:**

DARCOM 700-3-2  
 TM 9-1300-206

**CARTRIDGE, 20MM, ARMOR PIERCING INCENDIARY-TRACER, M601**



U  
AR 5994

**Type Classification:**

STD - AMCTC 4762.

**Use:**

Gun, M139.

**Description:**

ARMOR PIERCING INCENDIARY-TRACER  
Cartridge. The tungsten-carbide core is the main part of the projectile, and is the penetrator. The ballistic cap (ogive) contains an incendiary pellet. A tracer tablet is at the base of the projectile. The projectile body is painted black with white markings and with red painted "T's" encircle the ogive (signifying tracer).

**Function:**

When fired, the weapon firing pin initiates the primer which ignites the propelling charge. Gases produced by the burning propellant propel the projectile. Upon impact with the target, the nose (ogive) ruptures and the incendiary composition ignites on exposure to the air.

**Tabulated Data:**

Complete round:	
UNO serial number .....	0009
UNO proper shipping name .....	Ammunition, incendiary
DODAC.....	1305-A786
Type.....	API-T
Weight.....	310 g
Length.....	8.39 in. (213.112 mm)
Cannon used with.....	M139
Projectile (111 g):	
Penetrator (core) .....	Tungsten-carbide
Body .....	Aluminum alloy, 22.5 g
Windshield .....	Aluminum, 9.4 g
Incendiary .....	XM71 pellet, 0.45 g
Tracer .....	Tablet, 1.17 g
Fuze.....	NA
Color .....	Black with white marking with "T" red bound
Cartridge case.....	Steel, M187
Propellant (VTL 1375-502):	
Weight (approx) .....	53 g
Primer (percussion).....	M103

**Performance:**

Chamber pressure..... 49,500 psi  
Velocity..... 3610 fps, 78 ft  
from muzzle

**Shipping and Storage Data:**

Quantity-distance class/  
SCG..... 1,4G  
Storage code..... Class IV  
DOT shipping class..... A  
DOT designation..... SMALL ARMS  
AMMUNITION  
WITH  
INCENDIARY  
PROJECTILE

M528 shipping and storage container:

Material..... Steel  
Dimensions..... 14-9/16 x 9-39/64 x  
4-5/16 in.  
Cube..... 0.35 cu ft  
Drawing number C/R..... 10535805

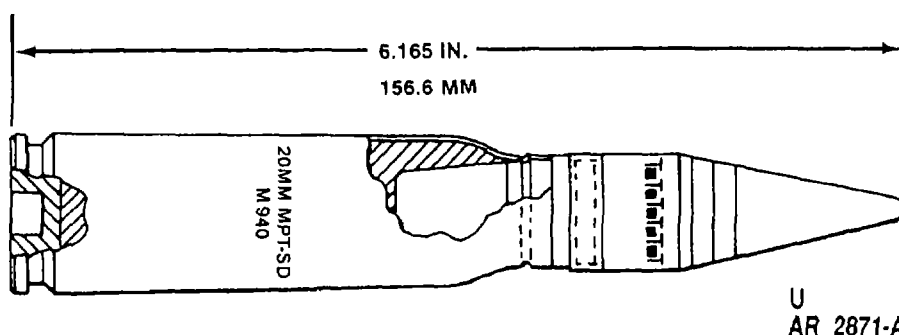
**Packing:**

25 cartridges, 20mm linked with M599 high explosive incendiary-tracer cartridges in a ratio of 3 M599 to 2 M601 in shipping and storage container M528. Two containers in a wrap-around crate.

**References:**

DARCOM 700-3-2  
TM 9-1300-206

**CARTRIDGE, 20MM, MULTIPURPOSE TRACE SELF-DESTROYING, M940**



**Type Classification:**

TC STD A - Approved March 13, 1989.

**Use:**

The existing Vulcan Air Defense System (VADS) and Product Improved Vulcan Air Defense System (PIVADS) M246 ammunition is incapable of providing defense against the modern enemy threat at combat ranges greater than 1,600 meters because of inherent performance limitations including poor flight characteristics, self-destructing ranges, and terminal effectiveness. Therefore, the Army decided to pursue acquiring a new round of ammunition for VADS/PIVADS which would exhibit better exterior ballistics and greater lethality than the existing M246 High Explosive Incendiary Tracer Self-Destroying (HEI-T-SD) ammunition.

**Description:**

MULTIPURPOSE TRACE SELF-DESTROYING Cartridge. The cartridge is an improved fuzeless pyrotechnic initiated 20mm HE cartridge. The projectile consists of a heavy walled steel body charged with explosive mix and an incendiary mix, and an aluminum nose charged with another incendiary mix. The projectile also has safe and arming (S&A), tracer, and self-destructing which is initiated by heat from combustion of the tracer composition. The lack of fuze permits an enhanced aerodynamic ogive shape which results in a reduction in drag factor and reduced time of flight, thereby extending the effectiveness of the VADS from 1,200 meters to 2,000 meters against aircraft targets. The M940 will replace the 20mm M246 HEI-T-

SD as the primary air defense cartridge for the VADS and any of its improved versions.

**Function:**

The projectile consists of a steel body charged with a HE mix, Composition A-4 (MILC-440), and an incendiary mix, Type I (equivalent I-68). The projectile has an aluminum nose charged with Type II incendiary (equivalent I-136). The hardened forebody of the projectile provides for defeat of lightweight armor (3/8 RHA at well over 500 m). The incendiaries provide a built-in delay when initiated on the thin skin of an aircraft, and the projectile explodes approximately 1 foot behind the skin. The M94 cartridge, therefore, is primarily intended for air defense but has a secondary roll against light armored vehicles. The M940 contains a chemical S&A intended to reduce the probability of functioning on a 0.04 aluminum plate at 1 meter from the muzzle. When initiated, all projectile fragments go forward.

**Tabulated Data:**

Complete round:

UNO serial number .....	0321
UNO proper shipping name .....	Cartridges for weapons, with bursting charge
DODAC .....	1305-A710
Type .....	MPT-SD
Weight .....	264 g
Length (max) .....	6.165 in. (156.6 mm)
Cannon used with .....	M168

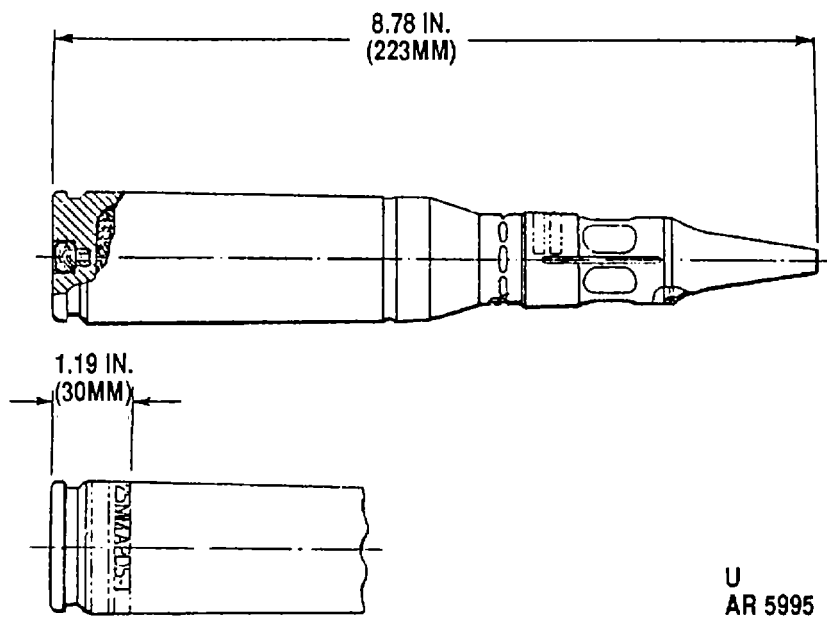




**CHAPTER 15**  
**25MM CARTRIDGES**

**THIS PAGE INTENTIONALLY LEFT BLANK**

**CARTRIDGE, 25MM, ARMOR PIERCING DISCARDING SABOT-TRACER, M791**



**Type Classification:**

STD - MSR 12796010.

**Use:**

Automatic cannon, 25mm, M242.

**Description:**

ARMOR PIERCING DISCARDING SABOT-TRACER Cartridge. The cartridge is a fixed type, percussion primed 25mm ammunition, intended as the armor piercing service round to successfully engage lightly armored vehicles. The cartridge consists of a sabot encapsulated projectile body, crimped to a steel cartridge case containing 98 grams of extruded propellant, M115 percussion primer and booster pellet. The projectile body consists of a solid tungsten alloy penetrator, pressed on aluminum windshield, pressed-in tracer pellets, molded discarding-type nylon sabot, staked aluminum base and pressed-on polyethylene nose cap.

**Function:**

When fired, the weapon firing pin initiates the primer which ignites the propelling charge. Gases produced by the burning propellant propel the projectile from the cannon and ignite the tracer. Setback, centrifugal and air pressure forces cause the sabot to discard upon leaving the gun tube. The penetrator (core) is spin stabilized and penetrates the target solely by kinetic energy.

**Tabulated Data:**

Complete round:	
DODAC .....	1305-A974
UNO serial number .....	0339
UNO proper shipping name .....	Cartridges for weapons, inert projectile
Type .....	APDS-T
Weight .....	458 ± 15 g
Length .....	8.78 in. (223 mm)
Cannon used with .....	M242
Projectile:	
Penetrator (core) .....	Tungsten-alloy
Sabot .....	Nylon, aluminum base
Nose cap .....	Polyethylene
Tracer .....	NA
Explosive .....	NA
Fuze .....	NA
Color .....	Black with white markings
Cartridge case .....	C1030 steel
Propellant:	
Type .....	Radford AP225
Weight .....	0.221 lb
Primer percussion .....	M115

**Performance:**

Chamber pressure .....	56,000 psi
Range .....	15,000 m
Muzzle velocity .....	1330 mps, 4370 fps

**Shipping and Storage Data:**

Quantity-distance class/  
SCG ..... 1.4C  
Storage code ..... Class IV  
DOT shipping class ..... A  
DOT designation ..... AMMUNITION  
FOR CANNON  
WITH SOLID  
PROJECTILE

M621 shipping and storage:  
Material..... Polypropelene  
plastic  
Weight (tactically  
packed) ..... 47.7 lb  
Weight (empty) ..... 7.94 lb

Dimensions ..... 13.8 x 13.8 x 5.5 in.  
Drawing number C/R..... 12013533

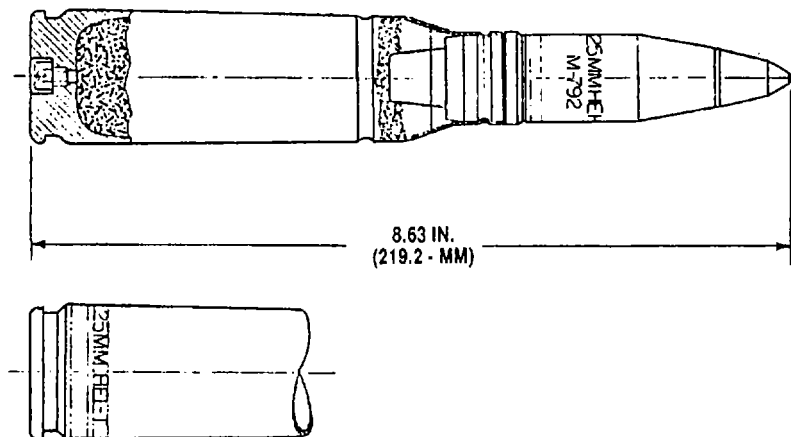
**Packing:**

Tactical packing unit 30 linked cartridge in two 15-round belts packed nose-to-nose with two plastic separators in plastic shipping and storage container M621.

**References:**

DARCOM 700-3-2  
TM 9-1300-206

**CARTRIDGE, 25MM, HIGH EXPLOSIVE INCENDIARY-TRACER, M792  
WITH FUZE POINT-DETONATING SELF-DESTROYING M758**



U  
AR 5998

**Type Classification:**

STD - MSR 12796010.

**Use:**

Automatic cannon, 25mm, M242.

**Description:**

HIGH EXPLOSIVE INCENDIARY-TRACER  
Cartridge. The cartridge is a fixed type, percussion primed 25mm munition, intended as the high explosive service round to successfully engage unarmored ground targets. The cartridge consists of a high explosive incendiary (HEI) filled, one piece projectile body that is crimped to a steel cartridge case containing 90 grams of ball propellant, M115 percussion primer and booster pellet. The projectile body consists of a hollow C1045 steel body, screwed on M758 fuze, swaged iron rotating band, 32 grams of H761 HEI mix and pressed-in tracer pellets. Projectile length, including tracer boom, varies by manufacturer from 3.94 to 4.66 inches.

**Function:**

When fired, the primer is mechanically initiated by the weapon firing pin. The primer output ignites the booster pellet which, in turn, ignites the propellant charge. The projectile is launched at a velocity of 1100 meters per second, achieving a maximum effective

range of 3000 meters. Upon impact, the fuze functions and the HEI filler detonates dispersing the incendiary mixture. The self-destroying requirement is 6.2 seconds per minute and prior to impact.

**Tabulated Data:**

Complete round:	
DODAC .....	1305-A975
UNO serial number .....	0321
UNO proper shipping name .....	Cartridges for weapons, with bursting charge
Type .....	HEI-T
Weight .....	1.11 lb
Length .....	8.63 in. (219.2 mm)
Projectile:	
Body .....	Steel, C1045
Tracer .....	Pellet
Explosive (HEI mix) .....	4761, 32 g
Fuze .....	PD SD, M758
Color.....	Yellow with red band and black markings
Cartridge case .....	Steel, C1030
Propellant:	
Type .....	WC 890
Weight.....	90 g
Primer percussion .....	M115

**Performance:**

Range ..... 3000 m  
Muzzle velocity ..... 1100 mps, 3610 fps  
Self-destruct ..... 6.2 mps

**Shipping and Storage Data:**

Quantity-distance class/  
SCG ..... 1.2E  
Storage code ..... Class IV  
DOT shipping class ..... A  
DOT designation ..... AMMUNITION  
FOR CANNON  
WITH  
EXPLOSIVE  
PROJECTILE

M621 shipping and storage container:

Material..... Polypropelene  
Weight (tactically  
packed) ..... 47.7 lb  
Weight (empty) ..... 7.94 lb  
Dimensions ..... 13.8 x 13.8 x 5.5 in.  
Drawing number..... 12013230

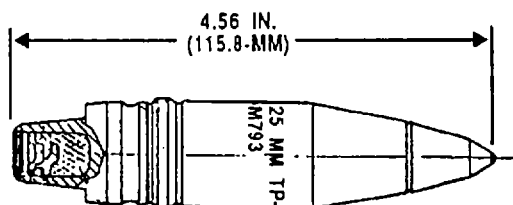
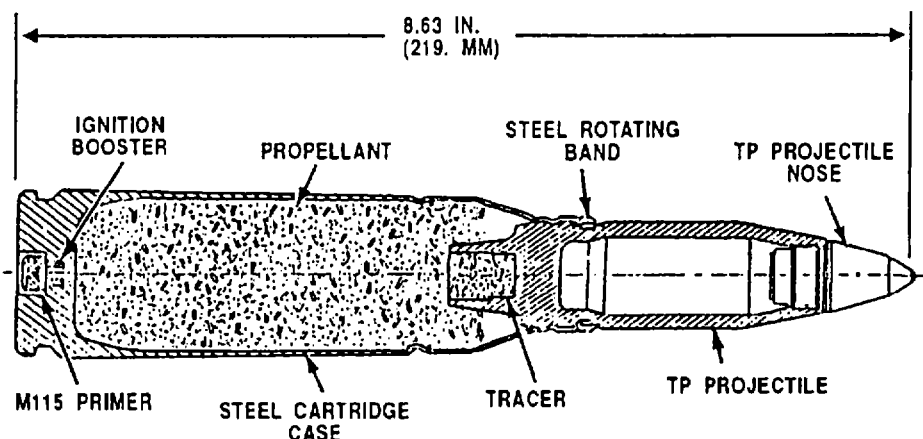
**Packing:**

Tactical packing unit 30 linked cartridge in two 15-  
round belts packed nose-to-nose with two plastic  
separators in plastic shipping and storage container  
M621.

**References:**

DARCOM 700-3-2  
TM 9-1300-206

**CARTRIDGE, 25MM, TARGET PRACTICE-TRACER, M793**



**U  
AR 5999**

**Type Classification:**

STD - MSR 12796010.

**Use:**

Automatic cannon, 25mm, M242.

**Description:**

TARGET PRACTICE-TRACER Cartridge. The cartridge is a fixed type, percussion primed 25mm munition, intended as a substitute for the high explosive incendiary with tracer service round for target practice in training, gun testing, and gun system functioning. The cartridge consists of a hollow, two piece projectile body that is crimped to a steel cartridge case containing 90 grams of ball propellant, M115 percussion primer and booster pellet. The projectile body consists of a hollow C1035 steel body screw-on steel nose piece, swaged iron rotating even band and pressed-in tracer pellets.

**Function:**

The cartridge functions the same as the M792, except upon impact the projectile is inert.

**Tabulated Data:**

Complete round:	
DODAC .....	1305-A976
UNO serial number .....	0339
UNO proper shipping name .....	Cartridges for weapons, inert projectile
Type .....	TP-T
Weight .....	1.11 lb
Length .....	8.63 in. (219 mm)
Projectile:	
Body .....	Steel, C1035/12/14
Tracer .....	Pellet
Explosive .....	NA
Fuze .....	NA
Color .....	Blue with white markings
Cartridge case .....	C1030
Propellant:	
Type .....	WC 890
Weight .....	0.3 lb
Primer percussion .....	M115



**Performance:**

Range ..... 6000 m, 196858E  
Muzzle velocity ..... 3609 fps, 78 ft from  
muzzle

**Shipping and Storage Data:**

Quantity-distance class/  
SCG ..... 1.4C  
Storage code ..... 11 B  
DOT shipping class ..... Class B  
DOT designation ..... AMMUNITION  
FOR CANNON

WITH EMPTY  
PROJECTILE

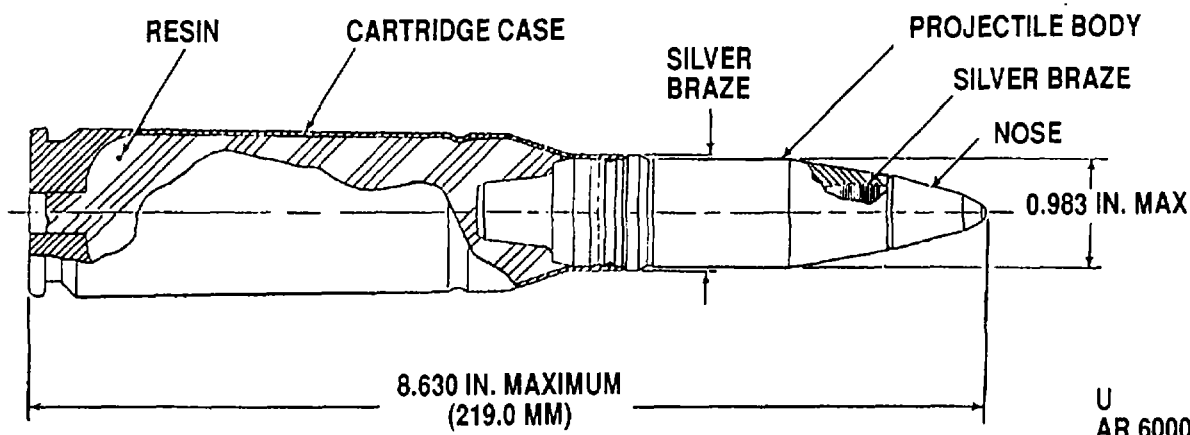
**Packing:**

Tactical packing unit 30 linked cartridge in two 15-  
round belts packed nose-to-nose with two plastic  
separators in plastic shipping and storage container  
M621.

**References:**

DARCOM 700-3-2  
TM 9-1300-206

**CARTRIDGE, 25MM, DUMMY, M794**



**Type Classification:**

STD - DA Letter December 1981.

**Use:**

Automatic cannon, 25mm, M242. The cartridge is used for non-firing system checkout for the 25mm automatic cannon M242 and training of the crew.

**Description:**

**DUMMY** Cartridge. The cartridge is a modified M793 target practice with tracer (TP-T) projectile silver brazed to a modified standard cartridge case and is completely inert. The cartridge case cavity is filled through an enlarged primer hole with an epoxy resin filler to approximate the weight of the M792 high explosive incendiary-tracer and M793 TP-T service cartridges. The threaded nose of the TP-T projectile is silver brazed to the projectile body to improve physical integrity. The external configuration of the M794 metal dummy cartridge (by use of standard components) is the same as that of the M792 HEI-T and M793 TP-T service cartridges.

**Tabulated Data:**

Complete round:  
 DODAC ..... 1305-A967  
 Type ..... Dummy, inert  
 Weight (w/o link) ..... 1.11 lb  
 Length ..... 8.63 in. (219 mm)  
 Projectile:

Body ..... Steel, C1035  
 Tracer ..... NA  
 Explosive ..... NA  
 Fuze ..... NA  
 Color ..... Silver braze  
 Cartridge case ..... Steel, C1030  
 Propellant:  
 Filler ..... Epoxy resin  
 (polyurethane)  
 Primer ..... NA

**Performance:**

Chamber pressure ..... NA  
 Velocity ..... NA

**Shipping and Storage Data:**

Quantity-distance class/  
 SCG ..... NA  
 Storage code ..... NA  
 DOT shipping class ..... NA  
 DOT designation ..... NONEXPLOSIVE  
 AMMUNITION  
 M621 shipping and storage container:  
 Material ..... Polypropelene  
 plastic  
 Length (max) ..... 14.3 in.  
 Width (max) ..... 13.8 in.  
 Height (max) ..... 5.7 in.  
 Packaged weight (30  
 linked rounds) ..... 47.7 lb

Wooden box:

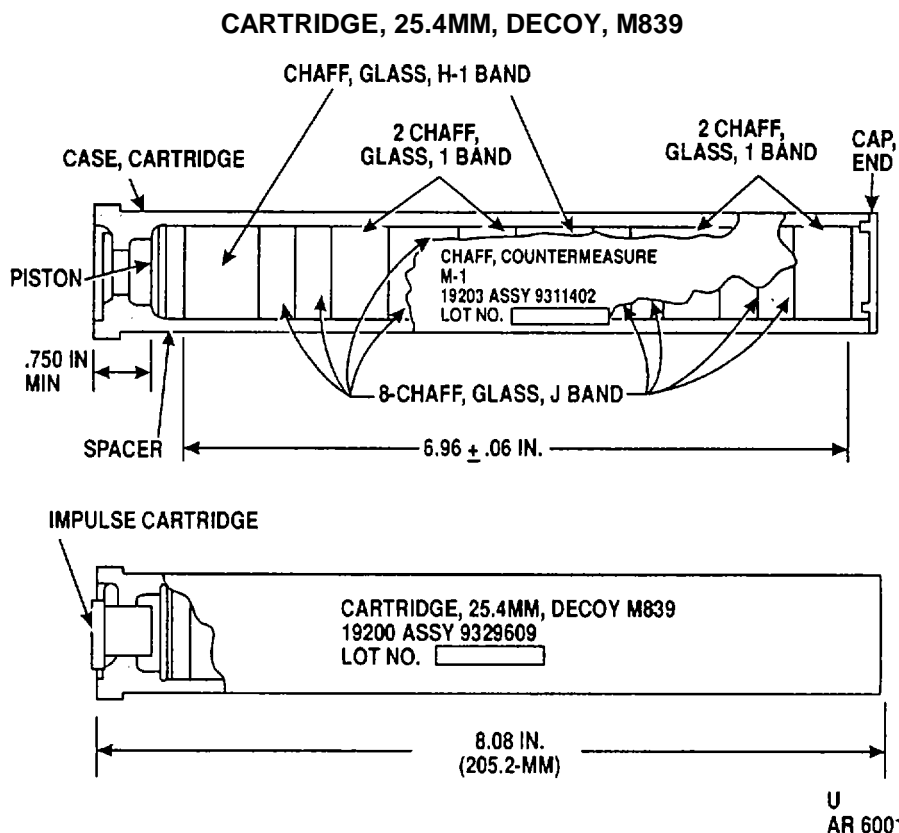
Length ..... 32.5 in.  
Width ..... 11.5 in.  
Height ..... 12 in.  
Weight:  
    Packed (40 rounds  
        with link) ..... 85.3 lb  
    Packed (80 rounds  
        without link) ..... 119 lb  
Drawing number ..... 12013880

**Packing:**

Packing consists of 30 linked cartridges in two 15-round belts in M621 plastic shipping and storage containers, or Packing consists of 50 linked cartridges in a wooden shipping and storage container, or Packing consists of 80 tubed cartridges in a wooden shipping and storage container.

**References:**

DARCOM 700-3-2



**Type Classification:**

STD - MSR 02816005.

**Use:**

The cartridge is a decoy to provide an effective survival counter-measure for Army aircraft against radar controlled weapon systems.

**Description:**

DECOY Cartridge. The cartridge is ammunition item consisting of a plastic outer case nominally 1-inch wide x 1-inch high x 8-inches long, a payload made up of approximately 390,000 strands of aluminum coated glass fibers. The payload is sectioned into several bundles of chaff dipoles. There are three different lengths of bundles in the payload. In addition, the item contains a plastic end cap, plastic piston, felt spacer, and impulse cartridge.

**Function:**

The cartridge is fired by electrical initiation of the impulse cartridge M796. The gases generated by the functioned impulse cartridge causes the piston to expel the chaff payload into the air where it blooms into a

radar reflecting cloud that breaks "Lock On" by radar-controlled weapon systems.

**Tabulated Data:**

Complete round:	
DODAC .....	1305-A965
UNO serial number .....	0454
UNO proper shipping name .....	Igniters
Type .....	Decoy
Weight .....	0.34 lb
Length .....	8.08 in. (205.2 mm)
Body .....	Plastic
Explosive .....	NA
Fuze .....	NA
Color .....	Unpainted
Drawing number .....	9329609
Specification number .....	MIL-C-63338(AR)
Payload:	
Chaff .....	Aluminum coated glass rods
Weight .....	0.26 lb
Expelling charge:	
Type .....	Hercules bulls eye smokeless powder
Weight .....	0.013 oz
Impulse cartridge .....	M796

**Shipping and Storage Data:**

Quantity-distance class/  
SCG ..... 1.4S  
DOT shipping class ..... C  
DOT designation ..... ELECTRIC  
SQUIB, CLASS C  
EXPLOSIVE,  
HANDLE  
CAREFULLY

Packing box:  
Weight ..... 67 lb  
Dimensions ..... 14.25 x 13.27 x  
12.8 in.

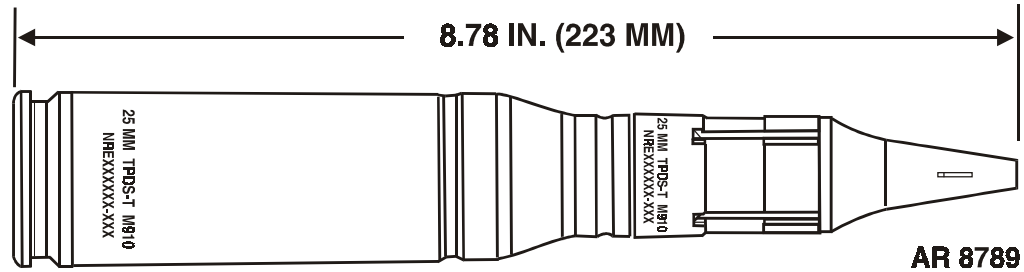
**Packing:**

Two PA19 metal containers containing 50 decoy cartridges each (width-size) in wood box.

**References:**

TM 9-1300-206

**CARTRIDGE, 25MM, TARGET PRACTICE DISCARDING SABOT-TARGET, M910**



**Type Classification:**

Standard.

**Use:**

Automatic cannon, 25mm, M242.

**Description:**

The M910 25mm cartridge is a fixed type, percussion-primed round of ammunition approximately 8 3/4 inches in length and slightly less than a pound in weight. Two contractors currently manufacture the cartridge to a performance specification, Alliant Techsystems and Primex Technologies. Their components are similar but not identical. The projectile consists of a steel core and a windstorm. The Alliant windscreen takes the form of an aluminum nose pressed onto the core. The Primex windscreen is formed from steel sheet and snapped into an annular groove on the core. At the rear of the core is a cavity containing a consolidated trace. The complete projectile assembly includes a discardable aluminum pusher base, is encapsulated with a discarding nylon sabot, and has a polyethylene protective cap. A steel cartridge case is crimped to the projectile assembly. The cartridge case contains the percussion primer staked in place behind an ignition booster pellet. The Alliant cartridge case contains a single-base multiperforated cylindrical propellant, and the Primex case contains a double-base ball propellant.

**Function:**

The M910 cartridge is a training round which provides a shorter range when fired in place of a 25mm armor-piercing combat round. Its function is initiated when the primer is struck by the firing pin. The booster pellet is initiated from the primer and in turn initiates the propel-

lant. The burning propellant produces high-pressure gases which expel the projectile assembly from the case and through the weapon barrel, and also ignite the trace. Spin is produced by the engagement of the rotating band integral to the sabot with the rifling in the barrel. As the projectile leaves the barrel the spin and aerodynamic forces act to separate the sabot, base and protective cap from it. As the projectile continues towards the target the mass of the trace gases decreases base drag. This, coupled with the high initial velocity, allows the projectile to match the trajectory of the service round to a range of 2000 meters. Upon tracer burnout the large area of the projectile compared to its weight causes it to lose velocity rapidly. The projectile eventually tumbles and falls.

**Tabulated Data:**

Complete round:	
DODAC -----	1305-A940
UN serial number -----	0328
UN proper shipping name-----	Cartridges for weapons, inert projectile
Type-----	TPDS-T
Weight -----	421 ± 15 g
Length -----	8.78 in. (223 mm)
Cannon used with -----	M242
Projectile:	
Core -----	Steel
Sabot -----	Nylon
Nose cap-----	Polyethylene
Tracer -----	Magnesium
Explosive-----	NA
Fuze -----	NA
Color -----	Blue with white markings
Cartridge case-----	Steel

Propellant:

Type----- Single Base  
 Weight----- 0.214 lb  
 Primer Percussion----- M115

Performance:

Chamber pressure----- 58,000 psi  
 Range----- 8000 m  
 Muzzle velocity----- 1520 mps, 4990  
 fps

**Shipping and Storage Data:**

DOD hazard class/SCG----- 1.2C  
 Storage class----- Class C explosive  
 DOT designation----- CARTRIDGES  
 FOR WEAP-  
 ONS, INERT  
 PROJECTILES  
 DOT label----- Explosive 1.2C  
 UN serial number----- 0328

PA125 shipping and storage container:

Material----- Steel  
 Weight (tactically packed)----- 53 lb  
 Weight (empty)----- 22 lb  
 Dimensions----- 13.8 x 13.8 x 5.5  
 in.

Drawing number  
 (for packing M910 in  
 PA125)----- 12929427

**Packing:**

Tactical packing unit 30 linked cartridges in two  
 15-round belts packed nose-to-nose with plastic separa-  
 tor in steel shipping and storage container PA125.

**References:**

AMCP 700-3-2  
 AR 385-64  
 DA PAM 385-64





Weight . . . . . 98 g  
Primer percussion. . . . . M115 Mod A  
Performance:  
Chamber pressure. . . . . 62,000 psi  
Effective range . . . . . Classified  
Range . . . . . 18,000 m  
Muzzle velocity . . . . . 1385 mps (4544 fps)

**Shipping and Storage Data:**

DOD hazard class/SCG . . . . . 1.2C (04)  
Storage compatibility group. . . . . CARTRIDGES FOR  
WEAPONS, INERT  
PROJECTILES  
DOT label. . . . . Explosive 1.2C  
UN serial number. . . . . 0328

PA125 shipping and storage container:  
Material . . . . . Steel  
Weight (tactically packed). . . . . 53 lb  
Weight (empty) . . . . . 22 lb  
Dimensions. . . . . 13.8 x 13.8 x 5.5 in.

**Packing:**

Drawing number . . . . . 12929427  
Container. . . . . PA125 w/plastic separator  
Configuration . . . . . 2 belts (30 ctg)/PA125

Tactical packing unit: 30 linked cartridges in two 15-round belts packed nose-to-nose with plastic separator in steel shipping and storage container PA125.

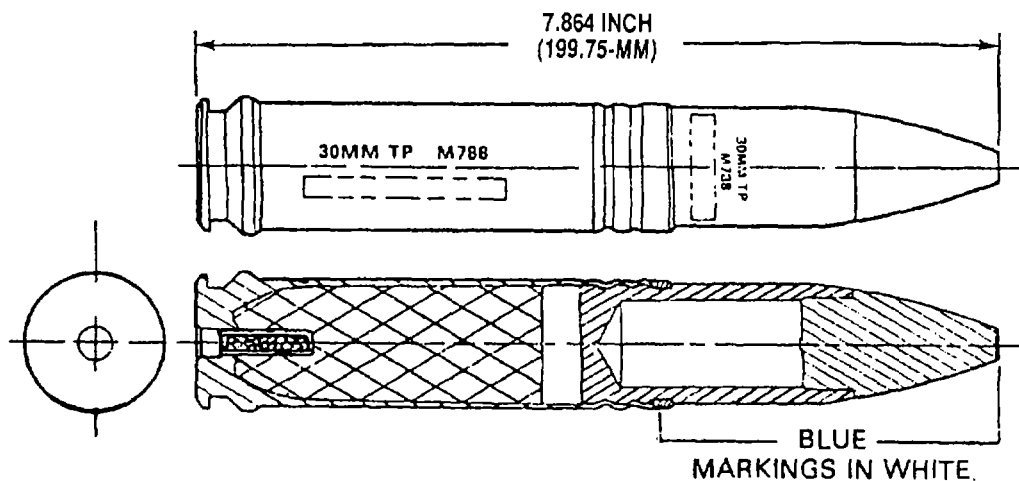
**References:**

AMCP 700-3-2  
AR 385-64  
DA PAM 385-64

**CHAPTER 16**  
**30MM CARTRIDGES**

**THIS PAGE INTENTIONALLY LEFT BLANK**

**CARTRIDGE, 30MM, TARGET PRACTICE, M788**



U  
AR 6002

**Type Classification:**

STD.

**Use:**

Automatic cannon, 30mm, XM230 (U.S.), ADEN MK IV (NATO), DEFA 552/553 (NATO). The cartridge is used in target practice.

**Description:**

TARGET PRACTICE Cartridge. The cartridge has a blue painted projectile with white markings. The inert/solid projectile is a three piece assembly consisting of steel body with cavity, rotating band, and aluminum nose piece. The cartridge case is aluminum.

**Function:**

The cartridge consists of an inert, solid projectile without a fuze. No function takes place except penetration of target.

**Tabulated Data:**

DODAC..... 1305-B118  
 UNO serial number ..... 0339  
 UNO proper shipping name ..... Cartridges for weapons, inert projectile  
 Weight ..... 5371 gr  
 Length ..... 7.864 in. (199.75 mm)

Tracer ..... NA  
 Primer ..... Electric, PA520  
 Fuze ..... NA  
 Explosive:  
     Type ..... NA  
     Weight ..... NA  
 Incendiary:  
     Type ..... NA  
     Weight ..... NA  
 Propellant:  
     Type ..... WC 855  
     Weight ..... MBR, 50 gr

**Performance:**

Chamber pressure (avg)..... 40,600 to 44,950 psi (280-310 MPa)  
 Velocity ..... 2640 fps (805 mps)

**Shipping and Storage Data:**

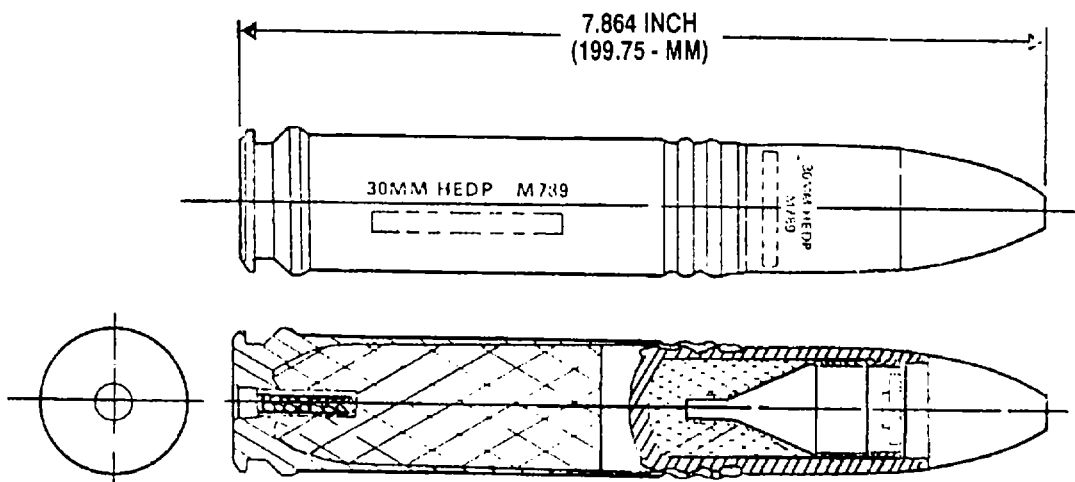
Quantity-distance class/  
     SCG ..... 1.4C  
 Storage code ..... Class V  
 DOT shipping class ..... B  
 DO' designation ..... AMMUNITION FOR CANNON WITH SOLID PROJECTILES  
 Drawing number ..... 28114038

**References:**

SB 700-20  
 TM 9-1300-206

**THIS PAGE INTENTIONALLY LEFT BLANK**

**CARTRIDGE, 30MM, HIGH EXPLOSIVE DUAL PURPOSE, M789**



U  
AR 6003

**Type Classification:**

STD.

**Use:**

Automatic cannon, 30mm, M230 (U.S.).

**Description:**

**HIGH EXPLOSIVE DUAL PURPOSE** Cartridge. The cartridge consists of a steel projectile body loaded with HMX explosive and spin compensated shaped charge liner, point detonating (PD) bore safe fuze and aluminum cartridge case.

**Purpose:**

The projectile fuze arms in flight. Upon impact, the fuze initiates the projectile explosive filler. Detonation of the filler charge collapses the shaped charge liner resulting in the formation of an armor-piercing jet. In addition, main charge detonation produces fragmentation of the projectile body resulting in antipersonnel effects in target vicinity.

**Tabulated Data:**

DODAC..... 1305-B129  
 UNO serial number ..... 0321  
 UNO proper shipping

name ..... Cartridges for weapons, with bursting charge  
 Weight ..... 5371 gr  
 Length ..... 7.864 in. (199.75 mm)  
 Tracer ..... NA  
 Primer..... Electric, PA520  
 Fuze ..... PD, M759  
 Explosive:  
   Type ..... PBXN-5  
   Weight..... 340 gr  
 Incendiary:  
   Type ..... NA  
   Weight..... NA  
 Propellant:  
   Type ..... WC 855  
   Weight..... MBR, 50 gr-

**Performance:**

Chamber pressure (avg)..... 40,000 to 44,950 psi (280-310 MPa)  
 Velocity ..... 2640 fps (805 mps)

**Shipping and Storage Data:**

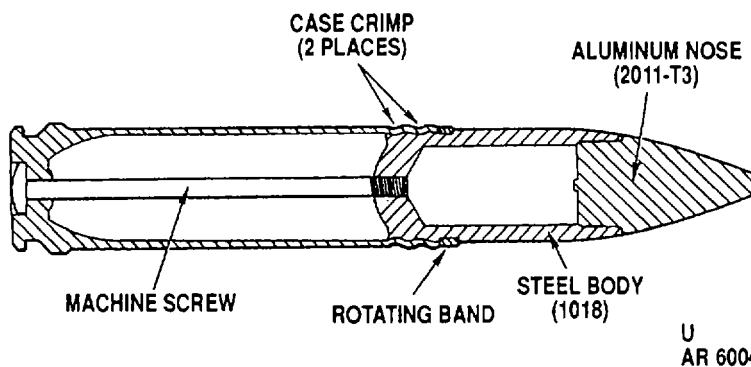
Quantity-distance class/  
   SCG ..... 1.2E (0.4)  
 Storage code ..... Class V  
 DOT shipping class ..... A

DOT designation ..... AMMUNITION  
FOR CANNON  
WITH SOLID  
PROJECTILES  
Drawing number ..... 28114062

**References:**

SB 700-20  
TM 9-1300-206

**CARTRIDGE, 30MM, DUMMY, M848**



**Type Classification:**

STD - LCC-A MSR 04826009.

**Use:**

Automatic cannon, 30mm, M230. The cartridge is used in drills of the weapon mechanism and to test link/delink functions.

**Description:**

DUMMY Cartridge. The cartridge is completely inert with modified target practice (TP) projectile and cartridge case. Primer and propellant are replaced with threaded steel bolt attached to the base of the projectile body to maintain same weight and balance as the TP cartridge. The projectile body is steel with an aluminum nose.

**Tabulated Data:**

DODAC..... 1305-B134  
 Weight ..... 5445 gr  
 Length ..... 199.75 mm  
 Tracer ..... NA  
 Primer ..... NA  
 Fuze ..... NA

Explosive:

Type ..... NA  
 Weight ..... NA  
 Incendiary:  
 Type ..... NA  
 Weight ..... NA  
 Propellant:  
 Type ..... NA  
 Weight ..... NA  
 Projectile:  
 Length ..... 104.28 mm  
 Case ..... Aluminum

**Performance:**

Chamber pressure ..... NA  
 Velocity ..... NA

**Shipping and Storage Data:**

Quantity-distance class/  
 SCG ..... NA  
 Storage code ..... NA  
 DOT shipping class ..... NA  
 DOT designation ..... NONEXPLOSIVE  
 AMMUNITION  
 Drawing number ..... 11825935

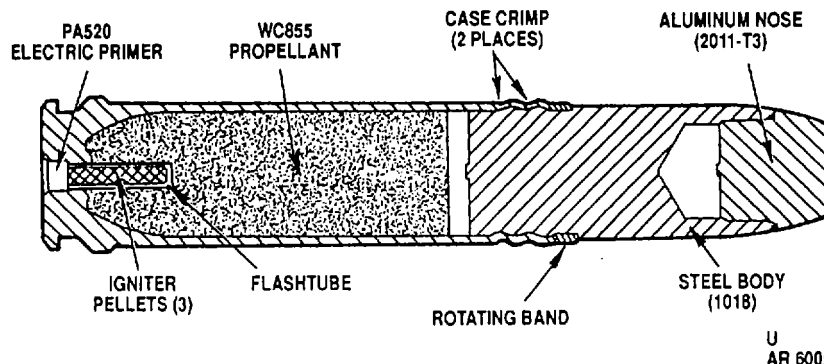
**References:**

DARCOM 700-3-2



**THIS PAGE INTENTIONALLY LEFT BLANK**

**CARTRIDGE, 30MM, TEST, M883**



**Type Classification:**

STD - LCC-A, MSR 06827003.

**Use:**

Automatic cannon, 30mm, M230. The cartridge is used in proof testing the weapon and barrel.

**Description:**

TEST Cartridge. The cartridge is a high pressure test round which provides 120 percent chamber pressure to proof test the weapon and barrel. Case, primer, and propellant are identical to the target practice round. Excess pressure is achieved through a heavier 1018 steel projectile. Ogive is blunt and cartridge case is silvered to distinguish from service rounds.

**Tabulated Data:**

DODAC..... 1305-B135  
 UNO serial number ..... 0321  
 UNO proper shipping name ..... Cartridges for weapons, with bursting charge  
 Weight ..... 6821 gr  
 Length ..... 174.35 mm  
 Tracer ..... NA  
 Primer ..... Electric, PA520  
 Fuze ..... NA

Explosive:  
 Type ..... NA  
 Weight ..... NA  
 Incendiary:  
 Type ..... NA  
 Weight ..... NA  
 Propellant:  
 Type ..... WC 855  
 Weight ..... 772 gr  
 Projectile:  
 Weight ..... 5031 gr  
 Length ..... 79.13 mm

**Performance:**

Chamber pressure ..... NA  
 Velocity ..... NA

**Shipping and Storage Data:**

Quantity-distance class/  
 SCG ..... 1.4C  
 Storage code ..... Class V  
 DOT shipping class ..... B  
 DOT designation ..... AMMUNITION FOR CANNON WITH SOLID PROJECTILES  
 Drawing number ..... 11895941

**References:**

DARCOM 700-3-2

**THIS PAGE INTENTIONALLY LEFT BLANK**

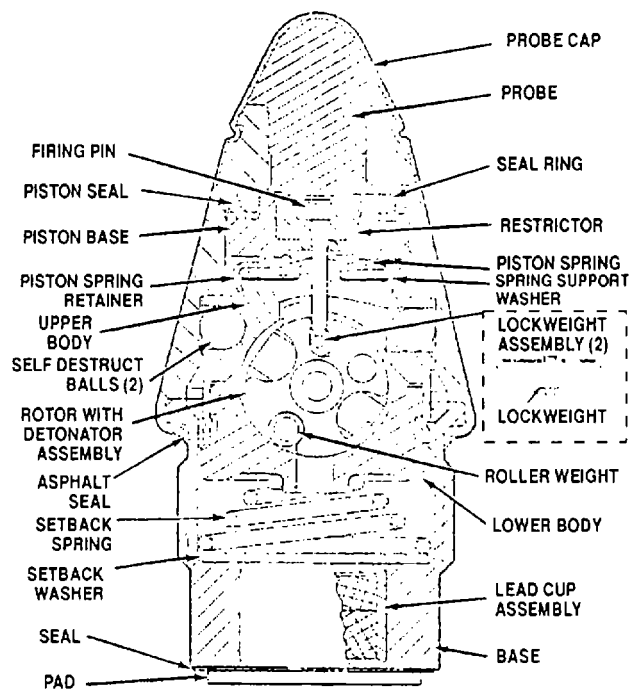
**CHAPTER 17**  
**POINT-DETONATING FUZES**

**THIS PAGE INTENTIONALLY LEFT BLANK**



**THIS PAGE INTENTIONALLY LEFT BLANK**

**FUZE, POINT-DETONATING, SELF-DESTROYING: M758**



assembly by the setback spring.

**Function:**

Starting from the safe condition, acceleration forces, associated with projectile launch, cause the body assembly and piston assembly located within the fuze ogive to be simultaneously set back to the rear of the fuze against the setback spring. Air originally in the bottom of the fuze is forced through ports into the chamber above the piston. The high spin forces, which occur almost simultaneously with the setback forces, serve three purposes. The spin effect causes two lockweights to move against their firing pin which keeps the motor in a safe position. Spin also causes two balls to move outward into groove located around the inner part of the ogive, locking the body assembly rearward against the compressed force of the setback spring. Spin also causes a rubber piston seal to flare out against the bore of the ogive, resulting in necessary piston scaling action. As the projectile leaves the muzzle, the acceleration force dissipates and the piston becomes free to move forward under forces exerted by the piston spring. The rate of piston movement forward is controlled by air being forced through a porous metal restrictor. This action provides the required arming delay time to meet the fuze no-arm and all-arm requirements. As the piston approaches the forward position, the firing pin is withdrawn from the

**Type Classification:**

STD - MSR 12796010.

**Use:**

The fuze is designed for use with the 25mm, high explosive incendiary with tracer, M792 cartridge, fired from the M242 cannon.

**Description:**

The point-detonating (PD), self-destroying (SD) M758 fuze is a delayed arming, PD SD type which also features graze impact sensitivity against hard and soft ground media as well as super-quick functioning upon target impact. The fuze consists of an ogive assembly crimped to a base assembly which houses a piston assembly, a piston spring, a body assembly, and a setback spring. The ogive assembly consists of a nylon probe within a steel ogive crimped to a steel probe cap while the base assembly consists of a lead charge within a steel base. the piston spring separates the piston assembly, consisting of an aluminum piston base, a piston seal, a seal ring, a steel restrictor, and a steel firing pill from the body assembly consisting of a nylon upper body, an aluminum lower body, a steel roller weight, a body, a zinc rotor; a detonator, two steel lockweights and lockweight springs which, in turn, separate from the base



rotor, allowing it to rotate to the armed position. Centrifugal force acting on the roller weight causes it to move into a groove and lock the rotor in the armed position. The fuze is fully armed when the detonator is in line with the fitting pin and lead assembly. The fuze functions under conditions of direct impact, graze impact or self destruct (non-impact). Direct impact with the target causes a super-quick function of the fuze due to the crushing action of the nose probe. The nose probe is driven into the piston assembly, moving it rapidly rearward. The firing pin, as part of the piston assembly, is thereby driven into the detonator and the explosive train is initiated. Function at low graze angles can occur in two ways. On soft targets where the projectile tends to enter the target, the nose probe is crushed driving the piston firing pin into the detonator. On low angle or graze impacts on hard targets, deceleration of the projectile and spin decay occurs.

Spin decay reduces the centrifugal forces acting on the self-destruct balls and inertial force acts on the body assembly due to projectile deceleration. This, coupled with the stored energy of the setback spring, overrides the force exerted by the self destruct balls and the body assembly is driven forward rapidly. The detonator contacts the firing pin and begins initiation of the explosive train. If no contact is made with a target, the fuze will cause the projectile to function by self-destruct action after a predetermined flight time. Projectile spin decay reduces the centrifugal force acting on the self-destruct balls. The stored energy in the setback spring overrides the holdback force of the balls and forces the body assembly forward to drive the detonator into the firing pin. Initiation of the explosive train occurs, and the projectile is detonated while still in flight.

**Tabulated Data:**

Fuze M758:  
 DODAC..... IBA

Length (max) ..... 1.417 in. (36 n1ni)  
 Weight (approx) ..... 0.041 lb (18.56 g)  
 Diameter (max)..... 0.661 in. (16.8 m1m)  
 Center of gravity (from  
 base) ..... 0.602 in. (15.3 3m1m)  
 Explosive components:  
 Detonator ..... RDX/Lead Axide/  
 NOL 130, 0.038 g  
 Lead charge ..... HMX, 0.285 g

**Packing:**

For shipping fuzes from the fuze manufacturer to the cartridge LAP facility, one packing unit consists of 1000 fuzes individually inserted into foam trays (200 fuzes per tray and five trays per packing unit) which are stacked with chipboard separators and then packed into inner and outer fiberboard boxes.

Length ..... 19 in. (482.6 1mm)  
 Width ..... 12.5 in. (317.5 mm)  
 Height ..... 10.1 in. (256.5 11m)  
 Weight (empty) ..... 11.5 l) (5.23 kg)  
 Weight (1000 fuzes)..... 52.6 lb (23.86 kg)

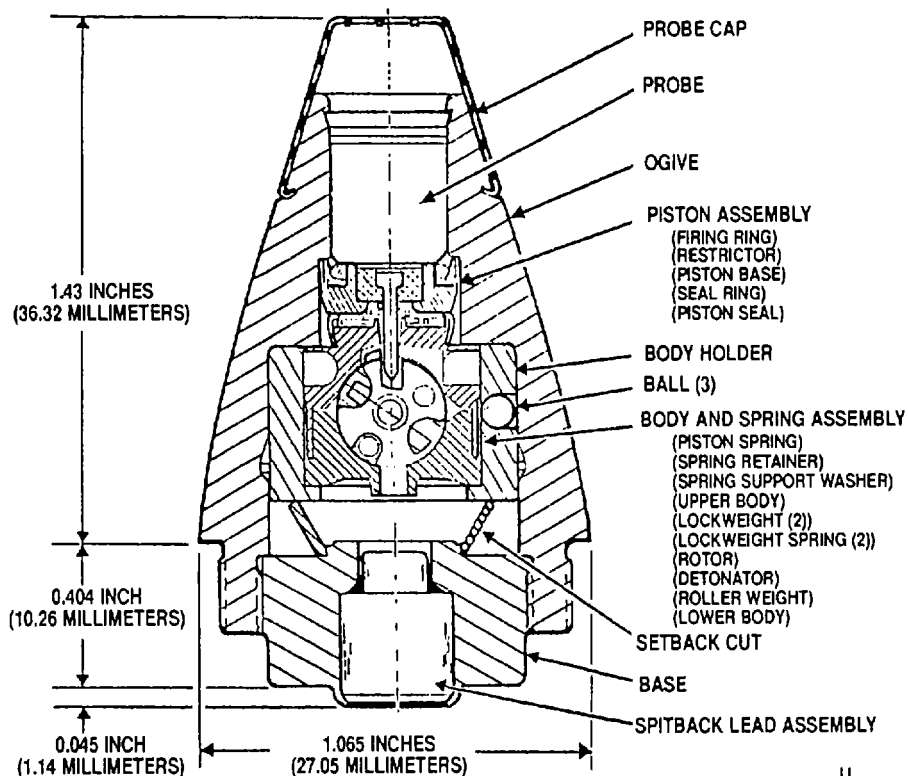
**Shipping and Storage Data:**

Quantity-distance class/  
 SCG ..... 1.1B  
 Storage code ..... Class VI  
 DOT shipping class ..... A  
 DOT designation ..... DETONATING  
 FUZES, CLASS A  
 EXPLOSIVES  
 DOCAC..... TBA  
 Drawing number ..... DS8861

**References:**

DARCOM 700-3-2  
 TM 9-1300-206

**FUZE, POINT-DETONATING: M759 (XM714E6)**



**Type Classification:**

STD

**Use:**

The fuze is designed for use with the 30mm high explosive dual purpose (HEDP) cartridges fired from the M230 automatic cannon.

**Description:**

Fuze M759 (formally designated as the XM714E6) is a point-detonating type with detonator and spitback charge. It is used with HEDP cartridge M789.

**Function:**

Prior to launch, the fuze detonator is housed in the rotor with the rotor locked in the safe position by the firing pin tip and two lockweights. On setback, the piston assembly (with firing pin) and body assembly (with detonator and rotor) are moved to the most rearward position by the firing pill tip and two lockweights. As the

fuzed projectile exits the gun muzzle, spin environment causes the lockweights to retract from the rotor and the two steel balls to engage the ogive groove, locking the body assembly in the position it had achieved at setback. In addition, spin causes the piston seal to flare and engage the ogive sidewalls which eliminates the air flow path between the ogive and piston. Movement of the piston assembly (firing pin) to the forward or armed position is delayed due to the regulated flow of trapped air through the restrictor until the projectile has traveled a minimum of 15 meters from the muzzle. After retraction to the firing pin from the rotor (last safety lock), the spin causes the rotor (with detonator) to rotate to the armed state, i.e., stab detonator aligned with firing pin and lead cup assembly. As the rotor achieves the armed position (150 in), the roller weight moves outboard from the rotor and engages the detent from the lower and upper bodies thus locking the rotor in armed state. Upon target impact, the probe nose piece is driven into the ogive forcing the piston assembly (firing pin) aft. The firing pin stabs the detonator and its explosive initiates the lead cup assembly explosive which, in turn, ignites the main charge.

**Tabulated Data:**

Type.....PD  
 Weight .....1.41 oz (40 g)  
 Length.....1.88 in. (47.72 mm)  
 Diameter .....1.06 in. (27.05 mm)  
 Material.....Aluminum  
 Non-arm range.....15 ii  
 All-arm range .....150 m  
 Explosive components:  
     Detonator.....NOL No. 130  
                     Priming Mix,  
                             0.0055 g  
     Lead Azide.....0.015 g  
     RDX Type B.....0.016 g

Spitback lead assembly:  
 PBXN, Type II, C1, 2  
     or 3.....0.25 g  
 PBXN-5, Type I, C1  
     or 3.....0.06 g

**Shipping and Storage Data:**

Quantity-distance class/  
     SCG.....1.IB  
 DOT shipping class .....A  
 DOT designation .....DETONATING  
                             FUZES, CLASS A  
                             EXPLOSIVE  
 Drawing number.....11834312

## CHAPTER 18

ACCESSORIES

---

**GENERAL**

a. Accessories. Accessories used with small arms ammunition, such as clips and metallic belt links, are described in this chapter. These items are listed and packed as indicated in SC 1305/30-IL and also listed in TM 9-1305-20120&P

b. Magazines for Pistols and Other Small Arms. Magazines for pistols and other small arms do not come preloaded from the ammunition supply point. The magazine for the submachine gun M3 and M3A1 holds

30 rounds of ammunition and this also is not preloaded.

c. Metallic Link Belts. Ammunition for use in machine guns is issued in metallic link belts. Link belts are made of units of cartridges and links. Each link has two loops fitted around a single cartridge and one loop fitted around an adjacent cartridge. Each cartridge in a metallic link belt has two links attached to it, except the end cartridges. Cartridge links are made of steel which is processed to prevent rusting. They are manufactured and tested to assure satisfactory ammunition feeding and functioning under all service conditions.

**THIS PAGE INTENTIONALLY LEFT BLANK**

**ACCESSORIES FOR CARTRIDGES, CALIBER .50**

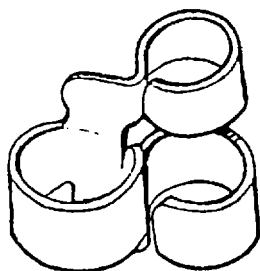
**Links, Closed Loop, M2 and M9:**

Caliber .50, M2 and M9 links (fig. 18-7) are manufactured with closed loops. When assembled with the cartridge in belts, the links fit on the cartridge shoulder. The tapered front loops of the links are positioned firmly on the cartridge shoulder to hold the cartridge in proper alignment for feeding into the

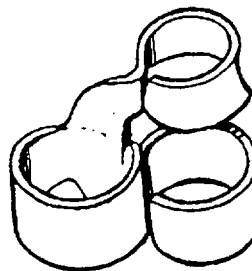
weapon. The design required the cartridge to be extracted from the rear and dropped into position for moving into the chamber for firing. Weapons designed for the links require additional space in the rear of the receiver for retraction. M2 and M9 links are used with the M2 machine gun.

Link, M2 (NSN 1305-00-096-3181(A640))

Link, M9 (NSN 1305-00-078-8463(A641))



CALIBER .50, M2



CALIBER .50, M9

CLOSED LOOP

U  
AR 6015

**Figure 18-7. Caliber .50, M2 and M9 links (closed loop).**

**Link, Open Loop, M15A2:**

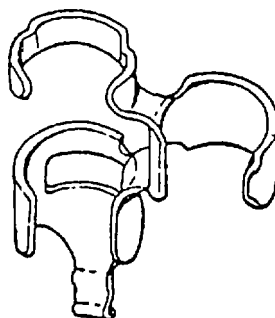
The caliber .50, M15A2 link (fig. 18-8) is manufactured with partially open loops and has a positioning finger on one side which snaps into the extractor grooves of the cartridge to retain the cartridge in proper feed alignment. The link design permits a portion of bolt to ride through link loop openings and

push the cartridges forward and out of the link into the chamber for firing. The M15A2 link is used with the M85 machine gun.

**References:**

SC 1305/30IL

TM 9-1305-201-20&P



CALIBER .50, M15A2

OPEN LOOP

U  
AR 6016

**Figure 18-8. Caliber .50, M15A2 link (open loop).**

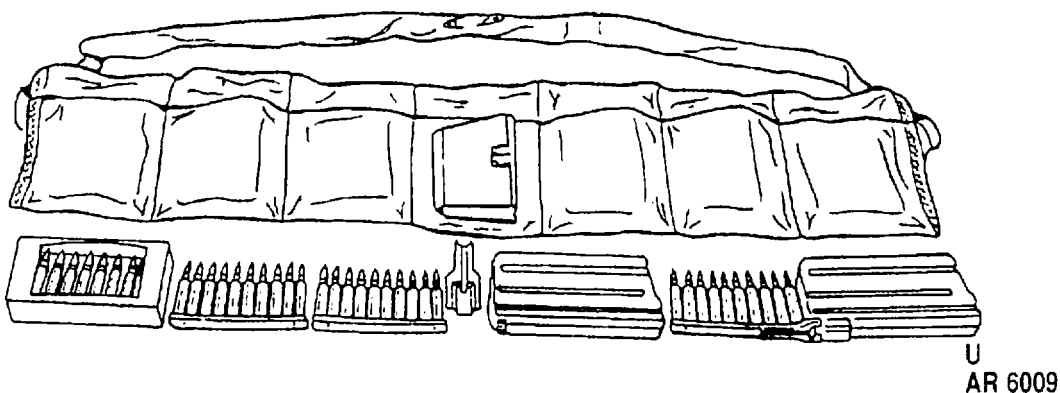
**THIS PAGE INTENTIONALLY LEFT BLANK**

**ACCESSORIES FOR CARTRIDGES, 5.56MM**

**Clips:**

Cartridges for the 5.56mm M16 rifle are assembled in 10-round clips. The clip (fig. 18-1) consists of a channel-shaped body containing a spring with narrow

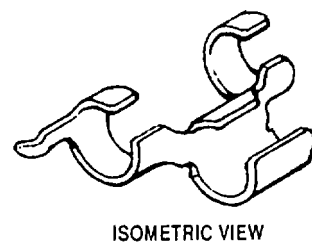
tabs at each end. After the clip is filled, the tabs are bent at right angles to the extractor rims of the end cartridges to hold them securely in the clip (NSN 1305-00-0524377).



**Figure 18-1. Cartridge clips and bandoleer for 5.56mm cartridges.**

**Link M27:**

The M27 link (fig. 18-2) is a reduced size of the 7.62mm link M13. The body link fits into the extractor groove on the cartridge case. The U.S. Navy, uses the link with the Stoner Machine Gun M63. The U.S. Army designated its use for the M249 Machine Gun. The link is used with M855 Ball Cartridges, M856 Tracer, and M200 Blank only.



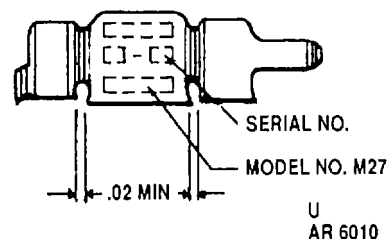
**Other Accessories:**

Fillet; Magazine.  
Bandoleer; M3 (NSN 1305-00-9)24-3088).

**References:**

SC 1305/30IL  
TM

9-1305-201-20&P



**Figure 18-2. M27 link for 5.56mm.**



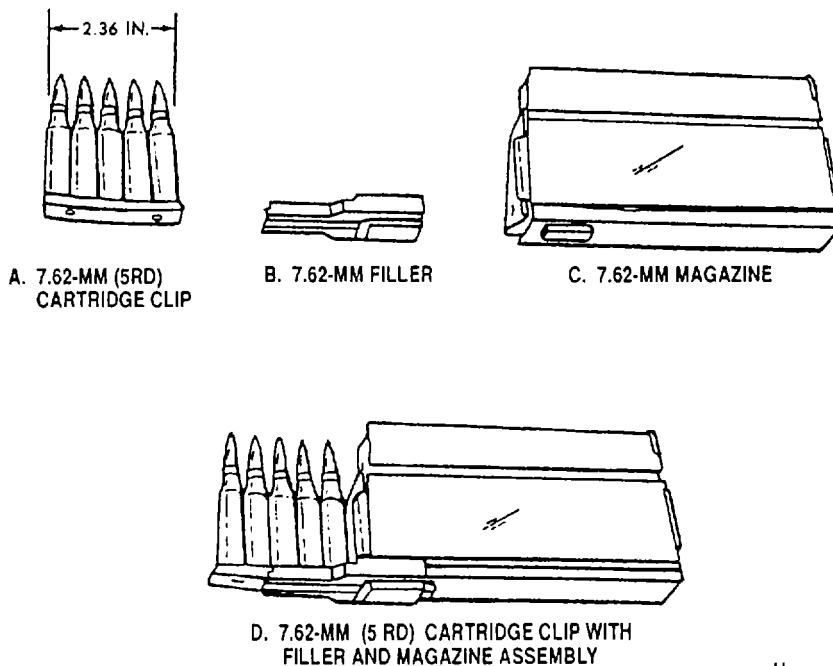
**THIS PAGE INTENTIONALLY LEFT BLANK**

**ACCESSORIES FOR CARTRIDGES, 7.62MM**

**Clips:**

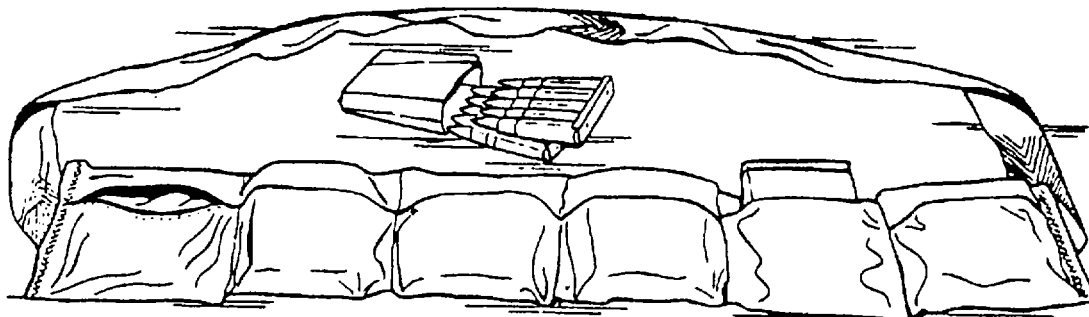
Cartridges for the 7.62mm M14 rifles are assembled in 5-round clips (fig. 18-3). All cartridges are packed in bandoleers with separate magazine fillers. The clip, which consists of a channel-shaped body containing a spring, facilitates loading of magazines. Loaded clips are fitted into the top of the rifle receiver and the

cartridges are pressed into the magazine assembly. A magazine fillet; which adapts clips to the magazine, allows individual magazines to be loaded with clipped ammunition. The clip is 2.36 inches long. The 7.62mm ammunition and clip are shown with the M2 bandoleer in figure 18-4 and with the M4 bandoleer in figure 18-5. The M4 bandoleer is for belted ammunition for machine guns (NSN 1305-00-914-7912).



U  
AR 6011

**Figure 18-3. Cartridge clip, filler, and magazine assembly for 7.62mm cartridges.**



U  
AR 6012

**Figure 18-4. M2 bandoleer for 7.62mm cartridges.**



Figure 18-5. M4 bandoleer for 7.62mm cartridges.

**Link M13:**

The 7.62mm M13 link (fig. 18-6) is manufactured with partially open loops and has a positioning finger on one side which snaps into the extractor grooves of cartridges to retain the cartridge in proper feed alignment. The link design permits a portion of the bolt to ride through the link opening and push cartridges forward and out of the link into the chamber for firing.

Weapons using this type link are designed and manufactured with a short receiver, i.e., M60, M73, M219, M240, and M134 machine guns (NSN 1305-00-752-7815).

**Other Accessories:**

Fillet; Magazine.  
 Bandoleer; M2 (NSN 1305-00-984-1125).  
 Bandoleer M4 (NSN 1305-00-079-3579).

**References:**

SC 1305/30IL  
 TM 9-1305-201-20&P

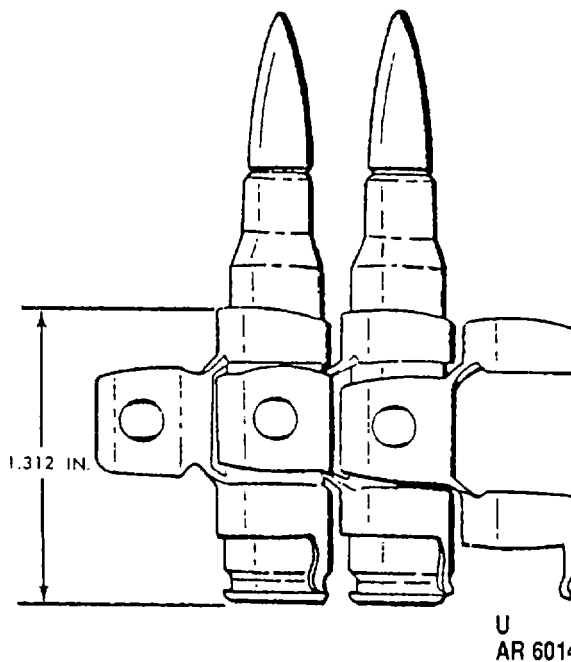


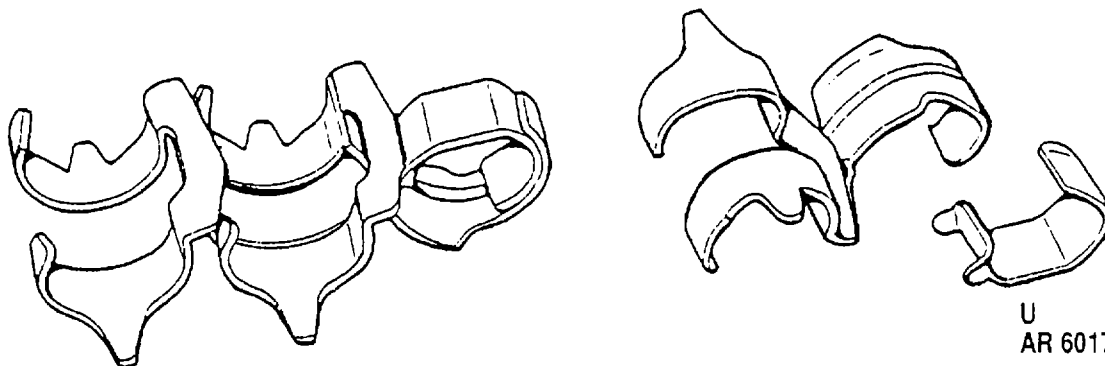
Figure 18-6. Cartridge M13 link for 7.62mm cartridges.

## ACCESSORIES FOR CARTRIDGES, 20MM

**Link M10:**

The M10 link (fig. 18-9) is utilized in the M3 and M24 belt-fed automatic guns. The link is of steel and the belt is formed by the placement of cartridges within the links. The link is self-separating when the cartridges are removed during the gun feeding cycle. The metallic link can be used to make up belts for either right-hand or

left-hand feeding of the gun. A cartridge metallic-link filler is used at the end of the belt when it is desired to load belts for either double-loop left-hand feed or double-loop right-hand feed. The purpose of the link-filler is to close the single loop when it is at the end of the belt to prevent snagging in the feed chute (NSN 1305-00-028-4869).

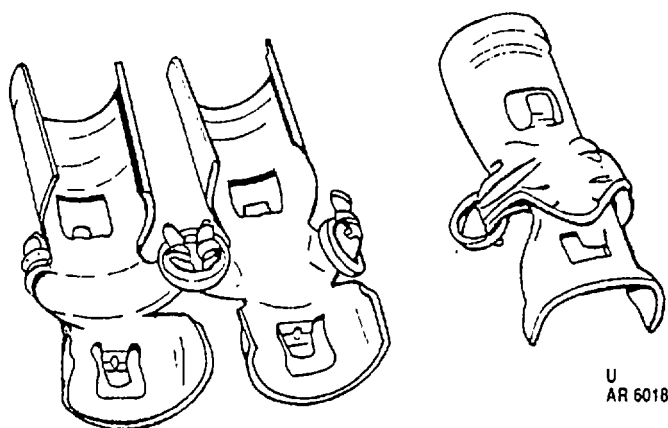


**Figure 18-9. M10 link for 20mm cartridges.**

**Link M12:**

The M12 metallic link (fig. 18-10) is used in belt-fed gas-operated M39 series automatic aircraft guns. The ammunition belt is formed by connecting a specified

number of links together and then inserting a cartridge for each link. The link is self-separating when cartridges are removed during the gun-feeding cycle. The M12 is an end loading link and is linked for either the right-hand or left-hand feeder (NSN 1305-00-541-0021).

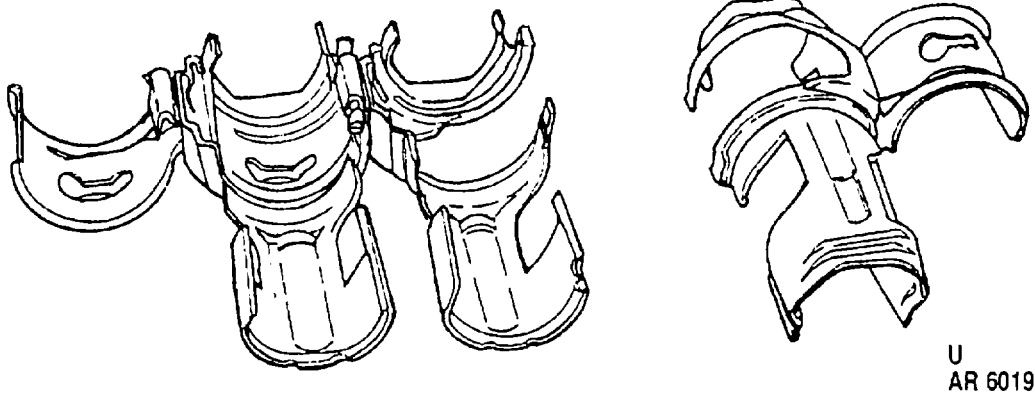


**Figure 18-10. M12 link for 20mm cartridges.**

**Link M14A2:**

The M14A2 link (fig. 18-11) is used primarily for linking 20mm ammunition for belt-fed M61 automatic

guns and loading of ammunition into linkless feed systems used in aircraft and ground defense vehicles. The link is self-separating when cartridges are removed during the feeding cycle (NSN 1305-00-935-9219).

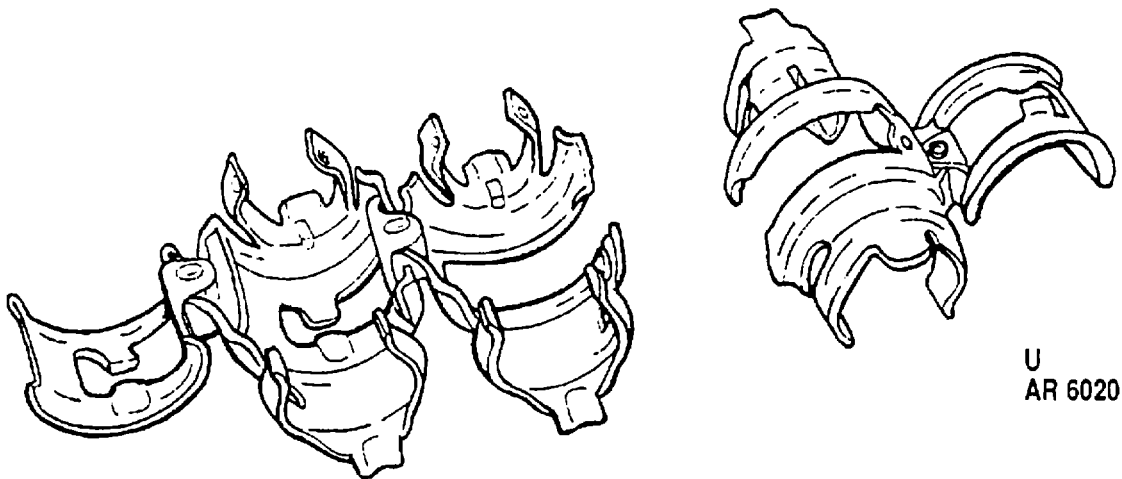


**Figure 18-11. M14A2 link for 20mm cartridges.**

**Link M17A2:**

The M17A2 link (fig. 18-12) is used for linking 20mm ammunition for belt-fed M61 automatic weapon

system in the B52 G & H aircraft. The link is self-separating when the cartridge is removed from the link during the feeding cycle,



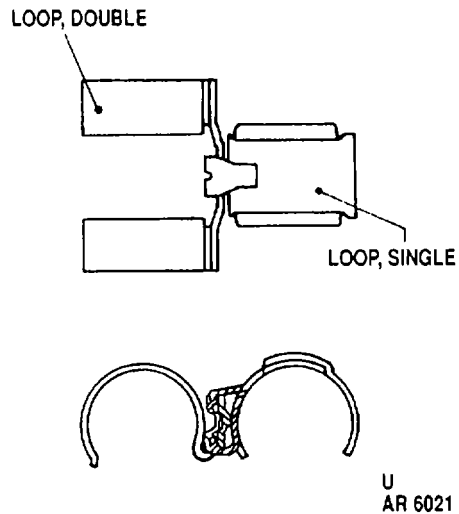
**Figure 18-12. M17A2 link for 20mm cartridges.**

**Link M24 and M22:**

The M24 link (fig. 18-13) is a metallic link for use with the following 20mm cartridges: M206A1 Target-Practice, M599 High-Explosive Incendiary Tracer, and M601 Armor-Piercing Incendiary tracer. The European (German) DMI/DMIA link is also used for these

cartridges. The DMI/DMIA link is used with the HSH20 series. The M22 link is for U.S. Air Force use only. It is used to upload their linkless system. It is reusable and does not disintegrate.

Link, M22 (NSN 1305-00-926-1939).



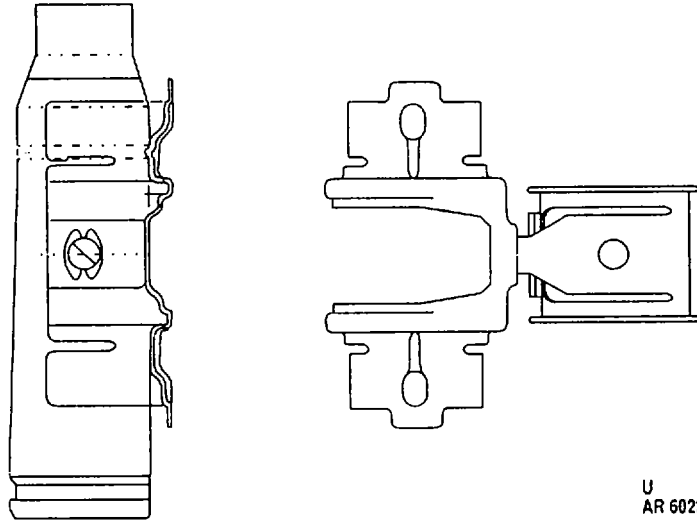
**Figure 18-13. M24 link.**

**THIS PAGE INTENTIONALLY LEFT BLANK**

**ACCESSORIES FOR CARTRIDGES, 25MM****Link M28:**

The M28 link (fig. 18-14) is a two piece assembly intended to hold and link the 25mm ammunition for guiding the ammunition through the weapon system.

The assembly consists of hardened steel main and pivot links hooked together and contoured accordingly for its intended purpose. The Swiss Oerlikon link and the M28 male dimensionally identical.



**Figure 18-14. M28 link for 25mm cartridges.**



**THIS PAGE INTENTIONALLY LEFT BLANK**

ACCESSORIES FOR CARTRIDGES, 30MM

Link M29:

The M29 link (fig. 18-15) is 1050 steel with type Z (link) phosphate coating. It is used for interoperability with the NATO ADEN/DEFA weapon systems (NSN 1305-01-078-5505).

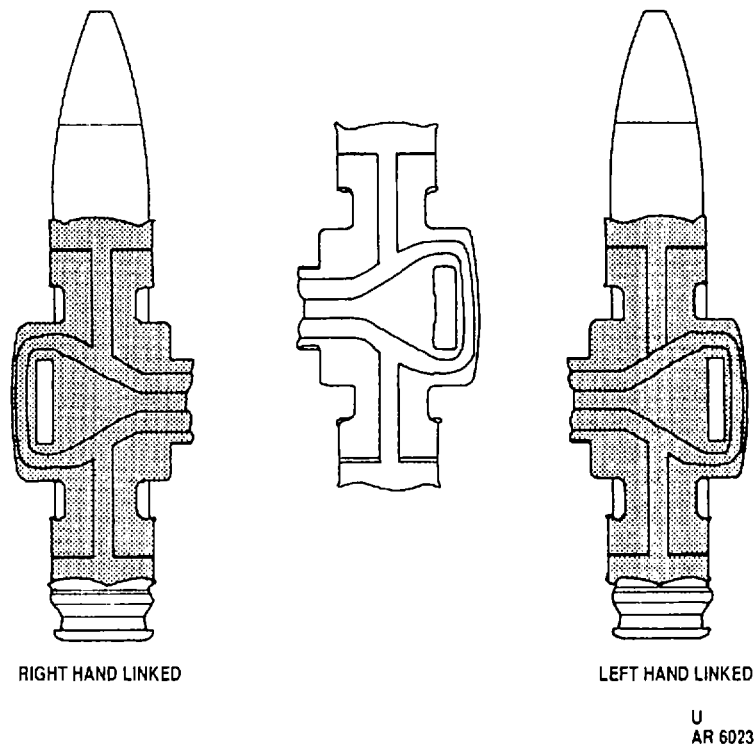


Figure 18-15. M29 link.

**THIS PAGE INTENTIONALLY LEFT BLANK**

TABLE 18-1. SMALL ARMS AMMUNITION

Caliber	Ammunition	Clip	Magazine	Link	Weapon used
5.56mm	M193 Ball M195 Grenade M196 Tracer M197 High Pressure Test M199 Dummy M200 Blank M855 Ball M856 Tracer	10 rd	20 and 30 rd	M27	M231 Submachine Gun for M196 tracer only. M16/M16A1 rifle.  Stoner M63 (Navy) and M249 machine guns.
7.62mm	M59, M80 Ball M61 Armor Piercing M62 Tracer M63 Dummy M82 Blank M60 High Pressure Test M64 Grenade M118 Ball Match M160 Frangible M172 Dummy M852 Ball Match	5 rd	20 rd	M13 open loop for MG	M14 rifle; M60, M73, M219, M240*, and M134 machine guns.  M14 rifle only. M14 rifle only M219 MG only. M60 MG only.

**NOTE**  
 10 rd clip f/M16A1.  
 5 rd clip f/M14.  
 20 rd mag f/M16A1.  
 30 rd mag f/M16A1.  
 20 rd mag f/M14.

Cal. 45	Ball, M1911 Blank M9 High Pressure Test M1		7 rd for pistol 30 rd for sub-machine gun.	N/A	Pistol M1911 and M1911A1. Submachine gun M3 and M3A1.
---------	---	--	---	-----	--

Cal .50	M2 Ball M33 Ball M2 Armor Piercing M8 Armor Piercing Incendiary M20 Armor Piercing Incendiary-Tracer	N/A	N/A	**M15A2 open loop with M85 MG.	M85 Machine Gun.
	M1 Incendiary M23 Incendiary M1 Tracer M10 Tracer M17 Tracer M2 Dummy, High Pressure Test	N/A	N/A	***M2 and M9 closed loops with M2 MG.	M2 Machine Gun only.
	M1 Blank M1A1 Blank with M2 MG. M48A2 Spotter-Tracer	N/A	N/A	***M2 and M9 closed loops	M2 Machine Gun only.
	T249E2 Practice T251 High Pressure Test	N/A N/A	10 and 20 rd 10 and 20 rd	N/A N/A	M8C Spotting Rifle M8C Spotting Rifle

\* M240 Machine Gun only fires the Ball M80 and the Tracer M62.  
 \*\* Link M15A2 Open Loop used with M85 Machine Gun only.  
 \*\*\*Link M2 and M9 Closed Loop used with M2 Machine Gun only.

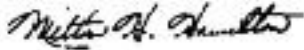
TABLE 18-1. SMALL ARMS AMMUNITION - Continued

Caliber	Ammunition	Link	Weapon (gun)
20mm	HEI-T-SD M246/M246A1 HEI M56A3/M56A4 TP-T M220 TP M55A2 Dummy M51A2	M14 series	M167A1 (M168 Cannon)
20mm	API-T M52E1 API M53 HEI M56A3/M56A4 HEI-T M242 HEI-T-SD M246/M246A1 TP M55A2 TP-T M220 Dummy M51A2	M12 Metallic Link for M39 Cannon. M14A2 for M61 Cannon.	M39, M61
20mm	API-T M52E1 API M53 HEI M56A3/M56A4 HEI-T M242/M242A1 HEI-T-SD M246/M246A1 TP M55A2 TP-T M220 Dummy M51A2	M17A2	M61
20mm	API M53 HEI M56A3/M56A4 TP M55A2 Dummy M51A2	M14A2	M195 Linker-Delinker M25
20mm	HEI-T-SD M246/M246A1 HEI M56A3/M56A4 TP-T M220 TP M55A2 Dummy M51A2	M14A2	168, 197
20mm	AP-T M95 Incendiary M96 TP M204 HEI M210	M10	M3
20mm	AP-T M95 Incendiary M96 HEI M97A2 TP M99A1	M10	M24A1
20mm	HEI-T M599 API-T M601 TP-T M220	M24 or DMI/DMIA	139
25mm	API-T M791 HEI-T M792 TP-T M793	M28	M242
30mm	HEDP M789 TP M788 HEI M799	M29	M230 NATO M552/M553

Order of the Secretary of the Army:

GORDON R. SULLIVAN  
General, United States Army  
Chief of Staff

Official:




MILTON H. HAMILTON  
Administrative Assistant to the  
Secretary of the Army  
06732

Distribution:

To be distributed in accordance with DA Form 12-34E, Block 0847, requirements for IM 43-0001-27.

RECOMMENDED CHANGES TO EQUIPMENT TECHNICAL PUBLICATIONS

 <div style="border: 1px solid black; border-radius: 15px; padding: 5px; display: inline-block; margin-left: 20px;"> <p style="margin: 0;"><i>THEN...JOT DOWN THE DOPE ABOUT IT ON THIS FORM. CAREFULLY TEAR IT OUT, FOLD IT AND DROP IT IN THE MAIL.</i></p> </div>		SOMETHING WRONG WITH PUBLICATION		
		FROM: (PRINT YOUR UNIT'S COMPLETE ADDRESS)		
PUBLICATION NUMBER		DATE SENT		
PUBLICATION DATE		PUBLICATION TITLE		
BE EXACT PIN-POINT WHERE IT IS				
PAGE NO.	PARA- GRAPH	FIGURE NO.	TABLE NO.	<p style="text-align: center; font-weight: bold; margin-top: 0;">IN THIS SPACE, TELL WHAT IS WRONG AND WHAT SHOULD BE DONE ABOUT IT.</p>
PRINTED NAME, GRADE OR TITLE AND TELEPHONE NUMBER			SIGN HERE	

**DA** FORM 1 JUL 79 **2028-2**

PREVIOUS EDITIONS ARE OBSOLETE.

P.S.--IF YOUR OUTFIT WANTS TO KNOW ABOUT YOUR RECOMMENDATION MAKE A CARBON COPY OF THIS AND GIVE IT TO YOUR HEADQUARTERS.

## The Metric System and Equivalents

### Linear Measure

1 centimeter = 10 millimeters = .39 inch  
 1 decimeter = 10 centimeters = 3.94 inches  
 1 meter = 10 decimeters = 39.37 inches  
 1 dekameter = 10 meters = 32.8 feet  
 1 hectometer = 10 dekameters = 328.08 feet  
 1 kilometer = 10 hectometers = 3,280.8 feet

### Weights

1 centigram = 10 milligrams = .15 grain  
 1 decigram = 10 centigrams = 1.54 grains  
 1 gram = 10 decigrams = .035 ounce  
 1 decagram = 10 grams = .35 ounce  
 1 hectogram = 10 decagrams = 3.52 ounces  
 1 kilogram = 10 hectograms = 2.2 pounds  
 1 quintal = 100 kilograms = 220.46 pounds  
 1 metric ton = 10 quintals = 1.1 short tons

### Liquid Measure

1 centiliter = 10 milliliters = .34 fl. ounce  
 1 deciliter = 10 centiliters = 3.38 fl. ounces  
 1 liter = 10 deciliters = 33.81 fl. ounces  
 1 dekaliter = 10 liters = 2.64 gallons  
 1 hectoliter = 10 dekaliters = 26.42 gallons  
 1 kiloliter = 10 hectoliters = 264.18 gallons

### Square Measure

1 sq. centimeter = 100 sq. millimeters = .155 sq. inch  
 1 sq. decimeter = 100 sq. centimeters = 15.5 sq. inches  
 1 sq. meter (centare) = 100 sq. decimeters = 10.76 sq. feet  
 1 sq. dekameter (are) = 100 sq. meters = 1,076.4 sq. feet  
 1 sq. hectometer (hectare) = 100 sq. dekameters = 2.47 acres  
 1 sq. kilometer = 100 sq. hectometers = .386 sq. mile

### Cubic Measure

1 cu. centimeter = 1000 cu. millimeters = .06 cu. inch  
 1 cu. decimeter = 1000 cu. centimeters = 61.02 cu. inches  
 1 cu. meter = 1000 cu. decimeters = 35.31 cu. feet

## Approximate Conversion Factors

<i>To change</i>	<i>To</i>	<i>Multiply by</i>	<i>To change</i>	<i>To</i>	<i>Multiply by</i>
inches	centimeters	2.540	ounce-inches	Newton-meters	.007062
feet	meters	.305	centimeters	inches	.394
yards	meters	.914	meters	feet	3.280
miles	kilometers	1.609	meters	yards	1.094
square inches	square centimeters	6.451	kilometers	miles	.621
square feet	square meters	.093	square centimeters	square inches	.155
square yards	square meters	.836	square meters	square feet	10.764
square miles	square kilometers	2.590	square meters	square yards	1.196
acres	square hectometers	.405	square kilometers	square miles	.386
cubic feet	cubic meters	.028	square hectometers	acres	2.471
cubic yards	cubic meters	.765	cubic meters	cubic feet	35.315
fluid ounces	milliliters	29.573	cubic meters	cubic yards	1.308
pints	liters	.473	milliliters	fluid ounces	.034
quarts	liters	.946	liters	pints	2.113
gallons	liters	3.785	liters	quarts	1.057
ounces	grams	28.349	liters	gallons	.264
pounds	kilograms	.454	grams	ounces	.035
short tons	metric tons	.907	kilograms	pounds	2.205
pound-feet	Newton-meters	1.356	metric tons	short tons	1.102
pound-inches	Newton-meters	.11296			

## Temperature (Exact)

°F	Fahrenheit temperature	5/9 (after subtracting 32)	Celsius temperature	°C
----	------------------------	----------------------------	---------------------	----



